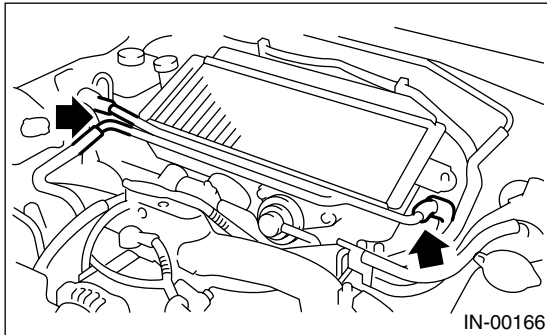


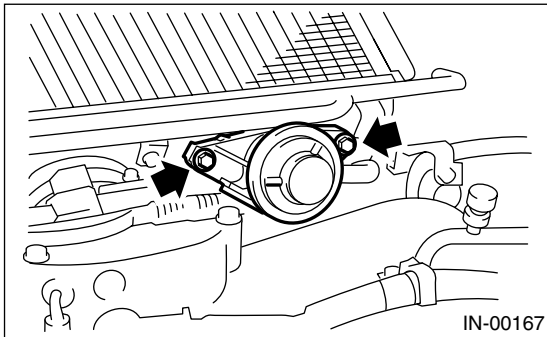
## 5. Intercooler

### A: REMOVAL

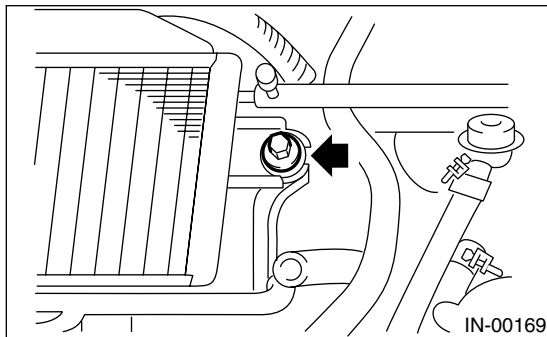
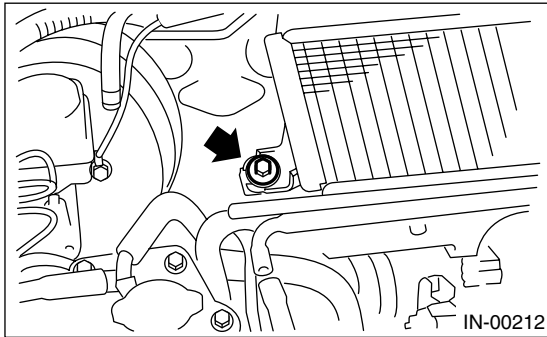
1) Disconnect the air by-pass hoses from intercooler.



2) Separate the air by-pass valve from intercooler.

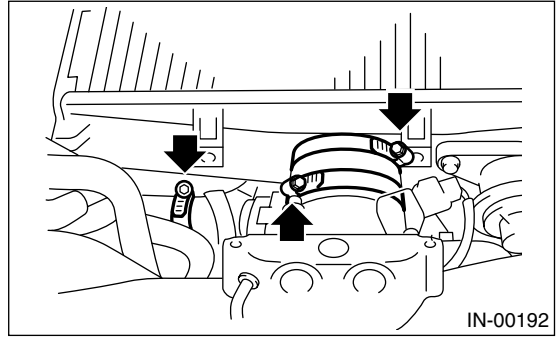


3) Remove the bolts which secure the intercooler to bracket.



4) Separate the intercooler air duct from turbo-charger.

5) Separate the intercooler from throttle body.

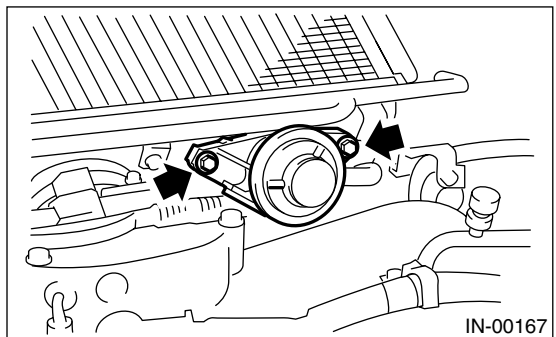
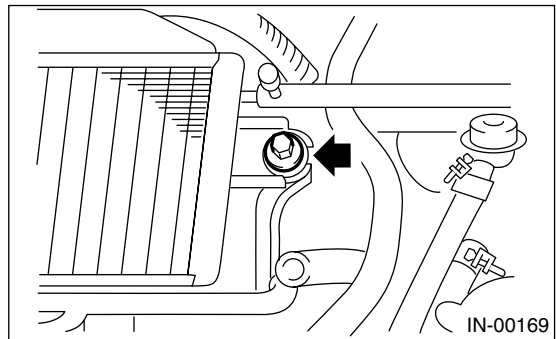
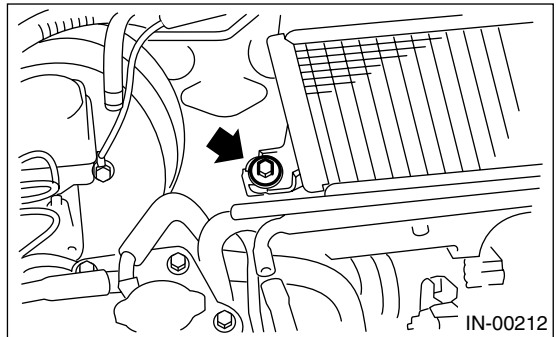


### B: INSTALLATION

Install in the reverse order of removal.

**Tightening torque:**

**16 N·m (1.6 kgf·m, 11.6 ft·lb)**



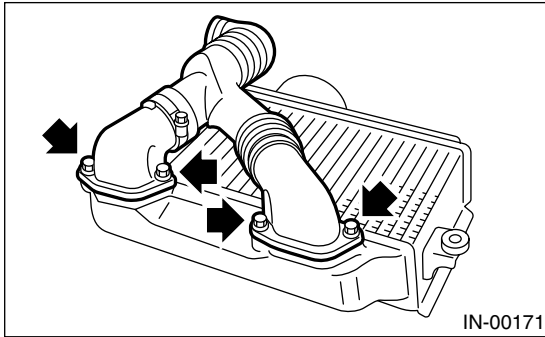
# INTERCOOLER

INTAKE (INDUCTION)

---

## C: DISASSEMBLY

Remove the intercooler ducts from intercooler.



## D: ASSEMBLY

Assemble in the reverse order of disassembly.

*Tightening torque:*

**16 N·m (1.6 kgf-m, 11.7 ft-lb)**

