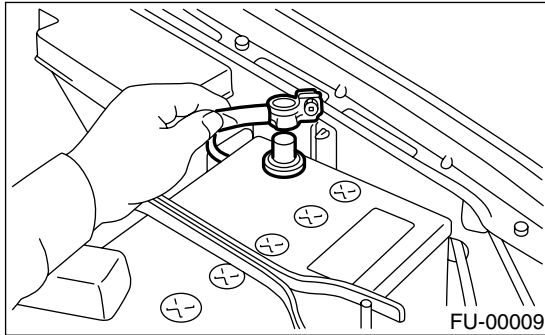


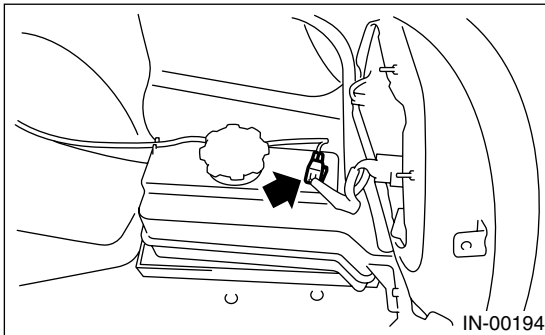
9. Intercooler Water Spray Tank

A: REMOVAL

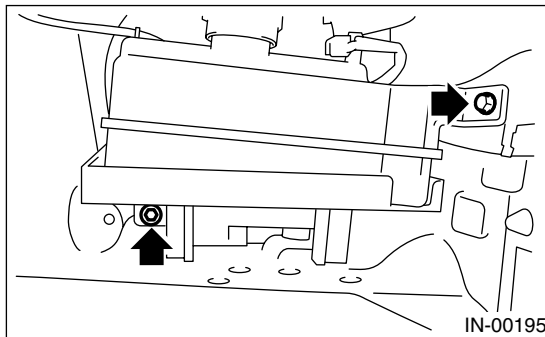
- 1) Disconnect the ground cable from battery.



- 2) Remove the trunk trim. <Ref. to EI-55, REMOVAL, Trunk Trim.>
- 3) Disconnect the water tank connector.



- 4) Remove the two water tank installation bolts.



- 5) Remove the hose between body and water tank, then remove the water tank.

B: INSTALLATION

Install in the reverse order of removal.

Tightening torque:

6.0 N·m (0.61 kgf·m, 4.4 ft·lb)

C: INSPECTION

- 1) Make sure the hose is not deformed, damaged, cracked or clogged.
- 2) Make sure the water tank is not damaged or cracked