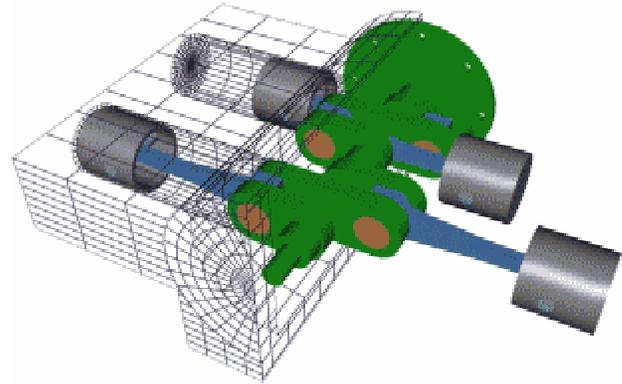


Subaru Impreza Part Numbers

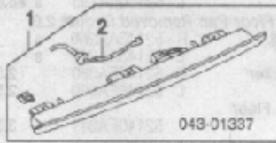
2002 Impreza/Outback

A/C / Heater/Ventilation	634
A/C Refrigerant Capacities	634
ABS/Brakes	635
Air Bag System	635
Air Cleaner	638
Back Window	645
Center Console	641
Clear Coat Identification	632
Cooling	633
Cowl & Dash	640
Cruise Control System	635
Electrical	639
Emission System	639
Engine Under Cover	638
Engine/Trans	637
Engine/Trans Mounts	638
Exhaust	639
Front Bumper	632
Front Door	643
Front Drive Axle	636
Front Fender	634
Front Inner Structure	634
Front Lamps	633
Front Seat	642
Front Steering Linkage/Gear	637
Front Suspension	636
Fuel Tank	648
Grille	633
Hood	633
Information Labels	632
Instrument Panel	640
Liftgate	646
Luggage Lid	646
Paint Code Location	632
Quarter Glass	646
Quarter Panel	645
Rear Body	648
Rear Bumper	649
Rear Door	644
Rear Drive Axle	648
Rear Lamps	649
Rear Seat	642
Rear Suspension	647
Rocker/Pillars/Floor	641
Roof	644
Seat Belts	642
Special Cautions	632
Steering Pump	637
Steering Wheel/Column	637
Turbocharger/Intercooler	639
Underhood Dimensions	634
Wheel	635
Windshield	640



REAR LAMPS Cont'd

HIGH MOUNT STOP LAMP



043-01337

1 Lamp Assy, Stop	84701FA100	#3	199.95
2 Harness, Lamp	84985FA040	#3	22.60

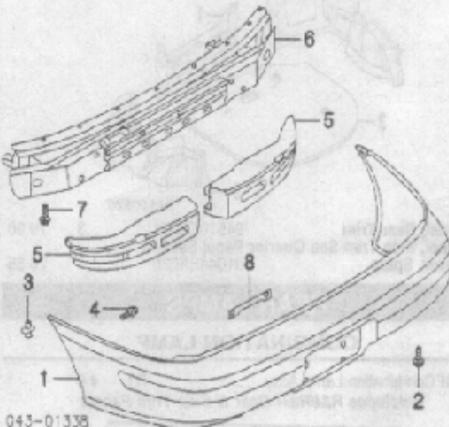
#Included w/Stop Lamp Assy
#Included in R&R Spoiler

REAR BUMPER

Use Procedure Explanations 27 and 28 with the following text.

Refinish Rear Cover	2.5
R&I Bumper Assy	1.0
O/H Bumper Assy (Includes R&I)	1.5

NOTE: All Parts in this section are included in overhaul unless noted otherwise.



043-01338

1 Cover, Rear (P)	57720FA032	1.5	179.95
<i>(P) Paint to Match</i>			
2 Clip, Mounting (18)	57728AC090		.80
3 Screw, Mounting (2)	81910TA100		1.48
4 Bolt, Mounting (2)	01090E126		.40
5 Absorber, Impact	R 57730FA010	IOH	46.42
	L 57730FA020	IOH	46.42
6 Bar, Reinforcement	57760FA151	IOH	199.95
7 Bolt & Washer (2/Side)	R/L 901120047		2.53
8 Bracket, License	757745510		.2

SUBARU IMPREZA/OUTBACK 2002

SECTION INDEX

A/C /Heater/Ventilation	634
A/C Refrigerant Capacities	634
ABS/Brakes	635
Air Bag System	635
Air Cleaner	638
Back Window	645
Center Console	641
Clear Coat Identification	632
Cooling	633
Cowl & Dash	640
Cruise Control System	635
Electrical	639
Emission System	639
Engine Under Cover	638
Engine/Trans	637
Engine/Trans Mounts	638
Exhaust	639
Front Bumper	632
Front Door	643
Front Drive Axle	636
Front Fender	634
Front Inner Structure	634
Front Lamps	633
Front Seat	642
Front Steering Linkage/Gear	637
Front Suspension	636
Fuel Tank	648
Grille	633
Hood	633
Information Labels	632
Instrument Panel	640
Liftgate	646
Luggage Lid	646
Paint Code Location	632
Quarter Glass	646
Quarter Panel	645
Rear Body	648
Rear Bumper	649
Rear Door	644
Rear Drive Axle	648
Rear Lamps	649
Rear Seat	642
Rear Suspension	647
Rocker/Pillars/Floor	641
Roof	644
Seat Belts	642
Special Caution	632
Steering Pump	637
Steering Wheel/Column	637
Turbocharger/Intercooler	639
Underhood Dimensions	634
Wheel	635
Windshield	640

SPECIAL CAUTION

SRS

SUPPLEMENTAL RESTRAINT SYSTEM

Refer to Procedure Explanation 29 for Supplemental Restraint/Air Bag Special Cautions.

PAINT CODE LOCATION

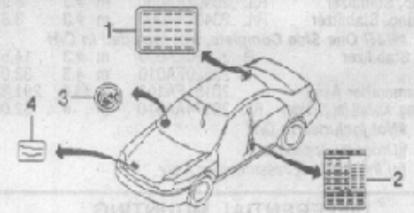
Paint code located on left shock tower.

CLEAR COAT IDENTIFICATION

All colors are clear coat.

INFORMATION LABELS

Illustration Located in Next Column



043-01535

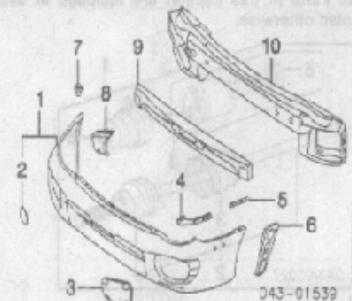
1 Label, Fuel USA			
Impreza			
RS, TS Sport Model	91519GA420		1.40
WRX, WRX Sport Model	1C024AA000		2.28
Outback	91519GA420		1.40
Canada			
Impreza			
RS, TS Sport Model	N.A.		0.00
WRX, WRX Sport Model	N.A.		0.00
Outback	N.A.		0.00
2 Label, Information			
Sedan			
Impreza			
RS Model	28181FE230		2.92
WRX Model	28181FE250		2.92
Wagon			
Impreza			
TS Sport Model	28181FE200		2.92
WRX Sport Model	28181FE240		2.92
Outback	28181FE220		2.92
3 Label, Side Air Bag			
	9E281FC001		2.38
4 Label, A/C			
	7G772FE010		2.47

FRONT BUMPER

Use Procedure Explanations 1 and 28 with the following text.

Refinish Bumper Cover	2.0
Refinish Hole Cover	.2
Refinish Fog Lamp Cover	R/L .4
Refinish Bumper Grille	R/L .5
R&I Bumper Assy	#1.5
O/H Bumper Assy (Includes R&I)	#2.2
<i>#Includes R&I/R&R Fender Liner Assemblies</i>	
Add to R&R or O/H Bumper w/Fog Lamps	.3

NOTE: All Parts in this section are included in overhaul unless noted otherwise.

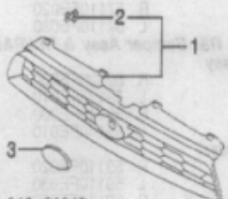


043-01539

1 Cover Assy, Bumper (P)			
Sedan	57704FE020	#1.9	179.95
Wagon	57704FE010	#1.9	179.95
<i>#Includes R&I/R&R Fender Liner Assemblies</i>			
2 Cover, Hole (P)			
Sedan	R 57731FE080		3.06
Wagon	R 57731FE070		3.06
<i>#Included w/Bumper Cover Assy</i>			
<i>(P) Paint to Match</i>			
3 Cover, Fog Lamp			
Impreza			
Blue Black Metallic (Code VI)	R 57731FE200VI	.1	\$2.25
	L 57731FE210VI	.1	\$2.25
Deep Blue Metallic (Code IT)	R 57731FE200IT	.1	\$2.25
	L 57731FE210IT	.1	\$2.25
Green Metallic (Code OI)	R 57731FE200OI	.1	\$2.25
	L 57731FE210OI	.1	\$2.25
Pure White (Code WG)	R 57731FE200WG	.1	\$2.25
	L 57731FE210WG	.1	\$2.25
Red Mica Metallic (Code LV)	R 57731FE200LV	.1	\$2.25
	L 57731FE210LV	.1	\$2.25
Silver Metallic (Code TG)	R 57731FE200TG	.1	\$2.25
	L 57731FE210TG	.1	\$2.25
4 Support, Upper Bumper			
Sedan	R 57707FE220		7.73
	L 57707FE230		7.73
Wagon	R 57707FE200		7.73
	L 57707FE210		7.73
5 Slide, Bumper			
Sedan	R 57765FE020		5.38
	L 57765FE030		5.38
Wagon	R 57765FE000		5.38
	L 57765FE010		5.38
6 Support, Side Bumper			
	R 57707FE180		13.90
	L 57707FE190		13.90

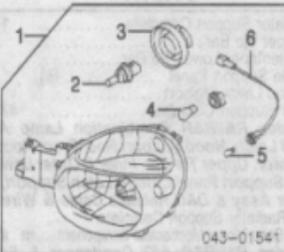
7 Clip, Bumper (16)	909140007	.70
8 Grille, Bumper		
Blue Black Metallic (Code VI)	R 57775FE100VI	.2 69.45
	L 57775FE110VI	.2 69.45
Blue Mica (Code PG)	R 57775FE100PG	.2 69.45
	L 57775FE110PG	.2 69.45
Deep Blue Metallic (Code IT)	R/L 57775FE100IT	.2 69.45
Green Metallic (Code QI)	R 57775FE100QI	.2 69.45
	L 57775FE110QI	.2 69.45
Pure White (Code WG)	R 57775FE100WG	.2 69.45
	L 57775FE110WG	.2 69.45
Red Mica Metallic (Code UV)	R 57775FE100UV	.2 69.45
	L 57775FE110UV	.2 69.45
Silver Metallic (Code TG)	R 57775FE100TG	.2 69.45
	L 57775FE110TG	.2 69.45
Sport Yellow (Code HG)	R 57775FE100HG	.2 69.45
	L 57775FE110HG	.2 69.45
Paint to Match	R 57775FE000	.10 10.82
	L 57775FE010	.10 10.82
9 Absorber, Bumper	57705FE000	1.8 64.95
10 Reinforcement, Bumper	57711FE000	2.2 239.95

GRILLE

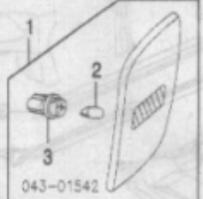
R&I Grille Assy		#.2
<i>#Included in R&R Hood</i>		
		
1 Grille Assy		
Impreza	91121FE000	#.2 129.95
Outback	91121FE030	#.2 d129.95
<i>#Included in R&R Hood</i>		
2 Clip, Grille (4)	909130030	.98
<i>#Included w/Grille Assy</i>		
3 Emblem, Grille	93011FE020	#.1 39.95
<i>#Included in R&R Grille Assy</i>		

FRONT LAMPS

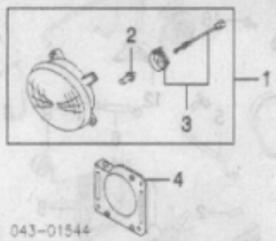
COMBINATION LAMP

Aim Lamps		.4
R&I Combination Lamp Assy	R/L	.3
NOTE: R&R Does Not include aim lamps.		
		
1 Lamp Assy, Combination	R 84001FE020	.3 299.95
	L 84001FE030	.3 299.95
2 Bulb, Headlamp (1)	R/L 84920AC030	#.2 19.95
3 Cover, Headlamp Bulb (1)	R/L 84953FE010	6.55
4 Bulb, Signal (1)	R/L 684102420	#.2 1.50
5 Bulb, Parking Lamp (1)	R/L 784920430	#.2 1.95
<i>#R&R One Side Complete, Included in R&I Combination Lamp Assy</i>		
6 Socket, Bulb (1)	R/L 84931FE100	24.03
<i>#Included w/Combination Lamp Assy</i>		

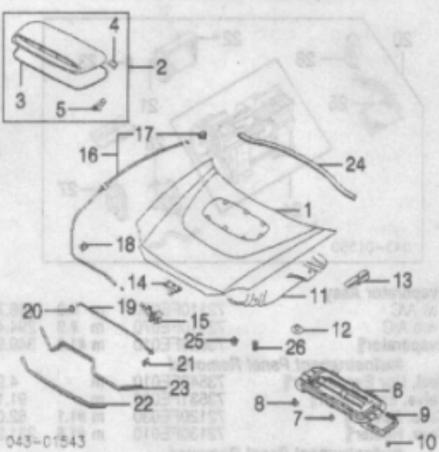
SIDE MARKER LAMP

R&I Side Marker Lamp Assy	R/L	#.2
<i>#Included in R&R Fender</i>		
		
1 Lamp Assy, Side Marker		
Sedan	R 84411FE060	#.2 35.33
	L 84411FE070	#.2 35.33
Wagon	R 84411FE020	#.2 35.33
	L 84411FE030	#.2 35.33
<i>#Included in R&R Fender</i>		
2 Bulb, Side Marker (1)	R/L 784920080	.2 1.50
3 Socket, Bulb (1)	R/L 84931AA130	10.55
<i>#Included w/Side Marker Lamp Assy</i>		

FOG LAMP

R&I Fog Lamp Assy	R/L	#.3
<i>#Included in R&R or O/H Front Bumper</i>		
		
1 Lamp Assy, Fog	R 84501FE080	#.3 151.70
	L 84501FE090	#.3 151.70
<i>#Included in R&R or O/H Front Bumper</i>		
2 Bulb, Fog Lamp (1)	R/L 84920GA400	.2 19.95
3 Socket, Fog Lamp (1)	R/L 84931FE130	35.43
<i>#Included w/Fog Lamp Assy</i>		
4 Bracket, Fog Lamp	R 84927FA001	10.72
	L 84927FA011	10.72

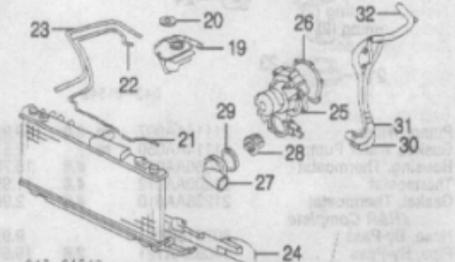
HOOD

<i>Use Procedure Explanations 4 and 28 with the following text.</i>		
Refinish Hood Outside		2.7
Add for Underside		1.3
Refinish Hood Scoop		.8
Refinish Hood Hinge	R/L	.3
R&I Hood Assy		#.4
<i>#Includes Recaulk Hinge Edge</i>		
		
1 Panel, Hood		
Impreza		
RS, TS Sport Model	57229FE000	#1.0 288.15
WRX, WRX Sport Model	57229FE020	#1.4 499.99
Outback	57229FE000	#1.0 288.15
<i>#Includes Recaulk Hinge Edge</i>		
2 Scoop Assy, Hood	WRX, WRX Sport Model	90821FE002NN #.3 168.23
<i>#Included in R&R Hood</i>		
3 Seal, Scoop (1)	90875FE000	6.55
4 Clip, Rear (3)	909130082	1.98
5 Clip, Side (1)	R/L 909140016	.98
<i>#Included w/Hood Scoop Assy</i>		
6 Duct, Upper Scoop	90817FE050	49.00
7 Rivet, Hood Scoop	59130AA000	.84
8 Grommet, Hood Scoop (7)	788025000	1.50
9 Duct, Lower Scoop	90817FE030	31.02
10 Clip, Duct (15)	90826FA000	1.16
11 Insulator, Hood		
Impreza		
RS, TS Sport Model	90815FE020	.4 65.33
WRX, WRX Sport Model	90815FE030	.4 62.08
Outback	90815FE020	.4 65.33
	909130074	.80
12 Clip, Insulator (16)	R 57260AE020	#.3 11.43
	L 57260AE030	#.3 9.80
<i>#w/Hood Removed, Includes Recaulk Edge</i>		
14 Latch, Hood	57310FE010	.3 34.32
15 Striker, Hood	57311AA000	.2 24.70
16 Cable Assy, Hood	57330FA100ML	.7 23.43
17 Handle, Hood (1)	57340FA100ML	.2 6.55
<i>#Included w/Hood Cable Assy</i>		
18 Clip, Cable (3)	57371GA070	1.75
19 Rod, Hood Support	57251FE000	#.2 19.58
20 Grommet, Support	57253AA010	#.2 2.80
<i>#R&R Complete</i>		
21 Clip Hood Rod	57255AE000	1.18
22 Seal, Front Hood	57252FE000	.2 24.52
23 Seal, Rad Panel		
WRX, WRX Sport	57252FE020	.2 12.27
	57252FE010	.2 26.13
24 Seal, Rear Hood	R/L 57254AE020	.1 1.98
25 Stopper, Front Hood	R/L 57254AA011	.1 2.33

COOLING

Use Procedure Explanations 5 and 28 with the following text.

2.0L ENG

		
1 Radiator Assy		
Man Trans	45111FE000	.5 331.07
Auto Trans	45111FE020	.7 375.06
2 Plug, Drain (1)	745124051	9.22
3 O-Ring (1)	745128040	2.12
<i>#Included w/Radiator Assy</i>		
4 Cap, Radiator	45137AE000	13.50
5 Bracket, Upper Rad	R/L 45124FE000	7.20
6 Bracket, Lower Rad	R/L 45124FE010	6.55
7 Cushion, Upper Rad	R/L 45135FE000	1.98
8 Cushion, Lower Rad	R/L 45135AE030	1.98
9 Hose, Upper Rad	45161FE050	#.4 14.73
10 Hose, Lower Rad	45161AE020	#.4 13.53
<i>#R&R Both .6</i>		
11 Hose, Trans Fluid	R 45520FE040	#.5 37.57
	L 45520FE050	#.5 19.58
<i>#R&R Complete</i>		
12 Pipe, Trans	45522FE010	.7 44.12
13 Blade, Fan	45121FE000	#.6 29.42
14 Shroud, Fan	45122FE000	#.6 79.95
15 Motor, Fan	45131FE010	#.6 199.95
<i>#R&R Complete, w/Radiator Removed Deduct .4</i>		
16 Tank Assy, Coolant	45150AE000	.3 44.12
17 Cap, Coolant Tank (1)	45153AA001	4.37
18 Hose, Coolant Tank (1)	45162AE020	5.72
<i>#Included w/Coolant Tank Assy</i>		
		
19 Tank, Radiator	21132AA074	.4 100.93
20 Cap, Radiator Tank	45137AE000	13.50
21 Pipe, Inlet Tank	45175AE000	.4 31.85
22 Hose, Inlet Tank	45162AE000	#.3 14.68
23 Hose, Outlet Tank	45162AE010	#.3 19.58
<i>#R&R Complete</i>		
24 Cover, Lower Radiator	45134FE000	21.23
25 Pump, Water	21111AA025	m 3.0 69.95
26 Gasket, Water Pump	21114AA050	m 2.57
27 Housing, Thermostat	11060AA060	#.6 30.72
28 Thermostat	21200AA072	#.6 11.95
29 Gasket, Thermostat	21236AA010	#.6 2.98
<i>#R&R Complete</i>		
30 Hose, Inner By-Pass	807615182	5.88
31 Hose, Outer By-Pass	807612011	6.58
32 Pipe, By-Pass	14065AA201	2.6 62.87

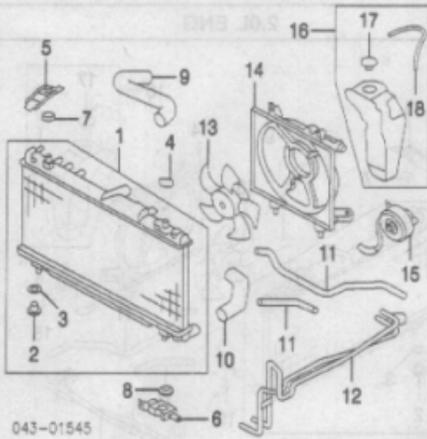
2.5L ENG

Illustration Located in Next Column

1 Radiator Assy		
Man Trans	45111FE080	.5 331.07
Auto Trans	45111FE050	.7 375.06
2 Plug, Drain (1)	745124051	9.22
3 O-Ring (1)	745128040	2.12
<i>#Included w/Radiator Assy</i>		

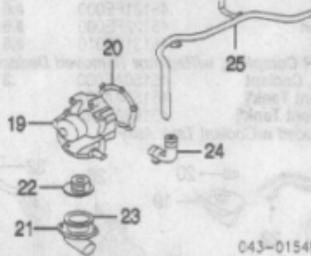
COOLING Cont'd

2.5L ENG Cont'd



043-01545

4 Cap, Radiator	45137AE000		13.50
5 Bracket, Upper Rad	R/L 45124FE000		7.20
6 Bracket, Lower Rad	R/L 45124FE010		6.55
7 Cushion, Upper Rad	R/L 45135FE000		1.98
8 Cushion, Lower Rad	R/L 45135AE030		1.98
9 Hose, Upper Rad	45161FE000	#.4	14.73
10 Hose, Lower Rad	45161AE010	#.4	13.53
#R&R Both .6			
11 Hose, Trans Fluid	R 45520FE000	#.5	34.32
	L 45520FE010	#.5	16.33
#R&R Complete			
12 Pipe, Trans	45156FA050	.7	44.55
13 Blade, Fan	45121FE000	#.6	29.42
14 Shroud, Fan	45122FE000	#.6	79.95
15 Motor, Fan	45131FE000	#.6	199.95
#R&R Complete, w/Radiator Removed Deduct .4			
16 Tank Assy, Coolant	45150AE000	.3	44.12
17 Cap, Coolant Tank	45153AA001		4.37
18 Hose, Coolant Tank	45162AE020		5.72
†Included w/Coolant Tank Assy			



043-01548

19 Pump, Water	21111AA007	m 3.0	69.95
20 Gasket, Water Pump	21114AA050	m	2.57
21 Housing, Thermostat	11060AA070	m	19.70
22 Thermostat	21200AA072	#.6	11.95
23 Gasket, Thermostat	21236AA010	#.6	2.98
#R&R Complete			
24 Hose, By-Pass	807615081		9.95
25 Pipe, By-Pass	14065AA121	2.6	16.50

A/C REFRIGERANT CAPACITIES

Information not available at time of publication.

A/C /HEATER/VENTILATION

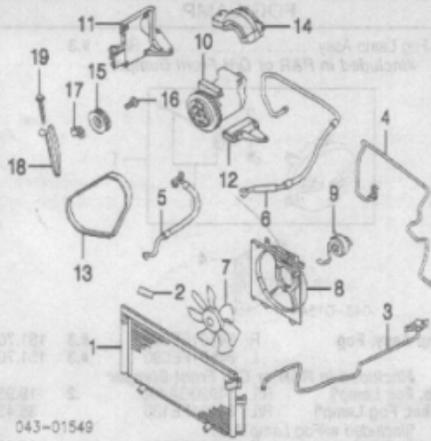
Use Procedure Explanation 6 with the following text.

Evacuate & Recharge	m 1.4
Refrigerant Recovery	m .3

NOTE: R&R Does Not include recover, evacuate and recharge system.

†Illustration Located in Next Column

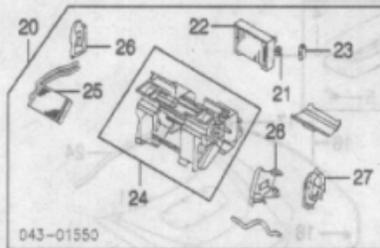
1 Condenser	73210FE000	m .6	319.95
2 Label, A/C-See Information Labels Section			
3 Pipe, Condenser	73431FE010	m .5	73.53
4 Pipe, Evaporator	73431FE030	m .5	45.75
5 Hose, Discharge	73421FE000	m .5	161.23
6 Hose, Suction	73422FE010	m .5	217.32
7 Blade, Fan	45121KE000	#.6	29.42
8 Shroud, Fan	73313FE000	#.6	49.00
9 Motor, Fan			
Impreza			
RS, TS Sport Model	45131FE000	#.6	199.95
WRX, WRX Sport Model	45131FE010	#.6	199.95
Outback	45131FE000	#.6	199.95



043-01549

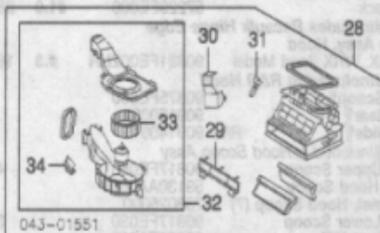
#R&R Complete			
10 Compressor, A/C	73111FE020	m .9	519.96
11 Bracket, Right Compressor	73631FA110		150.73
12 Bracket, Left Compressor	73632FA111		53.80
13 Belt, A/C	73323AC000	.5	9.95
14 Cover, A/C Belt	73741FE000		00.00
15 Pulley, Idler	73131FC000	#.7	32.67
16 Shaft, Pulley	73132AC000	#.7	8.82
17 Adjuster, Pulley	73134AC001	#.7	6.54
18 Bracket, Adjuster	73610AC000	#.7	21.50
19 Bolt, Adjuster	73790AC100	#.7	2.40

#R&R Complete, Includes R&R A/C Belt



043-01550

20 Evaporator Assy w/ A/C	72110FE030	m #.9	438.70
w/o A/C	72110FE070	m #.9	294.40
21 Evaporator	73523FE010	m #1.3	349.95
#w/Instrument Panel Removed			
22 Seal, Up Evaporator	73542FE010	m	4.90
23 Valve, Expansion	73531FE000	m	91.15
24 Case, Heater	72120FE030	m #1.1	62.08
25 Core, Heater	72130FE010	m #1.5	231.33
#w/Instrument Panel Removed			
26 Duct, Heater	R 72127FE020	m	10.62
	L 72127FE030	m	10.62
27 Cover, Heater Core	72126FE010	m	10.62
†Included w/Evaporator Assy			



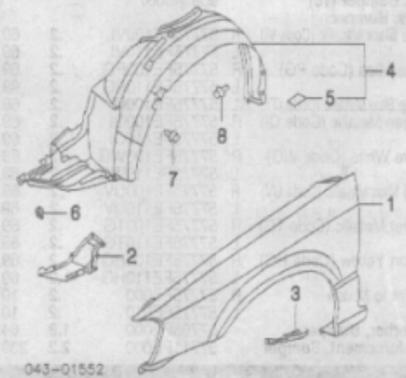
043-01551

28 Case Assy, Blower	72210FE020	m 1.0	349.95
29 Cover, Front	72254FE000	m	10.62
30 Cover, Side	R 72254FE020	m	10.62
31 Link, Blower	72215FE020	m	8.18
†Included w/Blower Case Assy			
32 Motor Assy, Blower	72223FE030	m 1.2	279.95
33 Fan, Blower	72212FE010	m 1.3	22.05
34 Resistor, Blower	72226FE000	m	37.57
†Included w/Blower Motor Assy			

FRONT FENDER

Use Procedure Explanations 7 and 28 with the following text.

Refinish Fender Outside	R/L 1.9
Add to Edge	R/L .5
R&I Fender	R/L #2.5
†Includes R&I Bumper Assy & R&I/R&R Combination Lamp Assy	



043-01552

1 Fender			
Sedan	R 57110FE060	#2.8	139.95
	L 57110FE070	#2.8	139.95
Wagon	R 57110FE020	#2.8	139.95
	L 57110FE030	#2.8	139.95
†Includes R&I Bumper Assy & R&I/R&R Combination Lamp Assy			
2 Plate, Fender	R 59123FE000		7.37
	L 59123FE010		7.37
3 Cover, Inner	R 59140FE000		4.07
	L 59140FE010		4.07
4 Liner Assy, Fender			
Sedan	R 59110FE020	.4	37.50
	L 59110FE030	.4	37.50
Wagon	R 59110FE000	.4	37.50
	L 59110FE010	.4	37.50
5 Clip, Liner† (4/Side)	R/L 59122FA010		1.48
†Included w/Fender Liner Assy			
6 Clip, Front†	R/L 909130033		.98
7 Clip, Center†	R/L 57728AC090		.80
8 Clip, Rear†	R/L 759114020		.92
†As Required			

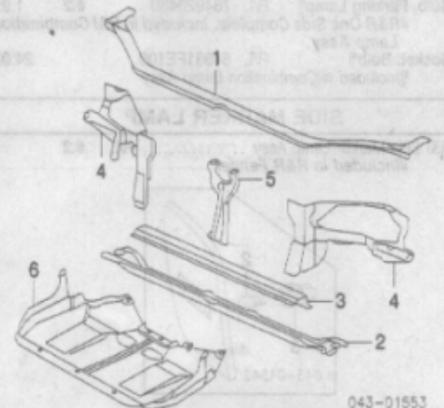
UNDERHOOD DIMENSIONS

Information not available at time of publication.

FRONT INNER STRUCTURE

Use Procedure Explanations 8 and 28 with the following text.

FRONT	
Refinish Radiator Support Complete	1.5
Refinish Upper Tie Bar	.5
Refinish Outer/Inner Lower Tie Bar	.5
Refinish Side Support Panel	R/L .5
Refinish Hood Latch Support	.3
R&R Radiator Support Complete	#7.0
†Includes R&I/R&R Combination Lamp Assemblies, Hood Latch, Hood Support Rod, Front Hood Stoppers, Radiator, Upper Tie Bar, Inner & Outer Lower Tie Bars, Side Support Panels, Hood Latch Support, Eng Under Cover Assy & D&C Release Cable & Wire Harness	
Add to R&R Radiator Support Complete	
To R&I/R&R Base Model Mechanical Component	m #.5
†Includes R&I/R&R A/C Condenser & Front Impact Sensors	
w/Auto Trans	.2
To Aim Lamps	.4
Evacuate & Recharge System	m 1.4
Refrigerant Recovery	m .3



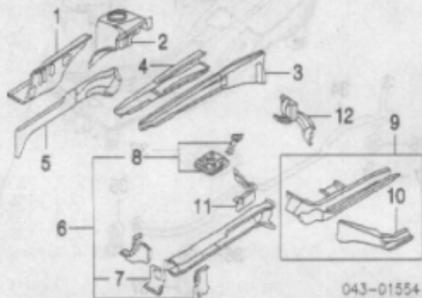
043-01553

1 Bar, Upper Tie	53060FE000	s #1.5	69.95
†Deduct .5 w/Each Side Support Panel Removed			
2 Bar, Outer Lower Tie	51231FE000	s #2.0	19.58
3 Bar, Inner Lower Tie	53060FE020	s #2.0	69.95
†R&R Complete, Deduct .5 w/Each Side Support Panel Removed			
4 Panel, Side Support	R 53020FE000	s 1.5	69.95
	L 53020FE010	s 1.5	69.95

5 Support, Hood Latch	53040FE000	.3	49.95
6 Cover Assy, Eng Under	56410FE040	.2	81.68
Clip, Cover*	R/L 909130062		1.58
*Included w/Eng Under Cover Assy			

SIDE

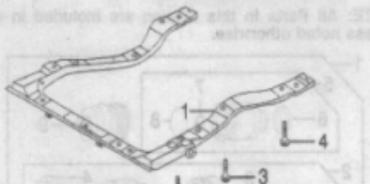
Refinish Apron Assy	R/L	1.0
Refinish Front Apron	R/L	.5
Refinish Rear Apron	R/L	.5
Refinish Inner/Outer Apron Reinf	R/L	.5
Refinish Front Rail Assy	R/L	1.0
Refinish Front Rail Plate	R/L	.3
Refinish Rear Rail Assy	R/L	.5



043-01554

1 Apron, Front	R 51602FE020	s #4.5	299.98
	L 51610FE010	s #4.5	299.98
#w/Side Support Panel Removed Deduct .5			
2 Apron, Rear	R 51625FE000	s #3.0	128.97
	L 51625FE010	s #3.0	128.97
#w/Front Apron Removed			
3 Reinf, Outer Apron	R 51021FE000	s #1.5	42.47
	L 51021FE010	s #1.5	42.47
4 Reinf, Inner Apron	R 51610FE020	s #1.5	69.98
	L 51610FE030	s #1.5	69.98
#R&R One Side Complete			
5 Plate, Closing	R 51615FE000	s 1.5	299.98
	L 51615FE010	s 1.5	299.98
6 Rail Assy, Front	R 51620FE020	s #7.5	154.22
	L 51620FE030	s #7.5	154.22
#w/Side Support Panel Removed Deduct .5, w/Front Apron Removed Deduct 3.0			
7 Plate, Front Rail*	R 51635FE000	.5	24.52
	L 51635FE010	.5	24.52
8 Bracket, Washer Tank*	L 51625FE160	.5	32.67
*Included w/Front Rail Assy			
9 Rail Assy, Rear	R 51620FE040	s #5.5	203.30
	L 51620FE050	s #5.5	203.30
#R&R Front & Rear Rail Assemblies 9.5			
10 Reinf, Dash*	R 51630FE040	s	21.23
	L 51630FE050	s	21.23
*Included w/Rear Rail Assy			
11 Frame, Dash	R 51620FE150		24.52
	L 51620FE160		24.52
12 Bracket, Stopper	R 51625FE310		63.70

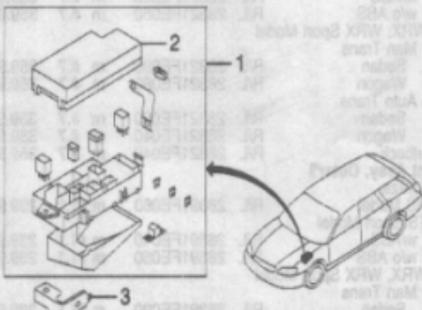
SUB-FRAME



043-01622

1 Sub-Frame	50515FE010		327.67
2 Bolt, Front (2/Side)	R/L 901000224		5.88
3 Bolt, Center	R/L 901000223		5.88
4 Bolt, Rear	R/L 901000202		1.78

ELECTRICAL COMPONENTS



043-01378

1 Box, Fuse	82231FE000	m	100.50
2 Cover, Fuse Box-Serviced w/Fuse Box			
3 Bracket, Fuse Box	81042AA020		3.98

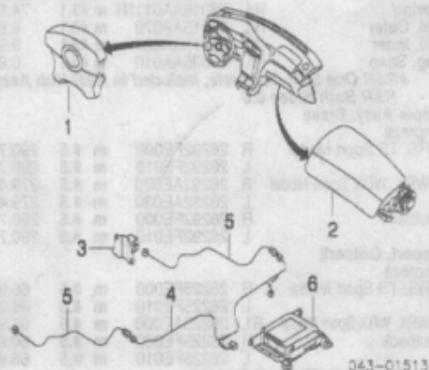
AIR BAG SYSTEM

FRONT

Disable & Enable Air Bag System	m	.3
Diagnose Air Bag System (If Required)	m	1.1

NOTE 1: R&R Does Not include disable and enable or diagnose Air Bag System.

NOTE 2: Refer to Procedure Explanation 30 for Supplemental Restraint/Air Bag Systems Component Inspection and Replacement information.



043-01513

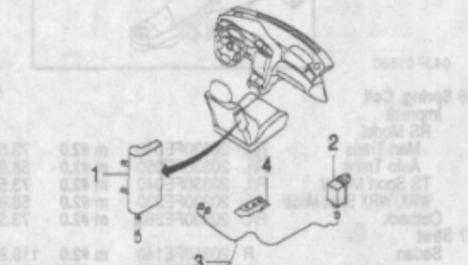
1 Module, Driver Air Bag	Impreza			
	RS, TS Sport Model	98211FE040ML	m .3	704.87
	WRX, WRX Sport Model	98211FE050ML	m .3	667.08
	Outback	98211FE040ML	m .3	704.87
2 Module, Passenger Air Bag		98271FE010OE	m #3.0	893.82
#Includes R&I Instrument Panel				
3 Sensor, Front Impact	R	98231FE020	m 1.6	99.98
	L	98231FE030	m 1.6	99.98
4 Harness, Rear Air Bag Wiring		N.A.	m	0.00
5 Harness, Front Air Bag Wiring	R/L	N.A.	m	0.00
6 Control, Air Bag Module	Impreza			
	RS, TS Sport Model	98221FE020	m .7	699.99
	WRX, WRX Sport Model			
	w/Side Air Bag	98221FE030	m .7	699.99
	w/o Side Air Bag	98221FE020	m .7	699.99
	Outback	98221FE020	m .7	699.99
Clockspring*-See Steering Wheel/Column Section				
*Serviced w/Combination Switch				

SIDE

Disable & Enable Air Bag System	m	.3
Diagnose Air Bag System (If Required)	m	1.1

NOTE 1: R&R Does Not include disable and enable or diagnose Air Bag System.

NOTE 2: Refer to Procedure Explanation 30 for Supplemental Restraint/Air Bag Systems Component Inspection and Replacement information.



043-01512

1 Module, Side Air Bag	R	98201FE000	m 1.2	498.83
	L	98201FE010	m 1.2	498.83
2 Sensor, Side Air Bag	R	98235FE020	m 1.2	469.91
	L	98235FE030	m 1.2	469.91
3 Harness, Air Bag Wiring		N.A.	m	0.00
4 Bracket, Harness		N.A.	m	0.00

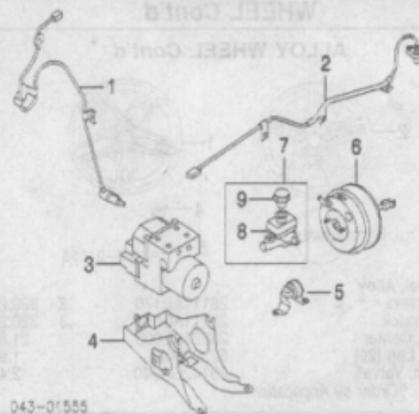
ABS/BRAKES

Bleed System	m	.6
--------------	---	----

NOTE: R&R Does Not include bleed system.

Illustration Located in Next Column

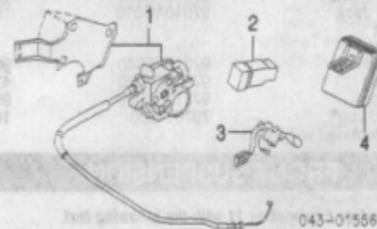
1 Sensor, Front ABS	R	27540AE000	m .6	129.95
	L	27540AE010	m .6	129.95
2 Sensor, Rear ABS	R	27540FE040	m .6	149.98
	L	27540FE050	m .6	149.98



043-01555

3 Actuator, ABS				
	Man Trans	27539FE040	m 1.0	759.09
	Auto Trans	27539FE030	m 1.0	759.09
4 Bracket, Actuator		27535AC100	#2	36.05
#w/Actuator Removed				
5 G Sensor, ABS		27540FA021	m .6	276.05
6 Booster, Brake	Impreza			
	RS, TS Sport Model	26402FE150	m #1.0	288.80
	WRX, WRX Sport Model	26402FE130	m #1.0	288.80
	Outback	26402FE150	m #1.0	288.80
#Includes R&R Brake Master Cylinder Assy				
7 Cylinder Assy, Brake Master	w/ABS	26401AC220	m .6	d99.95
	w/o ABS	26401FC010	m .6	99.95
8 Reservoir, Brake Master Cyl*		26451AC000	m	19.70
9 Cap, Reservoir*		26453AC000		9.95
*Included w/Brake Master Cylinder Assy				

CRUISE CONTROL SYSTEM



043-01556

1 Actuator/Cable	Impreza			
	RS, TS Model	87012FE000	m .5	255.37
	WRX Model	87012FE020	m .5	255.37
	Outback	87012FE000	m .5	255.37
2 Switch, Main Cr/Cont		83001FE040	m 3	34.32
3 Switch, Cruise Control*-See Steering Wheel/Column Section	#Included w/Steering Wheel Assy			
4 Module, Cruise Control	Impreza			
	RS, TS Sport Model	87022FE000	m .5	279.95
	WRX, WRX Sport Model	87022FE020	m .5	279.95
	Outback	87022FE000	m .5	279.95

WHEEL

Use Procedure Explanation 10 with the following text.

STEEL WHEEL

Refinish Wheel		.3
Add to R&I Spare Wheel & Tire Assy		.2



043-01557

1 Wheel, Steel	28111AE160	.3	116.45
2 Cover, Wheel	28111AC280		60.00
3 Nut, Lug (20)	623006021		1.95
4 Stem, Valve*	23142GA040		2.43

*Order by Application

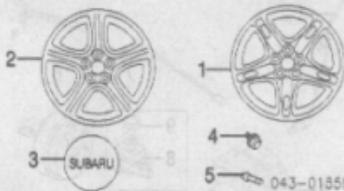
ALLOY WHEEL

Add to R&I Spare Wheel & Tire Assy

SUBARU IMPREZA/OUTBACK 2002

WHEEL Cont'd

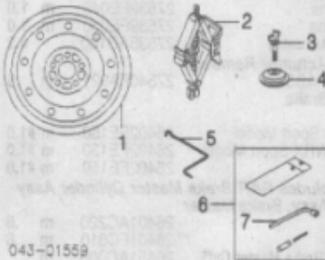
ALLOY WHEEL Cont'd



Wheel, Alloy			
1 Impreza	28111AE170	.3	320.28
2 Outback	28111AE070	.3	320.28
3 Cap, Center	28821AE000		21.80
4 Nut, Lug (20)	623006021		1.95
5 Stem, Valve ¹	23142GA040		2.43

¹Included w/Control Arm Assy

SPARE WHEEL & HARDWARE



1 Wheel, Spare ¹	28111AA111		89.95
¹ Included w/Tool Kit			
2 Jack	97031FE000		77.67
3 Bolt, Retainer	97052AA001		8.48
4 Retainer, Wheel	97052PA000		12.48
5 Handle, Jack	97040AC010		7.35
6 Tool Kit			
Impreza			
Sedan	97010FE040		96.20
Wagon	97010FE030		47.37
Outback	97010FE040		96.20
7 Wrench, Lug ¹	797014000		16.72

¹Included w/Tool Kit

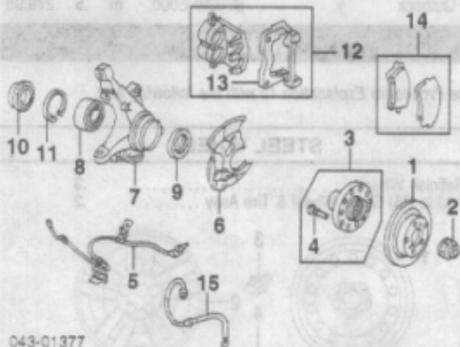
FRONT SUSPENSION

Use Procedure Explanation 11 with the following text.

R&I Suspension (One Side)	R/Lm	1.5
O/H Suspension (Includes R&I)		
One Side	R/Lm	4.3
Both Sides	m	7.9
Adjust Four Wheel Alignment	m	1.6
Adjust Front Alignment	m	1.3
Bleed Brake System	m	.6

NOTE 1: R&I/R&R or O/H Does Not include alignment or bleed brake system.

NOTE 2: All Parts in this section are included in overhaul unless noted otherwise.



043-01377

1 Rotor, Brake			
Impreza			
RS, TS Sport Model	R/L	26310AA092	m #.6 69.95
WRX, WRX Sport Model	R/L	26310AC040	m #.6 69.95
Outback	R/L	26310AA092	m #.6 69.95
#R&R Both Sides 1.0			
2 Nut, Axle	R/L	28044AA000	m 4.37
3 Hub Assy	R/L	28362AE000	m #3.1 102.48
#R&R Both Sides 6.0			
4 Bolt, Hub ¹	R/L	28055AA002	m 2.95

¹Included w/Hub Assy

5 Sensor, Front ABS-See ABS/Brakes Section			
6 Shield, Splash			
Impreza			
RS, TS Sport Model	R	26290AC080	m #3.1 19.98
	L	26290AC090	m #3.1 19.98
WRX, WRX Sport Model	R	26290AC100	m #3.1 19.78
	L	26290AC110	m #3.1 19.78
Outback	R	26290AC080	m #3.1 19.98
	L	26290AC090	m #3.1 19.98

7 Knuckle, Steering			
w/ABS	R	28012FC000	m #3.1 127.58
	L	28012FC050	m #3.1 127.58
w/o ABS	R	28012FC040	m #3.1 127.58
	L	28012FC050	m #3.1 127.58
8 Bearing	R/L	28016AA011NT	m #3.1 74.50
9 Seal, Outer	R/L	28015AA070	m #3.1 8.83
10 Seal, Inner	R/L	28015AA021	m #3.1 9.95
11 Ring, Snap	R/L	28035AA010	m #3.1 6.95

#R&R One Side Complete, Included in R&R Hub Assy, R&R Both Sides 6.0

12 Caliper Assy, Brake			
Impreza			
RS, TS Sport Model	R	26292FE000	m #.5 290.77
	L	26292FE010	m #.5 290.77
WRX, WRX Sport Model	R	26292AE020	m #.5 279.40
	L	26292AE030	m #.5 279.40
Outback	R	26292FE000	m #.5 290.77
	L	26292FE010	m #.5 290.77

13 Support, Caliper ¹			
Impreza			
RS, TS Sport Model	R	26225FE000	m #.5 66.98
	L	26225FE010	m #.5 66.98
WRX, WRX Sport Model	R/L	26225AE000	m #.5 66.98
Outback	R	26225FE000	m #.5 66.98
	L	26225FE010	m #.5 66.98

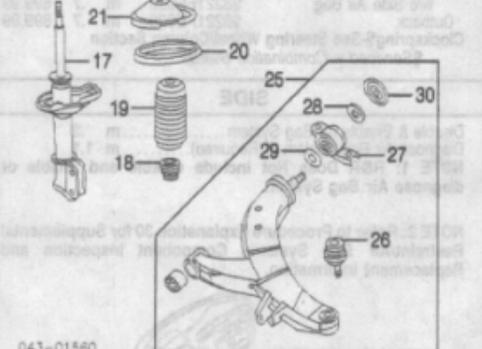
¹Included w/Brake Caliper Assy
#R&R Both Sides .8, w/Rotor Removed Deduct .3

14 Pad Set, Brake			
Impreza			
RS, TS Sport Model		26296FE020	m #1.0 79.95
WRX, WRX Sport Model		26296AE081	m #1.0 88.75
Outback		26296FE020	m #1.0 79.95

#Deduct .5 for each Caliper Removed

15 Hose, Brake			
Impreza			
RS, TS Sport Model	R	26540AE000	m #.3 32.67
	L	26540AE020	m #.3 32.67

#w/Caliper Removed Deduct .2



043-01560

16 Spring, Coil			
Impreza			
RS Model	R/L	20330FE040	m #2.0 73.53
Man Trans	R/L	20330FE050	m #2.0 58.83
Auto Trans	R/L	20330FE040	m #2.0 73.53
TS Sport Model	R/L	20330FE230	m #2.0 58.83
WRX, WRX Sport Model	R/L	20330FE260	m #2.0 73.53
Outback	R/L	20330FE260	m #2.0 73.53

17 Strut			
Sedan	R	20310FE140	m #2.0 119.95
	L	20310FE150	m #2.0 119.95
Wagon	R	20310FE040	m #2.0 119.95
	L	20310FE050	m #2.0 119.95
18 Bumper	R/L	20321AA201	m #2.0 32.00
19 Cover, Strut	R/L	20322AA000	m #2.0 19.83
20 Seat, Lower	R/L	20325FA000	m #2.0 17.78
21 Mount, Lwr Strut	R/L	20323FA000	m #2.0 20.45
22 Spacer, Strut	R/L	20326AA000	m #2.0 11.18
23 Mount, Uptr Strut			
Impreza			
RS, TS Sport Model	R/L	20320AA100	m #2.0 54.95
WRX, WRX Sport Model	R/L	20320AA110	m #2.0 69.95
Outback	R/L	20320AA110	m #2.0 69.95

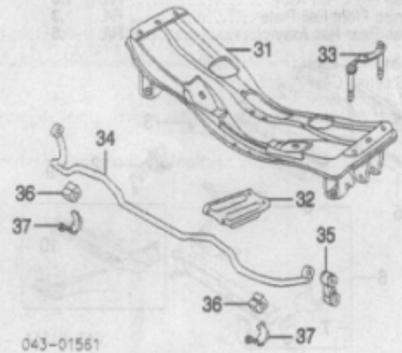
#R&R One Side Complete, w/Knuckle Removed Deduct 1.5, R&R Both Sides 3.8

24 Seal, Dust	R/L	20326AA120	m 6.07
25 Arm Assy, Control			
Impreza			
RS Model	R	20202FE140	m #1.0 266.37
	L	20202FE150	m #1.0 266.37
TS Sport Model	R	20202FE040	m #1.0 225.72
	L	20202FE050	m #1.0 225.72
WRX, WRX Sport Model	R	20202FE160	m #1.0 225.72
	L	20202FE170	m #1.0 225.72
Outback	R	20202FE040	m #1.0 225.72
	L	20202FE050	m #1.0 225.72

#w/Knuckle Removed Deduct .6, R&R Both Sides 1.8			
26 Joint, Ball ¹	R/L	21067GA050	m #.3 29.98
#w/Control Arm Assy Removed			
27 Bushing, Rear Arm ¹	R	20201FA050	m #.3 97.88
	L	20201FA060	m #.3 97.88
28 Spacer, Outer ¹	R/L	20202AA010	m #.3 1.93
29 Stopper, Inner ¹	R/L	20202AA000	m #.3 1.93
30 Washer, Arm ¹	R/L	20206AA000	m #.3 8.13

¹Included w/Control Arm Assy

#R&R One Side Complete, w/Suspension Arm Assy Removed



043-01561

31 Crossmember, Suspension			
Impreza			
RS, TS Sport Model		20101FE010	m #5.8 291.33
WRX, WRX Sport Model		20101FE000	m #5.8 291.33
Outback		20101FE010	m #5.8 291.33

#Includes R&R Suspension Arm Assemblies, Stabilizer Bar, Front Exhaust Pipe, R&I Steering Gear Assy & Engine Mounts, Not Included in O/H

32 Plate, Jack			
Impreza			
RS Model	R/L	20510AA000	m 13.33
Wagon	R/L	20510AE020	m 12.75

33 U-Bolt			
Impreza			
Sedan			
RS Model		20401FE030	m #.6 91.15
WRX Model		20401FE000	m #.6 91.15

34 Bar, Stabilizer			
Impreza			
TS Sport Model		20401FE020	m #.6 91.15
WRX Sport Model		20401FE010	m #.6 91.15
Outback		20401FE020	m #.6 91.15

#Includes R&R Stabilizer Brackets, Bushings & Links, Not Included in O/H

35 Link, Stabilizer			
Sedan	R/L	20470FE000	m #.3 27.77
Wagon	R/L	20420AA004	m #.3 51.70

#Not Included in O/H

36 Bushing, Stabilizer	R/L	20401AC011	m #.3 17.12
37 Bracket, Stabilizer	R/L	20416FE000	m #.3 4.90

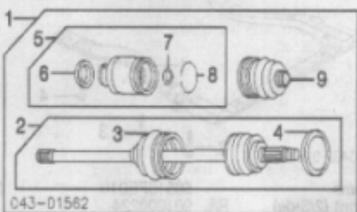
#R&R One Side Complete, Not Included in O/H

FRONT DRIVE AXLE

R&I Axle Shaft Assy	R/Lm	#.7
O/H Axle Shaft Assy	R/Lm	#1.1

#w/Knuckle Removed Deduct .5

NOTE: All Parts in this section are included in overhaul unless noted otherwise.



043-01562

1 Shaft Assy, Axle			
Impreza			
RS Model	R/L	28321FE060	m #.7 359.95
TS Sport Model	R/L	28321FE040	m #.7 359.95
w/ABS	R/L	28321FE050	m #.7 359.95
w/o ABS	R/L	28321FE050	m #.7 359.95
WRX, WRX Sport Model			
Man Trans			
Sedan	R/L	28321FE090	m #.7 359.95
Wagon	R/L	28321FE080	m #.7 359.95
Auto Trans			
Sedan	R/L	28321FE060	m #.7 359.95
Wagon	R/L	28321FE040	m #.7 359.95
Outback	R/L	28321FE040	m #.7 359.95

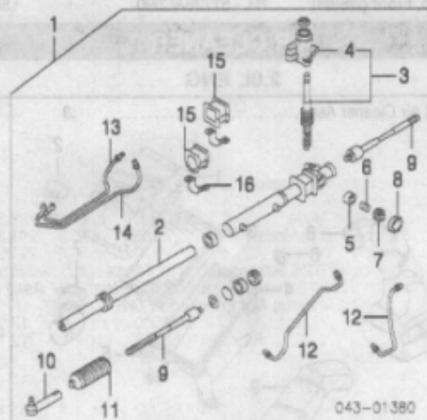
2 Joint Assy, Outer ¹			
Impreza			
RS Model	R/L	28391FE060	m #1.1 239.95
TS Sport Model	R/L	28391FE040	m #1.1 239.95
w/ABS	R/L	28391FE050	m #1.1 239.95
w/o ABS	R/L	28391FE050	m #1.1 239.95
WRX, WRX Sport Model			
Man Trans			
Sedan	R/L	28391FE090	m #1.1 239.95
Wagon	R/L	28391FE080	m #1.1 239.95
Auto Trans			
Sedan	R/L	28391FE060	m #1.1 239.95
Wagon	R/L	28321FE040	m #1.1 359.95

Outback	R/L	28321FE040	m #1.1	359.95
#w/Knuckle Removed Deduct .5				
3 Boot, Outer Joint† (a)	R/L	28323FE000	m	16.95
4 Baffle, Outer† (a)	R/L	28037AC001	m	9.22
(a) Included w/Outer Joint Assy				
5 Joint Assy, Inner†	R/L	28093AC040	m #1.1	164.95
#w/Knuckle Removed Deduct .5				
6 Snap, Inner Baffle† (a)	R/L	23233GA071	m	2.80
7 Ring, Snap† (a)	R/L	28035TA040	m	3.18
8 Circlip† (a)	R/L	28033AC000	m	3.05
(a) Included w/Inner Joint Assy				
9 Boot, Inner†	R/L	28423FE000	m	13.25
†Included w/Axle Shaft Assy				

FRONT STEERING LINKAGE/GEAR

R&L Steering Gear Assy..... m 2.4
 O/H Steering Gear Assy (Includes R&L) m 3.6
 NOTE 1: R&L/R&R Does Not include adjust wheel alignment.

NOTE 2: All Parts in this section are included in overhaul unless noted otherwise.



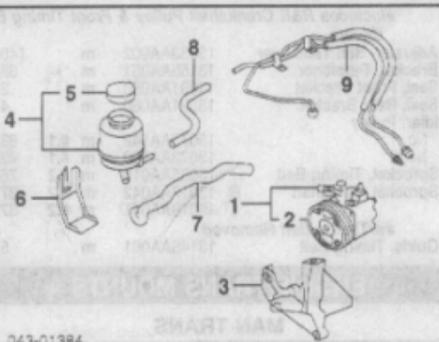
043-01380

1 Gear Assy				
Impreza Sedan Wagon		34110FE090	m 3.0	610.60
TS Sport Model WRX Sport Model		34110FE040 34110FE120	m 3.0	610.60
Outback		34110FE030	m 3.0	610.60
2 Rack†				
Impreza Sedan Wagon		34116FE020	m 3.6	185.05
TS Sport Model WRX Sport Model		34116FE030 34116FE020	m 3.6	185.05
Outback		34116FE020	m 3.6	185.05
3 Valve Assy, Power†				
Impreza Sedan Wagon		34113FE040	m 3.6	320.03
TS Sport Model WRX Sport Model		34113FE050 34113FE040	m 3.6	320.03
Outback		34113FE050	m 3.6	320.03
4 Housing, Valve† (a)				
		34113AE080	m	73.53
(a) Included w/Power Valve Assy				
5 Sleeve, Gear Box†				
		31260GA610	m	9.95
6 Spring, Adjust†				
		34130AA000	m	3.03
7 Screw, Adjust†				
		34127AA020	m	15.92
8 Nut, Lock†				
		31260GA650	m	17.75
9 Rod, Inner Tie†				
Sedan Wagon	R/L	34160FE010 34160FE030	m #6	49.95
#Includes R&R Tie Rod End & Boot				
10 End, Tie Rod†	R/L	34141AA042	m #3	49.95
11 Boot†	R/L	34135FC000	m #3	22.60
#R&R One Side Complete				
12 Tube, Feed†	R	34153FC001	m	8.63
	L	34153FC011	m	10.95
13 Pipe, Return†		34114FE000	m #6	45.43
14 Pipe, Pressure†		34153AA040	m #7	59.95
#R&R Both 1.0				
15 Bushing, Mount†	R	34115AA020	m	14.18
	L	34115AA030	m	13.38
16 Bracket, Bushing†	R	34120AA000	m	11.18
	L	34120AA010	m	11.18
†Included w/Gear Assy				

STEERING PUMP

Illustration Located in Next Column

1 Pump Assy, Steering				
2.0L Eng		34430FE010	m 1.1	429.96
2.5L Eng		34430FE000	m 1.1	429.96
2 Pulley, Pump†				
2.0L Eng		34414FA000	m .6	71.95
2.5L Eng		34450FE000	m .6	73.53
†Included w/Steering Pump Assy				



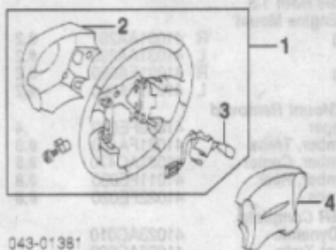
043-01384

3 Brk, Alternator/Power Steering Pump				
-See Electrical Section				
4 Tank Assy, Reservoir		34630AE000	m .5	94.75
5 Cap, Reservoir†		34631AE000		8.18
†Included w/Reservoir Tank Assy				
6 Bracket, Reservoir		34633AE000	m	11.55
7 Hose, Suction				
2.0L Eng		34611FE010	m .6	40.03
2.5L Eng		34611FE000	m .6	40.03
8 Hose, Return				
2.0L Eng		34611FE020	m .6	34.32
2.5L Eng		34611FE050	m .6	28.60
9 Hose, Power Steering				
2.0L Eng		34610FE050	m .6	255.13
2.5L Eng		34610FE041	m .6	255.13

STEERING WHEEL/COLUMN

NOTE: All Parts in this section are included in overhaul unless noted otherwise.

WHEEL & TRIM

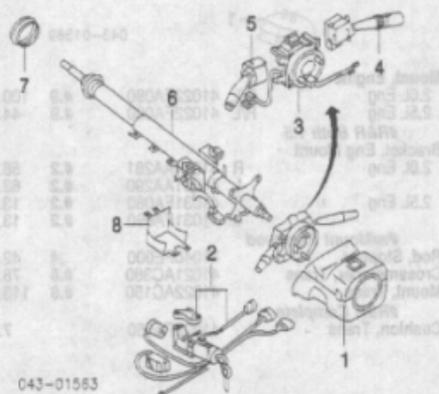


043-01381

1 Wheel Assy, Steering				
Impreza RS Model		34311FE060	m .5	305.07
w/Cruise Control		34311FE080	m .5	524.89
TS Sport Model		34311FE060	m .5	305.07
w/Cruise Control		34311FE050	m .5	347.70
WRX WRX Sport Model		34311AE090	m .5	482.30
Outback		34311FE060	m .5	305.07
2 Cover, Lower†				
Impreza RS, WRX, WRX Sport Model		34317FE030	m	14.37
TS Sport Model		34317FE030	m	14.37
w/Cruise Control		34317FE020	m	14.37
w/o Cruise Control		34317FE030	m	14.37
Outback		34317FE030	m	14.37
3 Switch, Cruise Control†				
		83151AE000	m .3	65.98
†Included w/Steering Wheel Assy				
4 Module, Driver Air Bag-See Air Bag System Section				

COLUMN

R&L Steering Column m .9
 O/H Steering Column (Includes R&L) m 1.9



043-01563

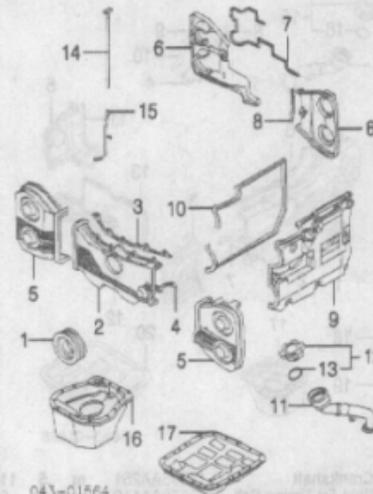
1 Cover, Column		34341AE010M	m .3	29.42
2 Switch, Ignition				
Man Trans		83191FE010	m .7	151.42
Auto Trans		83191FE020	m .7	193.48
3 Switch, Combination				
		83119AE010	m .9	22.88
4 Switch, Headlamp				
		83118FC030	m .6	79.95
5 Switch, Wiper				
Impreza Sedan		83114AE100	m .6	52.67
RS Model		83114AE110	m .6	56.67
Wagon		83114AE120	m .6	56.20
TS Sport Model		83114AE130	m .6	60.00
WRX Sport Model		83114AE120	m .6	56.20
Outback		34500FE010	m 1.9	387.39
6 Column, Steering				
		34361FC000	m	6.02
7 Bushing, Steering				
		34351FE000	m	25.22

ENGINE/TRANS

Use Procedure Explanation 12 with the following text.

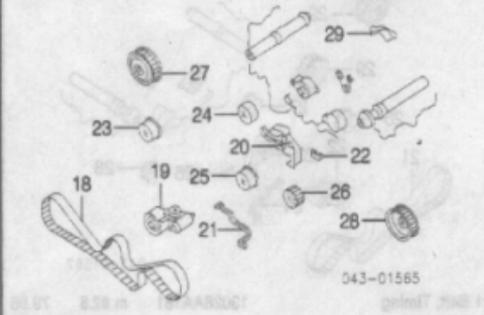
2.0L ENG

R&L Engine/Trans Assy			m 6.0
-----------------------	--	--	-------



043-01564

1 Pulley, Crankshaft		12305AA242	m .5	80.87
2 Cover, Center Timing		13570AA044	m #1.5	64.60
#Includes R&R Crankshaft Pulley & Frt Side Timing Covers				
3 Seal, Upr Center Cover		13581AA050	m	19.43
4 Seal, Lwr Center Cover		13594AA000	m	14.37
5 Cover, Frt Side Timing	R	13572AA101	m .5	22.88
	L	13574AA094	m .5	24.52
6 Cover, Rear Side Timing				
Man Trans	R	13573AA130	m	29.42
	L	13575AA130	m	24.52
Auto Trans	R	13573AA120	m	29.42
	L	13575AA103	m	24.52
7 Seal, Rear Cover				
No. 1		13583AA260	m	3.58
No. 2		13583AA270	m	2.13
No. 3		13583AA280	m	2.13
No. 4 (2)		13583AA290	m	2.13
8 Seal, Right Rear Cover		13597AA020	m	1.98
9 Cover, Valve	R	13264AA250	m #8	95.35
	L	13278AA152	m #8	95.35
#R&R Both 1.4				
10 Gasket, Valve Cover	R	13270AA161	m	9.95
	L	13272AA092	m	9.95
11 Neck, Eng Oil Filler		15250AA012	m .8	22.88
12 Cap Assy, Oil Filler		15255KA111		6.02
13 Seal, Filler Cap†		803942020		3.95
†Included w/Oil Filler Cap Assy				
14 Dipstick, Eng Oil		11140AA046		13.57
15 Tube, Eng Dipstick		15144AA011	.5	21.07
16 Pan, Eng Oil		11109AA052	m 1.9	61.93
17 Pan, Trans Oil		31390AA080	m .8	44.23



043-01565

18 Belt, Timing		13028AA200	m #2.5	129.95
-----------------	--	------------	--------	--------

SUBARU IMPREZA/OUTBACK 2002

ENGINE/TRANS Cont'd

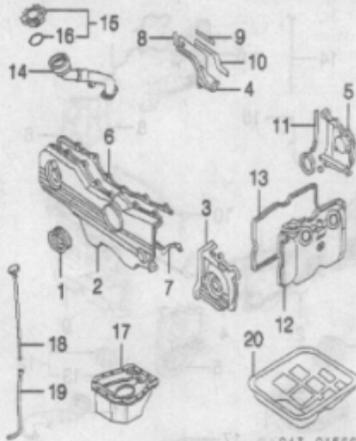
2.0L ENG Cont'd

#Includes R&R Crankshaft Pulley & Front Timing Belt Covers

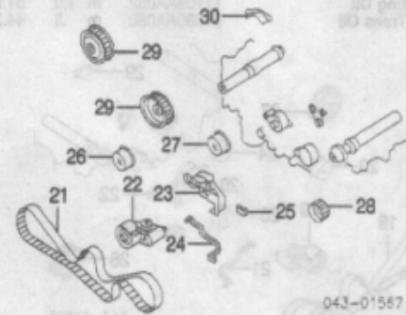
19	Adjuster, Belt Tensioner	13033AA002	m	140.19
20	Bracket, Tensioner	13156AA061	m	31.02
21	Seal, Front Bracket	13091AA050	m	2.07
22	Seal, Rear Bracket	13091AA060	m	4.92
Idler, Pulley				
23	No. 1	13073AA142	m #.1	83.35
24	No. 2	13073AA142	m #.1	83.35
25	No. 3	13073AA200	m #.1	40.87
26	Sprocket, Timing Belt	13085AA010	m #.2	76.75
27	Sprocket, Right Camshaft			
Intake				
Exhaust				
28	Sprocket, Left Camshaft			
Intake				
Exhaust				
#w/Timing Belt Removed				
29	Guide, Timing Belt	13145AA001	m	5.35

2.5L ENG

R&I Engine Assy m 6.2



1	Pulley, Crankshaft	12305AA251	m	.5	116.10
2	Cover, Right Frt Timing Belt	13570AA112	m #1.5	51.60	
#Includes R&R Crankshaft Pulley & Left Frt Timing Cover					
3	Cover, Left Frt Timing Belt	13574AA081	m	.5	19.78
4	Cover, Timing Belt				
Rear Right					
5	Cover, Timing Belt	13573AA091	m #3.0	9.95	
Rear Left					
6	Seal, Right Front Cover				
Upper					
7	Seal, Right Front Cover	13594AA011	m	13.93	
Lower					
8	No. 1	13583AA190	m	1.77	
9	No. 2	13583AA200	m	1.77	
10	No. 3	13583AA210	m	2.25	
11	Seal, Right Front Cover				
Rear Left					
12	Rear, Valve	R 13264AA143	m #.8	51.60	
L 13278AA123 m #.8 51.60					
#R&R Both 1.4					
13	Gasket, Valve Cover	R/L 13294AA052	m	13.95	
14	Neck, Eng Oil Filler	15250AA021	m	.8	24.07
15	Cap Assy, Oil Filler	15255KA111		6.02	
16	Seal, Oil Filler Cap	803942020		3.95	
#Included w/Oil Filler Cap Assy					
17	Pan, Eng Oil	11109AA092	m	1.9	69.03
18	Dipstick, Engine Oil	11140AA046		13.57	
19	Tube, Eng Dipstick	15144AA050		.5	16.50
20	Pan, Trans Oil	31390AA080	m	.8	44.23



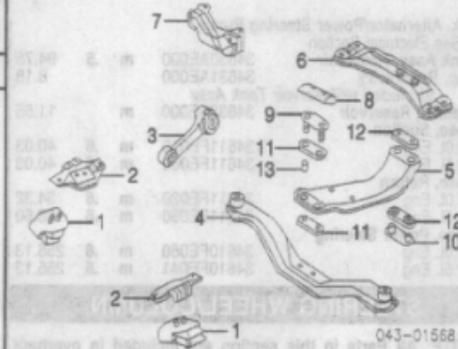
21	Belt, Timing	13028AA181	m #2.5	79.95
----	--------------	------------	--------	-------

#Includes R&R Crankshaft Pulley & Front Timing Belt Covers

22	Adjuster, Belt Tensioner	13033AA002	m	140.19
23	Bracket, Tensioner	13156AA051	m	38.07
24	Seal, Front Bracket	13091AA050	m	2.07
25	Seal, Rear Bracket	13091AA060	m	4.92
Idler, Pulley				
26	No. 1	13073AA142	m #.1	83.35
27	No. 2	13073AA190	m #.1	43.00
28	Sprocket, Timing Belt	13085AA010	m #.2	76.75
29	Sprocket, Camshaft	R 13017AA042	m #.2	37.85
L 13019AA041 m #.2 37.85				
#w/Timing Belt Removed				
30	Guide, Timing Belt	13145AA001	m	5.35

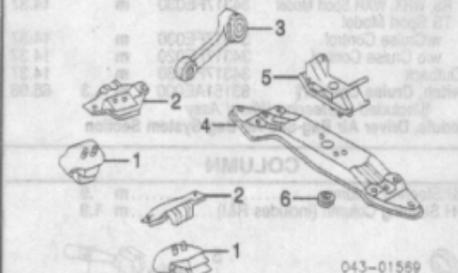
ENGINE/TRANS MOUNTS

MAN TRANS



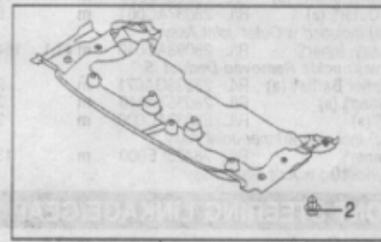
1	Mount, Engine				
2.0L Eng R/L 41022FA090 #.9 100.30					
2.5L Eng R/L 41022FA000 #.9 44.67					
#R&R Both 1.5					
2	Bracket, Engine Mount				
2.0L Eng R 41031AA281 #.2 58.25					
L 41031AA290 #.2 62.63					
2.5L Eng R 41031FA080 #.2 13.92					
L 41031FA090 #.2 13.92					
#w/Mount Removed					
3	Rod, Stopper	41040FE000		.4	42.47
4	Crossmember, Trans	41021FA150		.8	83.32
5	Crossmember, Center	41021AC470		.8	95.33
6	Crossmember, Rear	41011FE030		.8	84.93
7	Mount, Trans	41022FE020		.8	69.87
#R&R Complete					
8	Damper, Dynamic	41023AC010		50.32	
9	Plate, Front Xmbr	41025AC000		10.08	
10	Plate, Rear Xmbr	41025AC040		8.55	
11	Cushion, Front Crossmember				
Upper					
41022GA200 12.08					
Lower					
41022GA400 12.08					
12	Cushion, Rear Crossmember				
Upper					
41022GA400 12.08					
Lower					
41022GA200 12.08					
13	Spacer, Crossmember (4)	41037AC000		5.58	

AUTO TRANS



1	Mount, Engine				
2.0L Eng R/L 41022FA090 #.9 100.30					
2.5L Eng R/L 41022FA000 #.9 44.67					
#R&R Both 1.5					
2	Bracket, Eng Mount				
2.0L Eng R 41031AA281 #.2 58.25					
L 41031AA290 #.2 62.63					
2.5L Eng R 41031FA080 #.2 13.92					
L 41031FA090 #.2 13.92					
#w/Mount Removed					
3	Rod, Stopper	41040FE000		.4	42.47
4	Crossmember, Trans	41021AC380		.8	78.55
5	Mount, Trans	41022AC150		.8	113.50
#R&R Complete					
6	Cushion, Trans	41022FA050		7.00	

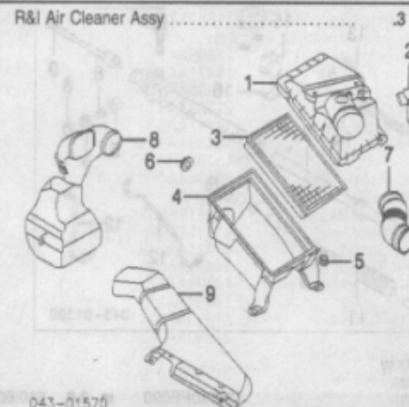
ENGINE UNDER COVER



1	Cover Assy, Eng Under	56410FE040		.3	81.68
2	Clip, Cover	R/L 909130062			1.58
#Included w/Eng Under Cover Assy					
3	Clip, Front (2/Side)	R/L 57728AC090			.80

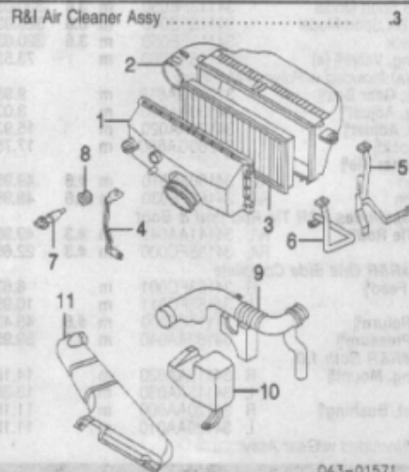
AIR CLEANER

2.0L ENG



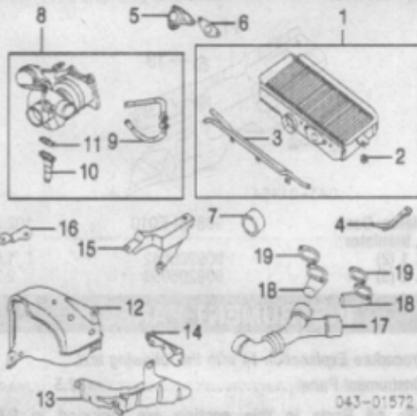
R&I Air Cleaner Assy				.3	
1	Cover, Upr Air Cleaner	46052FE000		#.2	88.22
#Includes R&R Air Cleaner Element					
2	Meter, Air Flow	22680AA310	m	.3	288.13
3	Element, Air Cleaner	16546AA020		.2	14.95
4	Cover, Lwr Air Cleaner	46051AE000		#.3	96.37
#Includes R&R Upr Air Cleaner Cover & Element					
5	Cushion, Lwr	46060AC050		2.07	
6	Cushion, Side (2)	46060AC030		1.98	
7	Boot, Air Intake	46013FE000		45.75	
8	Chamber, Air Cleaner	46040FE000		2	57.20
9	Duct, Air Intake	46012AE100		2	27.77

2.5L ENG



R&I Air Cleaner Assy				.3	
1	Cover, Frt Air Cleaner	16520AA041		.2	108.58
2	Cover, Rear Air Cleaner	16520AA032		#.3	98.14
#Includes R&R Element & Frt Air Cleaner Cover					
3	Element, Air Cleaner	16546AA07A		#.2	14.95
#Included in R&R Front Air Cleaner Cover					
4	Stay, Front Air Cleaner	16563AA121		6.00	
Stay, Rear Air Cleaner					
5	Man Trans	16563AA072		23.20	
6	Auto Trans	16563AA083		19.78	
7	Sensor, Intake Air	N.A.	m	.2	0.00
8	Grommet, Sensor	N.A.		0.00	
9	Boot, Air Intake	46021AC130		.2	61.40
10	Chamber, Air Intake	46032AC070		.2	34.40
11	Inlet, Air	46012FE020		.2	16.33

TURBOCHARGER/INTERCOOLER

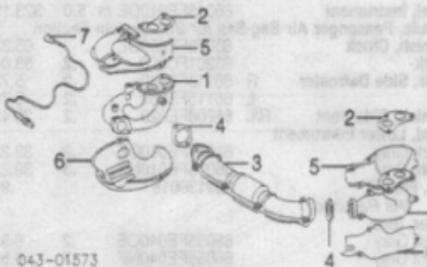


1 Intercooler Assy	21820AA185	m	1.0	600.44
2 Insulator, Intercooler [†]	R/L 45668AA000	m	2.30	
3 Tube, Vacuum [†]	11852AA033	m		51.47
[†] Included w/Intercooler Assy				
4 Stay, Intercooler	21885AA163			17.15
5 Valve, Air By-Pass	14471AA120	m	.7	159.83
6 Gasket, By-Pass Valve	21896AA072	m		5.72
7 Duct, Air	21869AA030	m		14.68
8 Turbocharger Assy	14411AA382	m	1.9	946.39
9 Pipe, Inlet [†]	14430AA121	m		80.70
10 Pipe, Outlet [†]	15197AA060	m		30.28
11 Gasket, Outlet Pipe [†]	15196AA060	m		.98
[†] Included w/Turbocharger Assy				
12 Shield, Upper Heat	44031FE000			40.87
13 Shield, Lower Heat	44031FE020			17.98
14 Bracket, Shield	44021AA012			15.68
15 Stay, Frt Turbocharger	14421AA020			42.05
16 Stay, Rear Turbocharger	14427AA022			9.80
17 Duct, Air Intake	14462AA221	m	#1.6	98.02
18 Housing, Air Intake	R 21830AA031	m	#1.6	49.00
	L 21830AA040	m	#1.6	42.47
[†] R&R Complete				
19 Gasket, Housing	R/L 21896AA010	m		4.90

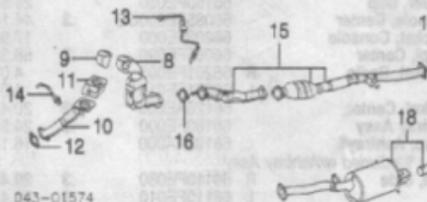
EXHAUST

2.0L ENG

R&R Exhaust System Complete..... #1.8
 #Does Not Include R&R Exhaust Manifolds or Heat Shields



1 Manifold, Exhaust	R 14010AA102	m	.5	323.13
	L 14023AA020	m	.5	313.68
2 Gasket, Exhaust	R/L 14038AA000	m		14.63
3 Pipe, Manifold Joint	44104AA002		.8	332.12
4 Gasket, Pipe	R 44011FA020	m		8.63
	L 44022AA160	m		18.73
5 Shield, Upper Heat	R 14085AA081	m		53.90
	L 14090AA000	m		125.28
6 Shield, Lower Heat	R 14086AA071	m		68.27
	L 14091AA000	m		161.00
7 Sensor, Oxygen	22641AA042	m	.5	199.95



8 Pipe, Outlet Turbo				
Man Trans	44102FE040		.8	512.16
Auto Trans	44102FE050		.8	512.16
9 Gasket, Outlet	44022AA180			19.95
10 Pipe, Inlet Turbo	44104FE010		.5	332.27
11 Gasket, Upper Inlet	44022AA150			13.08
12 Gasket, Lower Outlet	44022AA170			13.08
13 Sensor, Oxygen				
Man Trans	22690AA500	m	.5	149.95
Auto Trans	22690AA490	m	.5	149.95

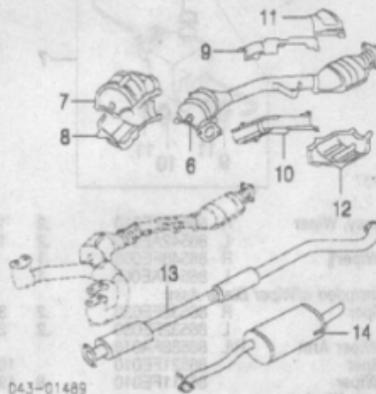
14 Sensor, Temperature	22629AA011	m	.3	58.88
15 Pipe, Center	44200FE090		.5	384.22
16 Gasket, Front Pipe	44011FE000			8.63
17 Gasket, Rear Pipe	44022AA131			8.63
18 Muffler	44300FE020		.6	329.95

2.5L ENG

R&R Exhaust System Complete..... #1.6
 #Does Not Include R&R Exhaust Manifolds or Heat Shields

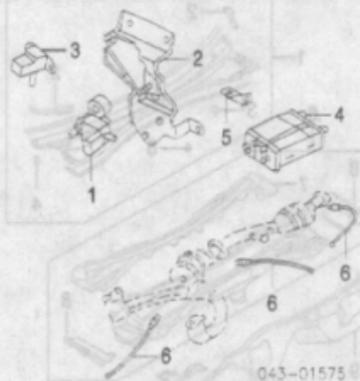


1 Pipe Assy, Front Exhaust	44101AG010		.5	179.30
2 Cover, Up Frt Pipe [†]	R 44132AC510			24.32
	L 44132AC530			21.52
3 Cover, Lwr Frt [†]	R 44132AC520			26.28
	L 44132AC540			19.17
4 Cover, Up Rear [†]	44132AC551			14.90
5 Cover, Lwr Rear [†]	44132AC561			13.87
[†] Included w/Front Exhaust Pipe Assy				



6 Converter, Catalytic	44139FA160		.8	539.47
Sensor, Oxygen [†]	22690AA540	m	.5	0.00
[†] Order by Application				
7 Cover, Up Frt	44132AC151			20.42
8 Cover, Lwr Frt	44132AC171			25.25
9 Cover, Upr Center	44131AE120			15.77
10 Cover, Lwr Center	44131AE170			15.77
11 Cover, Upr Rear	44131AE180			21.95
12 Cover, Lwr Rear	44131AE190			21.95
13 Pipe, Intermediate	44200FE050		.5	237.68
14 Muffler & Pipe				
Sedan	44300FE070		.5	299.95
Wagon	44300FE030		.5	299.95

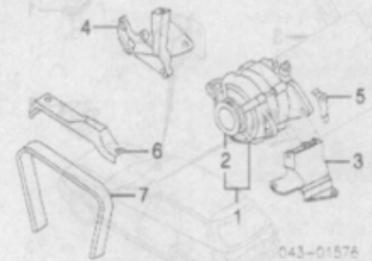
EMISSION SYSTEM



1 Valve, Solenoid				
2.0L Eng	16102AA160	m	.3	133.20
2 Bracket, Solenoid Valve				
2.0L Eng	14874AA264			28.60
3 Sensor, Vacuum				
2.0L Eng	14772AA870	m	.3	316.37
4 Canister, Vapor	42036AC020	m	.5	84.72
5 Bracket, Canister	42052FE140			16.00
6 Sensor, Oxygen-See Exhaust Section				

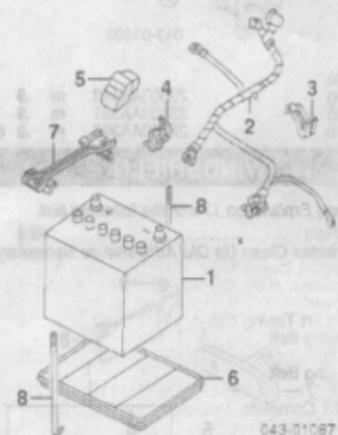
ELECTRICAL

ALTERNATOR



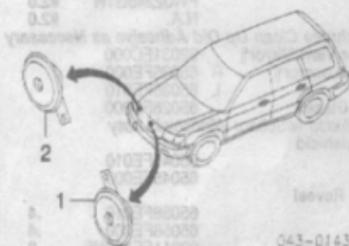
1 Alternator Assy	23700AA430	m	6	469.96
2 Pulley, Alternator [†]	23752AA050	m		78.65
[†] Included w/Alternator Assy				
3 Bracket, Alternator [†] (a)	11711AA051			28.35
w/o A/C				
[†] w/ A/C-Serviced w/Right Compressor Bracket (a) w/ A/C-See A/C/Heater/Ventilation Section				
4 Brkt, Alternator/Power Steering Pump				
2.0L Eng	22870AA090			58.80
2.5L Eng	22870AA002			58.80
5 Plate, Alternator	11717AA030			5.13
6 Belt, Drive	809218250		.5	17.95
7 Cover, Belt				
2.0L Eng	23774AA003			34.32
2.5L Eng	22830AA000			16.50

BATTERY



1 Battery				
2.0L Eng	N.A.		.2	0.00
2.5L Eng	N.A.		.2	0.00
Man Trans	N.A.		.2	0.00
Auto Trans	N.A.		.2	0.00
2 Cable, Battery				
Man Trans	81601FE010		.5	54.73
Auto Trans	81601FE030		.5	55.22
3 Bracket, Cable	81041FE070			5.72
4 Terminal, Positive	81608GA110			12.13
5 Cover, Terminal	81611AA000			4.90
6 Tray, Battery				
2.0L Eng	82122AA031		#1.0	8.23
2.5L Eng	82122AA011		#1.0	8.50
[†] Includes R&R Battery				
7 Holder, Battery	82182AA040			8.50
8 Bolt, Battery	R/L 82161AA040			6.25

HORN



1 Horn, High Note	N.A.		.3	0.00
2 Horn, Low Note	N.A.		.3	0.00

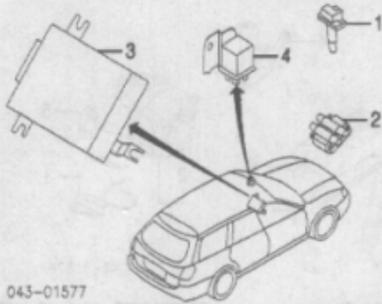
IGNITION

R&R Ignition Coils Complete.....	m	.6		
----------------------------------	---	----	--	--

SUBARU IMPREZA/OUTBACK 2002

ELECTRICAL Cont'd

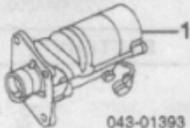
IGNITION Cont'd



043-01577

Coil, Ignition			
1 2.0L Eng (4)	22433AA421	m #.3	99.98
#R&R Two or More .6			
2 2.5L Eng	22433AA410	m .5	172.47
Control Unit, Engine			
2.0L Eng			
Man Trans	22611AF421	m .7	513.80
Auto Trans	22611AF411	m .7	513.80
2.5L Eng	22611AF401	m .7	513.80
4 Relay & Bracket	25229AA050	m .3	45.75

STARTER



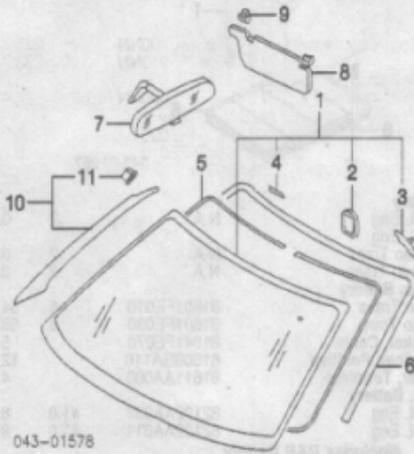
043-01393

1 Starter			
Man Trans			
2.0L Eng	23300AA420	m .9	359.81
2.5L Eng	23300AA381	m .9	359.95
Auto Trans	23300AA390	m .9	d249.95

WINDSHIELD

Use Procedure Explanation 13 with the following text.

R&I Windshield #2.4
#Includes Clean Up Old Adhesive as Necessary

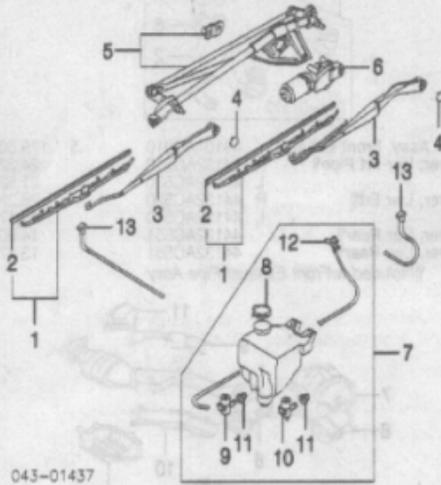


043-01578

1 Glass Assy, Windshield			
Subaru			
Sedan	65009FE030	#2.0	628.94
Wagon	65009FE000	#2.0	642.60
NAGS			
Sedan	FW02245GTN	#2.0	0.00
Wagon	N.A.	#2.0	0.00
#Includes Clean Up Old Adhesive as Necessary			
2 Base, Rear View Mirror	92031FC000		12.03
3 Pin, Glass Locator	R 65035FE000		2.13
	L 65035FE010		2.13
4 Fastener, Glass	65026FC000		1.95
#Included w/Subaru Windshield Assy			
5 Dam, Windshield			
Sedan	65045FE010		26.13
Wagon	65045FE000		26.13
6 Moulding, Reveal			
Sedan	65058FE010	.4	62.08
Wagon	65058FE000	.4	62.08
7 Mirror, Rear View			
8 Visor, Sun	92011FE130NE	.2	17.98
Impreza			
RS, TS Sport Model	R 92011FE060NE	.2	42.47
	L 92011FE050NE	.2	65.33
WRX, WRX Sport Model	R 92011FE040NE	.2	65.33
	L 92011FE050NE	.2	65.33

Outback	R 92011FE060NE	.2	42.47
	L 92011FE050NE	.2	65.33
#Order by Application			
9 Hook, Sun Visor	R/L 92018AE001NE	.2	1.82
10 Garnish Assy, Pillar			
Sedan			
	R 94010FE002NE	.2	22.88
	L 94010FE012NE	.2	22.88
Wagon			
	R 94010FE021NE	.2	22.88
	L 94010FE031NE	.2	22.88
11 Clip, Garnish (3/Side)	R/L 909140025		4.90
#Included w/Pillar Garnish Assy			

WIPER SYSTEM

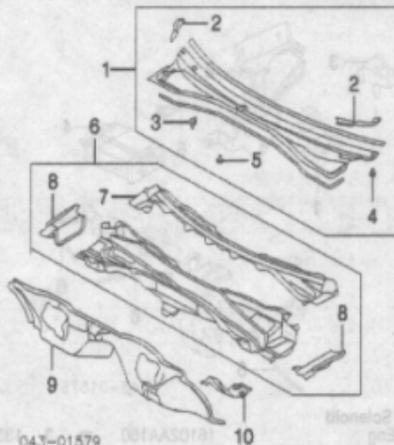


043-01437

1 Blade Assy, Wiper	R 86542FE010	.2	14.95
	L 86542AE040	.2	16.95
2 Insert, Wiper	R 86548FE000	.1	8.75
	L 86548AE000	.1	8.75
#Included w/Wiper Blade Assy			
3 Arm, Wiper			
	R 86532FE030	.2	30.95
	L 86532FE050	.2	30.95
4 Cover, Wiper Arm			
	R/L 86538FA010		4.48
5 Link, Wiper	86521FE010		100.15
6 Motor, Wiper	86511FE010	.8	199.95
7 Tank Assy, Washer			
Sedan			
	86610FE000	.7	78.43
Wagon			
	86610FC000	.7	119.95
8 Cap, Tank	86615AA060		19.38
9 Motor & Pump, Front	86611AA010	#.7	69.95
10 Motor & Pump, Rear	86611AC010	#.7	19.95
#R&R Complete			
11 Grommet (2)	686223030		5.43
12 Joint, Washer	86617AA020		2.47
#Included w/Washer Tank Assy			
13 Nozzle, Spray	R 86636FE030	.2	19.58
	L 86636FE040	.2	19.58

COWL & DASH

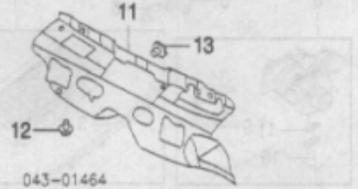
Use Procedure Explanations 14 and 28 with the following text.



043-01579

1 Grille Assy, Cowl Top	91411FE010	#.4	73.53
#Includes R&R Wiper Arms			
2 Cover, Hood Hinge	R 91423FE000		7.37
	L 91423FE010		7.37
3 Pin, Grille	R/L 91167AA110		.70
4 Clip, Side Grille	R/L 909130026		.98
5 Clip, Front Grille (2/Side)	R/L 909140019		.98
#Included w/Cowl Top Grille Assy			
6 Panel Assy, Cowl Top	51121FE010	#6.5	316.37
7 Panel, Front Cowl	53100FE010	#4.5	196.27
#w/Necessary Bolted Parts & Assemblies Removed			
8 Ext, Cowl Panel	R 52760FE000		22.05
	L 52760FE010		22.05

#Included w/Cowl Top Panel Assy			
9 Panel, Dash	52200FE010		328.07
10 Plate, Foot Rest	52260AE000		13.08



043-01464

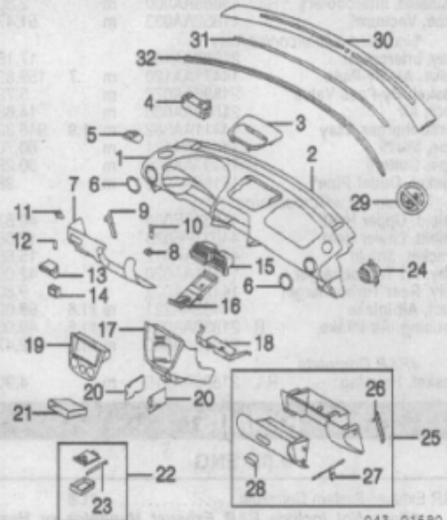
11 Insulator, Dash	90815FE010		102.33
12 No. 1 (2)	909205042		1.82
13 No. 2 (5)	909205054		2.77

INSTRUMENT PANEL

Use Procedure Explanation 14 with the following text.

R&I Instrument Panel m 2.5

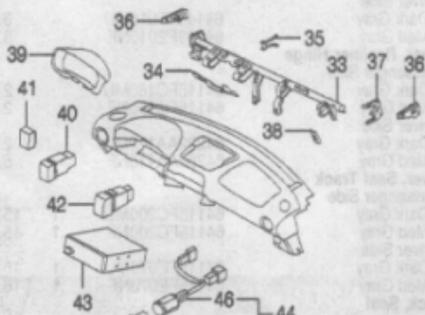
NOTE: All Parts in this section are included in R&R Instrument Panel unless noted otherwise.



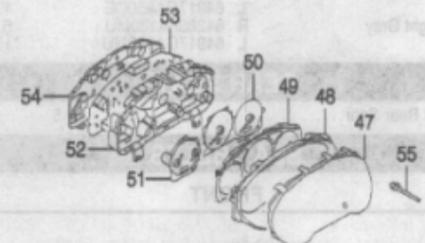
043-01580

1 Panel, Instrument	66045FE0100E	m 5.0	323.13
2 Module, Passenger Air Bag-See Air Bag System Section			
3 Garnish, Clock	66065FE050E		65.33
4 Clock	85201FC000	.2	53.04
5 Grille, Side Defroster	R 66115FE040	.2	5.72
	L 66115FE050	.2	5.72
6 Garnish, Side Vent	R/L 66208FE020	.2	29.42
7 Panel, Lower Instrument			
Dark Gray			
	66075FE0100E	.3	39.22
Light Gray			
	66075FE010NF	.3	39.22
8 Clip, Panel	909130018		.98
#As Required			
9 Cover, Side			
Dark Gray			
	66055FE0400E	.2	6.55
Light Gray			
	66055FE040NF	.2	6.55
10 Bracket, Side	81041FE060		4.90
11 Clip, Side (2)			
Dark Gray			
	66231FC0300E		.96
Light Gray			
	66231FC030NF		1.18
12 Cover, Switch	66241TC060ML		3.25
13 Tray, Coin			
Dark Gray			
	66175FC0200E		d8.18
Light Gray			
	66175FC020NF		8.18
14 Cap, Lower Panel			
Dark Gray			
	66211FC0900E		9.60
Light Gray			
	66211FC090NF		8.18
15 Vent, Center	66060FE110	.2	92.52
16 Holder, Cup	66150FE030		24.52
17 Console, Center	66085FE0000E	.3	44.12
18 Bracket, Console	66203FE000		17.98
19 Panel, Center	66065FE090	.2	68.58
20 Bracket, Radio	R 66201FE000		4.07
	L 66201FE010		4.07
21 Pocket, Center	66128AE000	.2	20.42
22 Ashtray Assy	66160FE000	.2	24.52
23 Lamp, Ashtray	66198AA000		16.12
#Included w/Ashtray Assy			
24 Vent, Side			
R 66110FE030			
	L 66110FE010	.3	29.42
25 Box Assy, Glove			
Dark Gray			
	66120FE0300E	.4	112.15
Light Gray			
	66120FE030NF	.4	112.15
26 Cover, Side			
Dark Gray			
	66055FE0500E		6.55
Light Gray			
	66055FE050NF		6.55
27 Switch, Lamp	83081FE000		20.90
28 Lock, Glove Box			
Dark Gray			
	66140FE0100E	.2	29.42
Light Gray			
	66140FE010NF	.2	29.42
#Included w/Glove Box Assy			

29 Label, Side Air Bag-See Information Labels Section			
30 Grille, Defroster	66115FE080OE	.2	40.87
31 Cushion, Upper Grille (2)	66226FE020		5.72
32 Cushion, Lower Grille	66226FE010		0.00



33 Beam, Steering	50809FE020	#.6	308.43
#w/Instrument Panel Removed, Not Included in R&R Instrument Panel			
34 Panel, Knee Guard	50839FE000		31.02
35 Stay, Beam	50849FE000		27.77
36 Stay, Side Beam	R 50811AE000		12.27
	L 50811AE010		12.27
37 Bracket, Side	R 50829AE010		24.00
38 Reinforcement, Side	R 50859FE000		5.72
39 Cover, Cluster	66180FE010	.2	28.60
40 Switch, Fog Lamp	83001FE000	.3	27.77
Switch, Main Cr/Cont-See Cruise Control System Section			
41 Cover, Switch	66241FE020		2.63
42 Switch, Hazard	83037FE000	.3	26.13
43 Stereo			
Impreza			
RS, TS Sport Model	86201FC100	.6	650.64
WRX, WRX Sport Model	86201FC080	.6	1156.18
Outback	86201FC100	.6	650.64
44 Lighter Assy, Cigarette	86710FE010	.3	31.15
45 Element, Lighter	N.A.		0.00
46 Socket, Lighter	86711FE010		18.52
*Included w/Cigarette Lighter Assy			



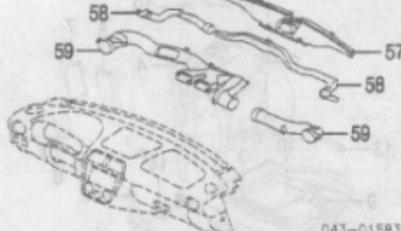
47 Lens, Meter			
Man Trans	85075FE000	.6	22.88
Auto Trans	85075FE010	.6	22.88
48 Reflector, Meter	85057FE000		16.33
49 Plate, Meter			
Sedan	85070FE060	m #.8	63.37
Wagon			
Impreza			
TS Sport Model	85070FE030	m #.8	7.70
WRX Sport Model	85070FE060	m #.8	63.37
Outback	85070FE030	m #.8	7.70

50 Speedometer & Tachometer			
Impreza			
RS, TS Sport Model	85030FE050	m #.8	99.27
WRX, WRX Sport Model	85030FE060	m #.8	99.27
Outback	85030FE050	m #.8	99.27

51 Meter, Fuel & Temp			
Impreza			
Sedan			
RS Model			
Man Trans	85064FE050	m #.8	89.73
Auto Trans	85064FE070	m #.8	89.73
WRX Model	85064FE040	m #.8	89.73
Wagon	85064FE040	m #.8	89.73
Outback			
Man Trans	85064FE110	m #.8	89.73
Auto Trans	85064FE120	m #.8	89.73
*Order by Application			

52 Housing, Meter			
Man Trans	85067FE020	m #.8	18.63
Auto Trans	85067FE030	m #.8	33.98
53 Plate, Circuit	85088FE080	m #.8	351.90
*Order by Application			
54 Cover, Meter	85058FE000	m #.8	8.97
55 Knob, Reset	85077FE010	m #.8	2.47
*R&R Complete, Not Included in R&R Instrument Panel			

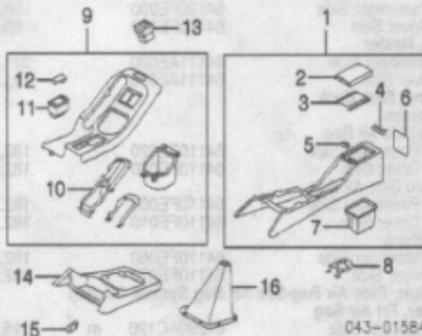
56 Control, Heater			
w/ A/C	72311FE020	m .7	238.33
w/o A/C	72311FE040	m .7	238.33



57 Duct, Defroster	66105FE000	#.3	21.23
58 Duct, Side Defroster	R 66100FE110	#.3	17.98
	L 66100FE100	#.3	22.88
59 Duct, Side Vent	R 66100FE030	#.3	9.80
	L 66100FE010	#.3	47.37
*w/Instrument Panel Removed, Not Included in R&R Instrument Panel			

CENTER CONSOLE

Use Procedure Explanation 14 with the following text.
 R&I Center Console Assy6
 NOTE: All Parts in this section are included in R&R Center Console Assy unless noted otherwise.



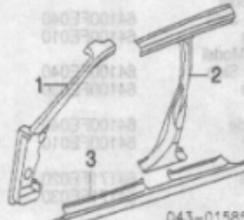
1 Console Assy, Center	92111FE010OE	.6	119.18
2 Lid, Upper Console	92116FE020OE	#.2	62.08
3 Lid, Lower Console	92116FE030	#.2	8.18
4 Hinge, Console Lid	92117FE000	#.2	19.58
#R&R Complete			
5 Lock, Console Lid	92184FE000OE		3.25
6 Cover, Rear	92116FE000OE		4.07
7 Pocket, Console	92174FE000ML		24.52
*Included w/Center Console Assy			
8 Bracket, Console	92070FC000	#.1	9.63
#w/Center Console Assy Removed, Not Included in R&R Center Console Assy			
9 Garnish Assy, Console	92131FE050OE	.3	44.12
10 Strip, Garnish	92175FE000	.1	6.55
11 Switch, Mirror	83071FC020	.2	56.07
12 Cap, Switch (2)	66241TC060ML		3.25
*Included w/Console Garnish Assy			
13 Switch, Seat Heater	R 83075FA000	#.2	54.10
	L 83075FA010	#.2	54.10
#Included in R&R Console Garnish Assy			
14 Garnish, Shifter			
Man Trans	92122FE010OE	.3	17.98
Auto Trans	92121FE000OE	.3	17.98
15 Clip, Garnish (4)	66267KE010		1.19
16 Boot, Shifter	92123FE021	#.3	49.00
#Included in R&R Shifter Garnish			

ROCKER/PILLARS/FLOOR

Use Procedure Explanations 14,15 and 28 with the following text.

SHEET METAL/EXTERIOR TRIM

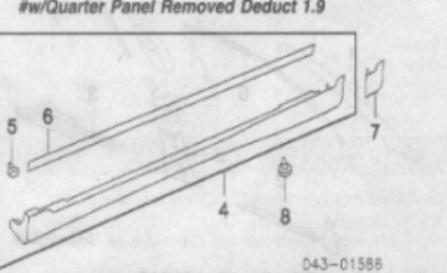
Refinish Outer Hinge Pillar	R/L	1.0
Refinish Outer Center Pillar	R/L	1.0
Refinish Outer Rocker Panel	R/L	1.5
Refinish Rocker Moulding	R/L	.8
R&I Rocker Moulding	R/L	.4



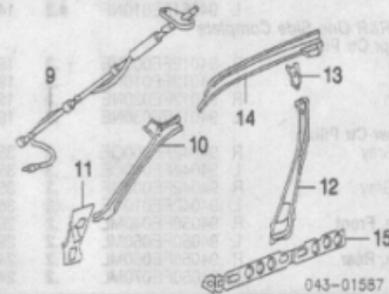
1 Pillar, Outer Hinge			
Impreza			
Sedan			
RS Model	R 51419FE090	s #.2	245.35
	L 51419FE130	s #.2	245.35
WRX Model	R 51419FE110	s #.2	245.35
	L 51419FE140	s #.2	245.35
Wagon			
TS Sport Model	R 51419FE010	s #.2	245.35
	L 51419FE050	s #.2	245.35
WRX Sport Model	R 51419FE030	s #.2	245.35
	L 51419FE060	s #.2	245.35
Outback	R 51419FE010	s #.2	245.35
	L 51419FE050	s #.2	245.35

2 Pillar, Outer Center			
Impreza			
Sedan			
RS Model	R 51429FE040	s #.5	252.35
	L 51429FE050	s #.5	252.35
WRX Model	R 51429FE060	s #.5	252.35
	L 51429FE070	s #.5	252.35
Wagon			
TS Sport Model	R 51429FE000	s #.5	252.35
	L 51429FE010	s #.5	252.35
WRX Sport Model	R 51429FE020	s #.5	252.35
	L 51429FE030	s #.5	252.35
Outback	R 51429FE000	s #.5	252.35
	L 51429FE010	s #.5	252.35

3 Panel, Outer Rocker			
Impreza			
Sedan			
RS Model	R 51449FE120	s #.8	266.37
	L 51449FE130	s #.8	266.37
WRX Model	R 51449FE140	s #.8	266.37
	L 51449FE150	s #.8	266.37
Wagon			
TS Sport Model	R 51449FE040	s #.8	266.37
	L 51449FE050	s #.8	266.37
WRX Sport Model	R 51449FE060	s #.8	266.37
	L 51449FE070	s #.8	266.37
Outback	R 51449FE040	s #.8	266.37
	L 51449FE050	s #.8	266.37



4 Moulding Assy, Rocker	R 96051FE000NN	.4	233.77
	L 96051FE010NN	.4	233.77
5 Clip, Moulding (6/Side)	R/L 91059FC030		.80
6 Protector, Moulding	R/L 96074FE000NN		20.45
*Included w/Rocker Moulding Assy			
7 Cap, End	R 96054FE000		6.22
	L 96054FE010		6.22
8 Clip, Lwr Moulding (6/Side)	R/L 909140020		.98



9 Antenna			
Sedan	86321FE020		51.28
Wagon	86321FE040		29.95

10 Pillar, Upr Inr Hinge			
Sedan	R 51522FE040	s #.1	91.47
	L 51522FE050	s #.1	91.47
Wagon	R 51522FE000	s #.1	91.47
	L 51522FE010	s #.1	91.47
11 Pillar, Lwr Inr Hinge	R 51520FE000	s #.1	76.78
	L 51520FE010	s #.1	76.78

12 Pillar, Inr Ctr			
Sedan	R 51530FE100	s #.1	91.47
	L 51530FE110	s #.1	91.47
Wagon	R 51530FE080	s #.1	91.47
	L 51530FE090	s #.1	91.47

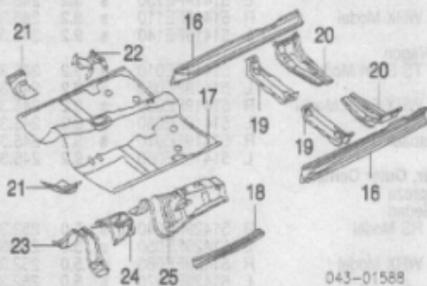
13 Bracket, Ctr Pillar			
Sedan	R 50837FE020	.5	9.47
	L 50837FE030	.5	9.47
Wagon	R 50837FE000	.5	9.47
	L 50837FE010	.5	9.47

14 Rail, Inner Side-See Roof Section			
15 Reinf, Rocker	R 51572FE000	s #.15	80.03
	L 51572FE010	s #.15	80.03

SUBARU IMPREZA/OUTBACK 2002

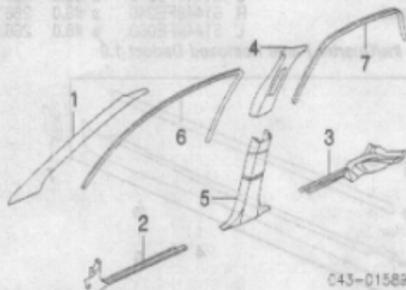
ROCKER/PILLARS/FLOOR Cont'd

SHEET METAL/EXTERIOR TRIM Cont'd



16 Panel, Inner Rocker	R 52154FE130	s 2.0	154.22
	L 52154FE140	s 2.0	154.22
17 Pan, Front Floor	52120FE000		338.97
18 Frame, Floor	R 52150FE000		210.28
	L 52150FE010		210.28
19 Crossmember, Floor	R 52140FE000		73.53
	L 52140FE010		73.53
20 Bracket, Side Front Seat	R 52140FE110		26.13
	L 52140FE120		26.13
21 Reinf, Upr Dash Panel	R 52143FE110		17.98
	L 52143FE130		17.98
22 Bracket, Inst Panel	52152FE210		32.67
23 Reinf, Front Floor	52152FE000		62.08
24 Reinf, Tunnel	52143FE080		96.37
25 Reinf, Hand Brake	52143AE030		102.33

INTERIOR TRIM



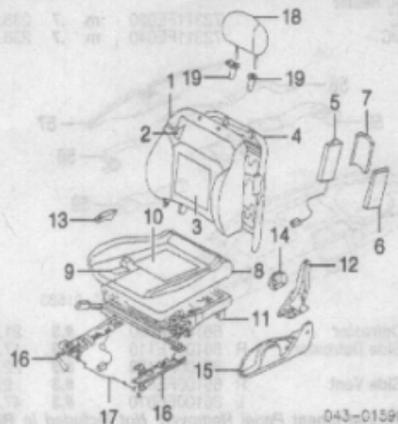
1 Garnish Assy, Pillar-See Windshield Section			
2 Trim, Outer Front Scuff	R 94060FE000OE	#2	14.68
	L 94060FE020OE	#2	14.68
	Light Gray	R 94060FE000NF	#2 14.68
	L 94060FE020NF	#2	14.68
3 Trim, Outer Rear Scuff	R 94061FE000OE	#2	14.68
	L 94061FE010OE	#2	14.68
	Light Gray	R 94061FE000NF	#2 14.68
	L 94061FE010NF	#2	14.68
#R&R One Side Complete			
4 Trim, Upr Ctr Pillar	R 94012FE000NE	.3	19.58
	L 94012FE010NE	.3	19.58
	Wagon	R 94012FE020NE	.3 19.58
	L 94012FE030NE	.3	19.58
5 Trim, Lwr Ctr Pillar	R 94042FE000OE	.3	35.92
	L 94042FE010OE	.3	35.92
	Light Gray	R 94042FE000NF	.3 35.92
	L 94042FE010NF	.3	35.92
6 Garnish, Front	R 94050FE040ML	.2	29.42
	L 94050FE050ML	.2	29.42
7 Garnish, Rear	R 94050FE060ML	.2	24.52
	L 94050FE070ML	.2	24.52

FRONT SEAT

R&I Seat Assy	R/L	.3
---------------	-----	----

Illustration Located in Next Column

1 Cover, Seat Back			
w/Side Air Bag			
Passenger Side	64150FE180OE	1.2	309.58
Driver Side	64150FE190OE	1.2	309.58
w/o Side Air Bag			
Impreza			
RS Model			
Passenger Side	64150FE100OE	1.2	309.58
Driver Side	64150FE100OE	1.2	309.58
TS Model			
Passenger Side	64150FE300NF	1.2	201.88
Driver Side	64150FE300NF	1.2	201.88
WRX Model			
Passenger Side	64150FE120OE	1.2	309.58
Driver Side	64150FE120OE	1.2	309.58



Outback			
Passenger Side	64150FE110NF	1.2	201.88
Driver Side	64150FE110NF	1.2	201.88
2 Pad, Seat Back			
w/Side Air Bag			
Passenger Side	64130FE020		98.13
Driver Side	64130FE030		98.13
w/o Side Air Bag			
Passenger Side	64130FE000		98.02
Driver Side	64130FE010		98.02
3 Pad, Heater			
Passenger Side	64111AE020		211.70
Driver Side	64111AE030		211.70
4 Frame, Seat Back			
Impreza			
w/Side Air Bag			
Passenger Side	64110FE020		182.25
Driver Side	64110FE030		182.25
w/o Side Air Bag			
Passenger Side	64110FE000		182.25
Driver Side	64110FE010		182.25
Outback			
Passenger Side	64110FE060		182.25
Driver Side	64110FE070		182.25
5 Module, Side Air Bag-See Air Bag System Section			
6 Cover, Frt Air Bag			
Passenger Side	64290AC120	m	15.22
Driver Side	64290AC120	m	15.22
7 Cover, Rear Air Bag			
Passenger Side	64290AC110	m	30.78
Driver Side	64290AC110	m	30.78
8 Cover, Seat Cushion			
Impreza			
RS Model			
Passenger Side	64140FE080OE		322.45
Driver Side	64140FE090OE		322.45
TS Model			
Passenger Side	64140FE340NF		158.42
Driver Side	64140FE350NF		158.42
WRX Model			
Passenger Side	64140FE120OE		322.45
Driver Side	64150FE120OE		309.58
Outback			
Passenger Side	64140FE100NF		322.45
Driver Side	64140FE100NF		322.45
9 Pad, Seat Cushion			
Impreza			
Sedan			
Passenger Side	64120FE060		116.63
Driver Side	64120FE070		116.63
Wagon			
TS Sport Model			
Passenger Side	64120FE020		112.15
Driver Side	64120FE030		112.15
WRX Sport Model			
Passenger Side	64120FE060		116.63
Driver Side	64120FE070		116.63
Outback			
Passenger Side	64120FE020		112.15
Driver Side	64120FE030		112.15
10 Pad, Heater			
Passenger Side	64111AE000		304.22
Driver Side	64111AE010		304.22
11 Frame, Seat Cushion			
Impreza			
Sedan			
Passenger Side	64100FE040		92.52
Driver Side	64100FE030		92.52
Wagon			
TS Sport Model			
Passenger Side	64100FE040		92.52
Driver Side	64100FE010		92.52
WRX Sport Model			
Passenger Side	64100FE040		92.52
Driver Side	64100FE030		92.52
Outback			
Passenger Side	64100FE040		92.52
Driver Side	64100FE010		92.52
12 Recliner, Seat			
Passenger Side	64171FE020	.8	105.17
Driver Side	64171FE030	.8	105.17

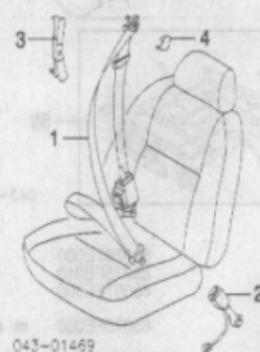
13 Knob, Recliner			
Passenger Side			
Dark Gray	64143AE100MU		3.58
Med Gray	64143AE100NF		2.47
Driver Side			
Dark Gray	64143FE010MU		3.58
Med Gray	64143FE010NF		3.58
14 Cover, Recliner Hinge			
Passenger Side			
Dark Gray	64115FC160MU		2.90
Med Gray	64115FC160NF		2.67
Driver Side			
Dark Gray	64282AA110MU		2.23
Med Gray	64282AA110NF		5.88
15 Cover, Seat Track			
Passenger Side			
Dark Gray	64115FC200MU	.1	15.00
Med Gray	64115FC200NF	.1	15.60
Driver Side			
Dark Gray	64115FE070MU	.1	16.83
Med Gray	64115FE070NF	.1	16.83
16 Track, Seat			
Passenger Side			
Inner	64160FE020	#4	89.87
Outer	64170FE020	#4	89.87
Driver Side			
Inner	64160FE030	#4	89.87
Outer	64170FE030	#4	89.87
#R&R Both One Seat 5			
17 Cable, Adjuster			
Passenger Side	64178FC000		4.95
Driver Side	64178FE000		2.92
18 Headrest			
Impreza			
RS Model			
Passenger Side	64061FE030OE	.1	123.92
Driver Side	64061FE030OE	.1	123.92
TS Sport Model			
Passenger Side	64061FE120NF	.1	123.92
Driver Side	64061FE120NF	.1	123.92
WRX, WRX Sport Model			
Passenger Side	64061FE030OE	.1	123.92
Driver Side	64061FE030OE	.1	123.92
Outback			
Passenger Side	64061FE040NF	.1	123.92
Driver Side	64061FE040NF	.1	123.92
19 Support, Headrest			
Dark Gray	R 64280FA130OE		5.23
	L 64917GA250OE		1.38
Light Gray	R 64280FA130MU		6.47
	L 64917GA250MU		1.86

REAR SEAT

R&I Rear Seat		.5
---------------	--	----

SEAT BELTS

FRONT



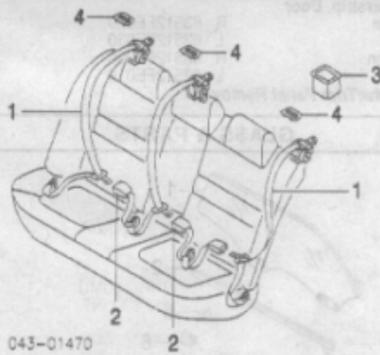
1 Belt, Seat	R 64621FE000NE	#9	299.95
	L 64621FE030NE	#9	299.95
#Includes R&I R&R Upr & Lwr Center Pillar Trim			
2 Buckle, Seat Belt	R 64632AE010ML	.2	59.95
	L 64630FE000ML	.2	59.95
3 Adjuster, Belt	R/L 64715FE000NE		5.38
4 Cover, Anchor	R/L 64703AE000NE		49.95

REAR

SEDAN

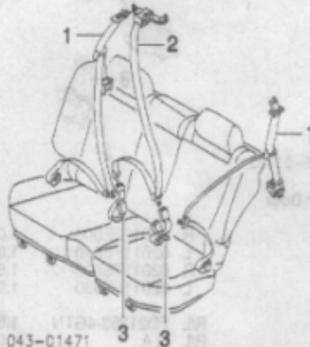
Illustration Located in Next Column

1 Belt, Outer Seat	R 64661FE000NE	#3	179.95
	L 64661FE010NE	#3	179.95
2 Belt, Center Seat	R 64681FE010ML	#3	49.95
	L 64681FE000ML	#3	179.95
#w/Rear Seat Removed			
3 Cover, Locking Retractor	64715FE020		9.80
4 Cover, Seat Belt			
Outer Belt	R/L 64715FE030NE		4.90
Center	64715AE070ML		4.40



043-01470

REAR WAGON



043-01471

1 Belt, Outer Seat	R 64661FE020NE	#3	179.95
	L 64661FE030NE	#3	179.95
2 Belt, Center Seat	64681FE020NE	#3	49.95
3 Buckle, Center Seat	R 64681FE040ML	#3	49.95
	L 64681FE050ML	#3	49.95

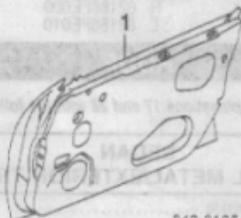
#w/Rear Seat Removed

FRONT DOOR

Use Procedure Explanations 16 and 28 with the following text.

SHEET METAL

Refinish Door Outside	R/L	2.0
Add for Jamb & Interior	R/L	1.0
R&I Door Assy	R/L	.7



043-01054

1 Shell, Door			
Impreza	R 60009FE000	#3.5	416.58
	L 60009FE010	#3.5	416.58
Outback	R 60009FE020	#3.5	416.58
	L 60009FE030	#3.5	416.58

#Includes R&I/R&R Mirror Assy

EXTERIOR TRIM

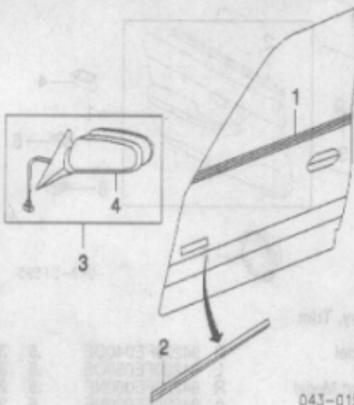
Refinish Door Moulding	R/L	1.0
Refinish Mirror Assy	R/L	.5
R&I Outer Belt Moulding	R/L	.3
R&I Door Moulding Assy	R/L	.2
R&I Mirror Assy	R/L	#6

#Includes R&I Trim Panel

Illustration Located in Next Column

1 Moulding, Outer Belt	R 61280FE000	.3	59.95
	L 61280FE010	.3	59.95
2 Moulding Assy, Door			
Outback	R 91012FE000MR	.2	119.18
	L 91012FE010MR	.2	119.18
Clip, Moulding ¹ (a)	R/L 91017FA190		2.57

¹Included w/Door Moulding Assy
(a) As Required



043-01591

3 Mirror Assy, Door			
Blue Black Metallic (Code VI)	R 91031FE200VI	#3	219.95
	L 91031FE210VI	#3	219.95
Blue Mica (Code PG)	R 91031FE200PG	#3	219.95
	L 91031FE210PG	#3	219.95
Deep Blue Metallic (Code IT)	R 91031FE200IT	#3	219.95
	L 91031FE210IT	#3	219.95
Pure White (Code WG)	R 91031FE200WG	#3	219.95
	L 91031FE210WG	#3	219.95
Red Mica Metallic (Code UV)	R 91031FE200UV	#3	219.95
	L 91031FE210UV	#3	219.95
Silver Metallic (Code TG)	R 91031FE200TG	#3	219.95
	L 91031FE210TG	#3	219.95
Sport Yellow (Code HG)	R 91031FE200HG	#3	137.02
	L 91031FE210HG	#3	137.02
Paint to Match	R 91031FE200NN	#3	139.95
	L 91031FE210NN	#3	139.95

#w/Trim Panel Removed

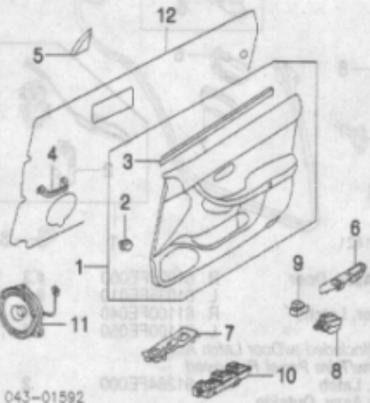
4 Glass, Mirror ¹	R 91039FC040	.3	16.95
	L 91039FC050	.3	16.95

¹Included w/Door Mirror Assy

INTERIOR TRIM

R&I Trim Panel	R/L	.3
----------------	-----	----

NOTE: All Parts in this section are included in R&R Trim Panel unless noted otherwise.



043-01592

1 Panel Assy, Trim			
Impreza			
RS Model	R 94210FE040OE	.5	316.37
	L 94210FE050OE	.5	316.37
TS Sport Model	R 94210FE060NF	.5	277.60
	L 94210FE070NF	.5	277.60
WRX, WRX Sport Model	R 94210FE180OE	.5	327.67
	L 94210FE190OE	.5	327.67
Outback	R 94210FE160NF	.5	293.77
	L 94210FE170NF	.5	293.77

2 Clip, Panel ¹ (12/Side)	R/L 94078FA080		1.70
3 Moulding, Inner Belt ¹	R 61282FE000		33.17
	L 61282FE010		33.17

¹Included w/Trim Panel Assy

4 Bracket, Trim Panel (2/Side)	R/L 94286FE000	#1	22.05
--------------------------------	----------------	----	-------

#w/Trim Panel Removed, Not Included in R&R Trim Panel

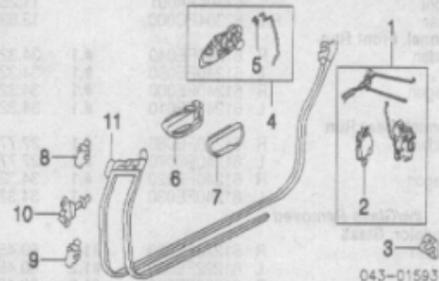
5 Garnish, Upper Trim	R 94251FE000	.1	8.18
	L 94251FE010	.1	8.18
6 Panel, Switch	R 94268FE030OE	.2	8.18
	L 94268FE010OE	.2	9.80
7 Panel, Master Switch	R 83071FE040	.2	24.52
8 Switch, Window	R 83078FE000	.2	30.03
9 Switch, Door Lock	R 83071FE010	.2	90.32
10 Switch, Master	R 86301FE050	#2	35.43
	L 86301FE060	#2	35.43
11 Speaker, Door	R/L 62244FE000	#1	26.13

#w/Trim Panel Removed, Not Included in R&R Trim Panel

HARDWARE

Refinish Outside Handle	R/L	.4
Refinish Upper Hinge	R/L	.3
Refinish Lower Hinge	R/L	.3
R&I Outside Handle	R/L	#1.3

#Includes R&I/R&R Door Glass & R&I Trim Panel



043-01593

1 Latch Assy, Door	R 61032FE040	#3	193.48
	L 61032FE050	#3	193.48
2 Actuator, Latch ¹	R 61100FE000	#4	123.38
	L 61100FE010	#4	123.38

¹Included w/Door Latch Assy
#w/Trim Panel Removed

3 Striker, Latch	R/L 61264FE000	.2	14.68
------------------	----------------	----	-------

4 Handle Assy, Outside			
Blue Black Metallic (Code VI)	R 61021FE020VI	#3	66.65
	L 61021FE030VI	#3	66.65
Blue Mica (Code PG)	R 61021FE020PG	#3	66.65
	L 61021FE030PG	#3	66.65
Deep Blue Metallic (Code IT)	R 61021FE020IT	#3	66.65
	L 61021FE030IT	#3	66.65
Green Metallic (Code QI)	R 61021FE020QI	#3	66.65
	L 61021FE030QI	#3	66.65
Pure White (Code WG)	R 61021FE020WG	#3	66.65
	L 61021FE030WG	#3	66.65
Red Mica Metallic (Code UV)	R 61021FE020UV	#3	66.65
	L 61021FE030UV	#3	66.65
Silver Metallic (Code TG)	R 61021FE020TG	#3	66.65
	L 61021FE030TG	#3	66.65
Sport Yellow (Code HG)	R 61021FE020HG	#3	66.65
	L 61021FE030HG	#3	66.65

Cylinder & Key			
	R 57460FE080	#3	21.23
	L 57460FE090	#3	21.23

#w/Trim Panel & Glass Removed, R&R One Side
Complete

5 Clip, Handle ¹	R 62412FC010		2.02
	L 62412FC000		2.02

¹Included w/Outside Handle Assy

6 Handle, Inside	R 61051FE000ML	#2	25.63
	L 61051FE010ML	#2	25.63

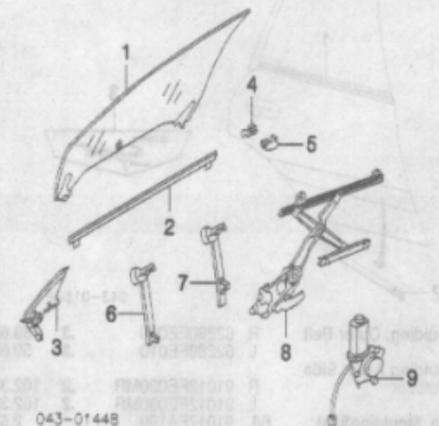
#w/Trim Panel Removed

7 Bezel, Handle	R 61052FE000ML		6.70
	L 61052FE010ML		6.70
8 Hinge, Upper	R 61220FA000	#2	24.93
	L 61220FA010	#2	24.93
9 Hinge, Lower	R 61220FA010	#2	24.93
	L 61220FA000	#2	24.93

#w/Door Removed, Includes Rescaulk Edge

10 Check, Door	R 62302AC101	#2	32.88
	L 62302FC000	#2	32.07
11 Weatherstrip, Door	R 63511FE000		80.03
	L 63511FE010		80.03

GLASS & PARTS



043-01448

1 Glass, Front Door			
Subaru			
Sedan	R 61011FE080	1.0	290.03
	L 61011FE090	1.0	290.03
Wagon	R 61011FE100	1.0	299.28
	L 61011FE110	1.0	299.28
NAGS			
Sedan	R/L FD21351-2GTN	1.0	0.00
Wagon	R/L N.A.	1.0	0.00

2 Moulding, Outer Belt-See Exterior Trim Section			
3 Gusset, Door	R 61158FE000	#2	75.13
	L 61158FE010	#2	75.13

FRONT DOOR Cont'd

GLASS & PARTS Cont'd

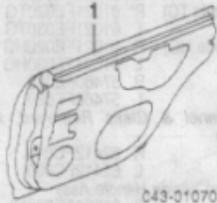
#w/Mirror Assy Removed			
4 Stabilizer, Outer Glass (2/Side)	R/L	61256AE010	12.85
#w/Trim Panel Removed			
5 Stabilizer, Inner Glass (4/Side)			
Front	R/L	62304FA001	11.25
Rear	R/L	62304FC000	13.63
6 Channel, Front Run			
Sedan	R	61240FE040	#.1 34.32
	L	61240FE050	#.1 34.32
Wagon	R	61240FE000	#.1 34.32
	L	61240FE010	#.1 34.32
7 Channel, Rear Run			
Sedan	R	61240FE060	#.1 27.77
	L	61240FE070	#.1 27.77
Wagon	R	61240FE020	#.1 34.32
	L	61240FE030	#.1 34.32
#w/Glass Removed			
8 Regulator, Glass			
Sedan	R	61222FE020	#1.2 60.45
	L	61222FE030	#1.2 60.45
Wagon	R	61222FE000	#1.2 60.45
	L	61222FE010	#1.2 60.45
#Includes R&R Glass			
9 Motor, Regulator			
Sedan	R	61188FE020	#.2 221.52
	L	61188FE030	#.2 221.52
Wagon	R	61188FE000	#.2 221.52
	L	61188FE010	#.2 221.52

REAR DOOR

Use Procedure Explanations 16 and 28 with the following text.

SHEET METAL

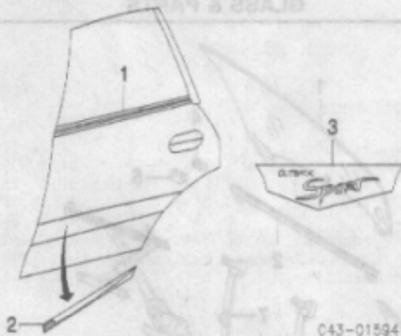
Refinish Rear Door Outside	R/L	2.0
Add for Jamb & Interior	R/L	1.0
R&I Door Assy	R/L	.7



1 Shell, Door			
Sedan	R	60409FE040	3.5 416.58
	L	60409FE050	3.5 416.58
Wagon			
Impreza	R	60409FE000	3.5 416.58
	L	60409FE010	3.5 416.58
Outback	R	60409FE020	3.5 416.58
	L	60409FE030	3.5 416.58

EXTERIOR TRIM

Refinish Side Moulding	R/L	1.0
R&I Outer Belt Moulding	R/L	.3
R&I Door Moulding Assy	R/L	.2

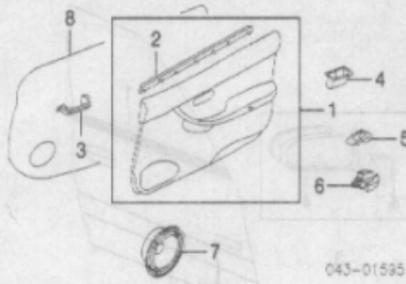


1 Moulding, Outer Belt	R	62280FE000	.3 59.62
	L	62280FE010	.3 59.62
2 Moulding Assy, Side			
Outback	R	91012FE020MR	.2 102.33
	L	91012FE030MR	.2 102.33
Clip, Moulding [†] (a)	R/L	91017FA190	2.57
[†] Included w/Side Moulding Assy			
^(a) As Required			
3 Emblem (Adhesive)			
"OUTBACK SPORT"	R/L	93063FE010	.2 26.95

INTERIOR TRIM

R&I Trim Panel	R/L	.3
----------------	-----	----

NOTE: All Parts in this section are included in R&R Trim Panel unless noted otherwise.

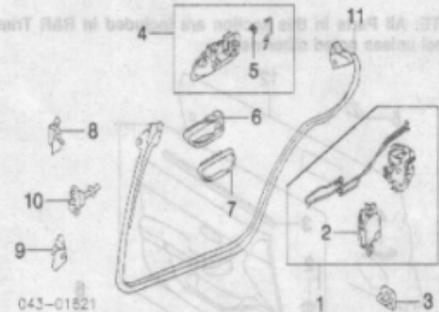


1 Panel Assy, Trim			
Impreza	R	94220FE040OE	.5 336.47
	L	94220FE050OE	.5 336.47
TS Sport Model	R	94220FE060NF	.5 241.12
	L	94220FE070NF	.5 241.12
WRX, WRX Sport Model	R	94220FE180OE	.5 350.48
	L	94220FE190OE	.5 350.48
Outback	R	94220FE160NF	.5 308.43
	L	94220FE170NF	.5 308.43
2 Weatherstrip, Inner Belt [†]			
	R	61282FE020	30.03
	L	61282FE030	30.03
[†] Included w/Trim Panel Assy			
3 Bracket, Trim Panel	R/L	94286FE000	#.1 22.05
^{#w/Trim Panel Removed, Not Included in R&R Trim Panel}			
4 Pocket, Armrest	R	94248FE000	12.43
	L	94248FE010	12.43
5 Panel, Switch	R	94266FE050OE	.2 5.72
	L	94266FE060OE	.2 5.72
6 Bracket, Door	R/L	83071FE040	24.52
7 Speaker, Radio	R/L	86301FE070	#.2 51.88
8 Shield, Moisture	R/L	62244FE000	#.1 26.13
^{#w/Trim Panel Removed, Not Included in R&R Trim Panel}			

HARDWARE

Refinish Outside Handle	R/L	.4
Refinish Upper Hinge	R/L	.3
Refinish Lower Hinge	R/L	.3
R&I Outside Handle	R/L	#1.3

^{#Includes R&R Door Glass & R&I Trim Panel}

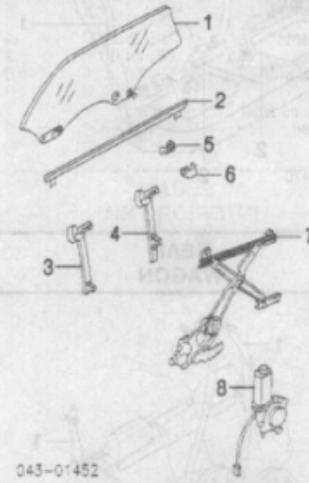


1 Latch Assy, Door	R	61035FE000	#.3 193.48
	L	61035FE010	#.3 193.48
2 Actuator, Latch [†]	R	61100FE040	#.4 123.38
	L	61100FE050	#.4 123.38
[†] Included w/Door Latch Assy			
^{#w/Trim Panel Removed}			
3 Striker, Latch	R/L	61264FE000	.2 14.68
4 Handle Assy, Outside			
Blue Black Metallic (Code VI)	R	61022FE020VI	#.3 66.65
	L	61022FE030VI	#.3 66.65
Blue Mica (Code PG)	R	61022FE020PG	#.3 66.65
	L	61022FE030PG	#.3 66.65
Deep Blue Metallic (Code IT)	R	61022FE020IT	#.3 66.65
	L	61022FE030IT	#.3 66.65
Green Metallic (Code QI)	R	61022FE020QI	#.3 66.65
	L	61022FE030QI	#.3 66.65
Pure White (Code WG)	R	61022FE020WG	#.3 66.65
	L	61022FE030WG	#.3 66.65
Red Mica Metallic (Code UV)	R	61022FE020UV	#.3 66.65
	L	61022FE030UV	#.3 66.65
Silver Metallic (Code TG)	R	61022FE020TG	#.3 66.65
	L	61022FE030TG	#.3 66.65
Sport Yellow (Code HG)	R	61022FE020HG	#.3 66.65
	L	61022FE030HG	#.3 66.65
^{#w/Trim Panel & Glass Removed}			
5 Clip, Handle [†]	R	62412FC010	2.02
	L	62412FC000	2.02
[†] Included w/Outside Handle Assy			
6 Handle, Inside	R	61051FE000ML	#.2 25.63
	L	61051FE010ML	#.2 25.63
^{#w/Trim Panel Removed}			
7 Bezel, Handle	R	61052FE000ML	6.70
	L	61052FE010ML	6.70
8 Hinge, Upper	R	61520FA000	#.2 24.93
	L	61520FA020	#.2 24.93
9 Hinge, Lower	R	61520FA010	#.2 24.93
	L	61520FA030	#.2 24.93
^{#w/Door Removed}			
10 Check, Door	R/L	63302FC000	#.2 34.07
^{#w/Trim Panel Removed}			

11 Weatherstrip, Door			
Sedan	R	63512FE020	78.43
	L	63512FE030	78.43
Wagon	R	63512FE000	78.43
	L	63512FE010	78.43

^{#w/Trim Panel Removed}

GLASS & PARTS



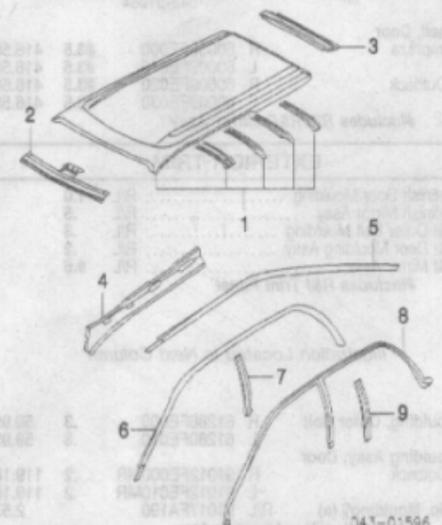
1 Glass, Rear Door			
Subaru			
Sedan	R	62011FE000	1.0 169.95
	L	62011FE010	1.0 169.95
Wagon	R	62011FE020	1.0 169.95
	L	62011FE030	1.0 169.95
NAGS			
Sedan	R/L	FD21353-4GTN	1.0 0.00
Wagon	R/L	N.A.	1.0 0.00
2 Moulding, Inner Belt-See Exterior Trim Section			
3 Channel, Front			
Sedan	R	62240FE040	#.1 27.77
	L	62240FE050	#.1 27.77
Wagon	R	62240FE000	#.1 27.77
	L	62240FE010	#.1 27.77
4 Channel, Rear			
Sedan	R	62240FE060	#.1 27.77
	L	62240FE070	#.1 27.77
Wagon	R	62240FE020	#.1 27.77
	L	62240FE030	#.1 27.77
^{#w/Glass Removed}			
5 Stabilizer, Outer (2/Side)	R/L	61256AE010	12.85
6 Stabilizer, Inner (2/Side)			
Front	R/L	62304FC000	13.63
Rear	R/L	62304FA001	11.25
7 Regulator, Glass	R	62222FE000	#1.2 60.45
	L	62222FE010	#1.2 60.45
^{#Includes R&R Glass}			
8 Motor, Regulator	R	62188FE000	#.2 221.52
	L	62188FE010	#.2 221.52

ROOF

Use Procedure Explanations 17 and 28 with the following text.

SEDAN SHEET METAL/EXTERIOR TRIM

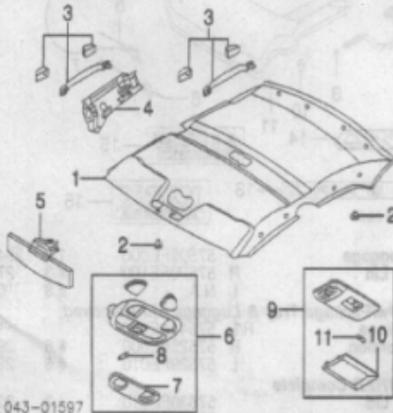
Refinish Roof Outside	2.6
-----------------------	-----



1 Panel, Roof	53600FE020	18.0	294.40
2 Panel, Front Header	53400FE010	1.5	78.43
3 Panel, Rear Header	53410FE010	1.5	40.87
4 Rail, Inner Side	R 51525FE020		62.08
	L 51525FE030		62.08
5 Moulding, Roof	R 91046FE060	.3	68.58
	L 91046FE070	.3	68.58
Clip, Moulding [†]	R/L 909130022		1.58
[†] As Required			
6 Moulding, Drip	R 63531FE020	.6	210.28
	L 63531FE030	.6	210.28
7 Moulding, Center	R 63542FE020	.2	16.83
	L 63542FE030	.2	16.83
8 Weatherstrip, Side	R 63521FE020	#.6	120.57
	L 63521FE030	#.6	120.57
[†] Includes R&R Drip Moulding			
9 Cover, Center	R 63563FE020	.2	22.05
	L 63563FE030	.2	22.05

SEDAN INTERIOR TRIM

R&I Headliner..... 2.0

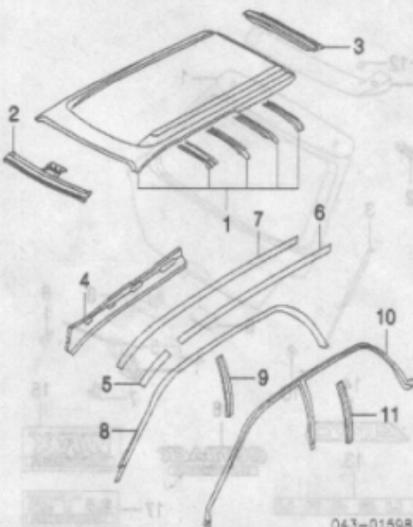


043-01597

1 Headliner			
RS Model	94410FE040NE	2.0	273.40
WRX Model	94410FE030NE	2.0	273.40
2 Clip, Headliner			
Front	94422KC030		1.40
Rear (4)	94415FA000NE		1.73
3 Handle, Assist			
w/Coat Hanger (1)	92043FE011NE	.2	29.42
w/o Coat Hanger (3)	92043FE001NE	.2	26.13
4 Bracket, Rear Handle	R 94088FE860		24.52
	L 94088FE870		24.52
5 Visor, Center	92011FE130NE		17.98
6 Lamp Assy, Frt Dome	84621AE020NE	.2	49.00
7 Lens, Dome [†]	84910AC320	#.1	14.40
8 Bulb, Dome [†] (2)	784920330	#.1	1.95
[†] Included w/Frt Dome Lamp Assy			
[†] R&R Complete			
9 Lamp Assy, Center Dome	84601AE000NE	.2	26.92
10 Lens, Dome Lamp [†]	84910AE010	#.1	4.87
11 Bulb, Dome [†]	784920330	#.1	1.95
[†] Included w/Center Dome Lamp Assy			
[†] R&R Complete			

WAGON SHEEL METAL/EXTERIOR TRIM

Refinish Roof Outside..... 3.0

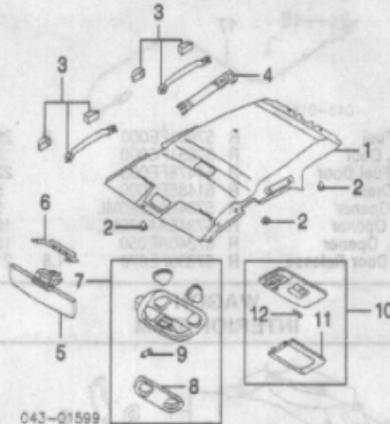


043-01598

1 Panel, Roof	53600FE000	22.0	336.47
2 Panel, Front Header	53400FE000	1.5	78.43
3 Panel, Rear Header	53410FE000	1.5	96.37
4 Rail, Inner Side	R 51525FE000		66.98
	L 51525FE010		66.98
5 Moulding, Front Roof w/Roof Rack	R 91046FE020	.2	19.58
	L 91046FE030	.2	19.58
6 Moulding, Rear Roof w/Roof Rack	R 91046FE040	.3	40.87
	L 91046FE050	.3	40.87
7 Moulding, Roof w/o Roof Rack	R 91046FE000	.3	68.58
	L 91046FE010	.3	68.58
Clip, Moulding [†]	R/L 909130022-1		1.58
[†] As Required			
8 Moulding, Drip	R 63531FE000	.6	210.28
	L 63531FE010	.6	210.28
9 Moulding, Center	R 63542FE000	.2	16.83
	L 63542FE010	.2	16.83
10 Weatherstrip, Side	R 63521FE000	#.6	123.38
	L 63521FE010	#.6	123.38
[†] Includes R&R Drip Moulding			
11 Cover, Center	R 63563FE000	.2	22.05
	L 63563FE010	.2	22.05

WAGON INTERIOR TRIM

R&I Headliner..... 2.0

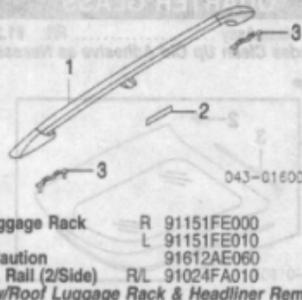


043-01599

1 Headliner			
TS Sport Model	94411FE030NE	2.0	245.35
WRX Sport Model	94411FE020NE	2.0	245.35
2 Clip, Headliner			
Front	94422KC030		1.40
Center (4)	94415FA000NE		1.73
Rear (2)	94415FC060NE		.98
3 Handle, Assist			
w/Coat Hanger (1)	92043FE011NE	.2	29.42
w/o Coat Hanger (3)	92043FE001NE	.2	26.13
4 Bracket, Rear Handle [†]	R 94088FE100		24.52
	L 94088FE110		24.52
[†] Order by Application			
5 Visor, Center	92011FE130NE		17.98
6 Bracket, Visor	92044FE020		3.25
7 Lamp Assy, Frt Dome	84621AE020NE	.2	49.00
8 Lens, Dome [†]	84910AC320	#.1	14.40
9 Bulb, Dome [†] (2)	784920330	#.1	1.95
[†] Included w/Frt Dome Lamp Assy			
[†] R&R Complete			
10 Lamp Assy, Center Dome	84601AE000NE	.2	26.92
11 Lens, Dome Lamp [†]	84910AE010	#.1	4.87
12 Bulb, Dome [†]	784920330	#.1	1.95
[†] Included w/Center Dome Lamp Assy			
[†] R&R Complete			

ROOF LUGGAGE RACK

R&I Roof Luggage Rack Assy..... .5

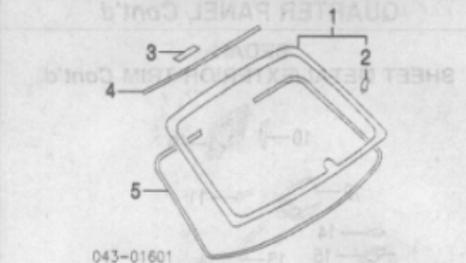


043-01600

1 Rail, Luggage Rack	R 91151FE000	.4	266.37
	L 91151FE010	.4	266.37
2 Label, Caution	91612AE060		1.73
3 Bracket, Rail (2/Side)	R/L 91024FA010	#.1	5.95
[†] w/Roof Luggage Rack & Headliner Removed			

BACK WINDOW

Use Procedure Explanation 19 with the following text.
R&I Back Window Glass Assy #1.9
[†]Includes Clean Up Old Adhesive as Necessary



043-01601

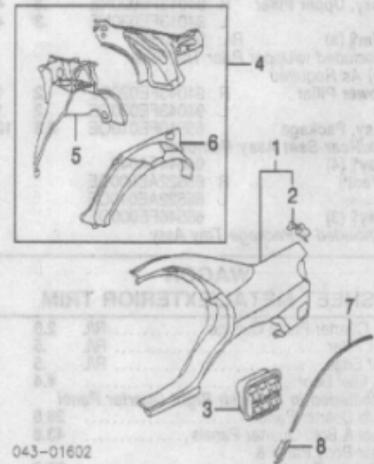
1 Glass Assy, Back Window			
Subaru NAGS	65109FE020	#1.5	461.99
	FB21355GTN	#1.5	0.00
[†] Includes Clean Up Old Adhesive as Necessary			
2 Retainer, Glass [†]	R 65132AC000		4.07
	L 65132AC010		4.07
[†] Included w/Back Window Glass Assy			
3 Fastner, Glass	65026FC000		1.95
4 Moulding, Upper	65158FE000		24.03
5 Dam, Glass	65145FE000		21.73

QUARTER PANEL

Use Procedure Explanations 20 and 28 with the following text.

SEDAN SHEET METAL/EXTERIOR TRIM

Refinish Quarter Panel Outside	R/L	1.9
Add for Pillar	R/L	.5
Add for Edge	R/L	.5
Refinish Fuel Door		#.4
[†] Included in Refinish Right Quarter Panel		
R&R Both Quarter Panels		27.1
R&R Roof & Both Quarter Panels		41.9
R&R Rear Body Panel & Both Quarter Panels		28.5
R&R Roof, Both Quarters & Rear Body Panel		43.5
Add to R&R Quarter Panel		
R&I Back Glass		.3



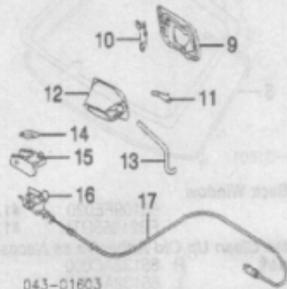
043-01602

1 Panel Assy, Outer Quarter			
RS Model	R 51439FE120	#15.5	365.91
	L 51439FE130	#15.0	365.91
WRX Model	R 51439FE140	#15.5	365.91
	L 51439FE150	#15.0	365.91
[†] Deduct 3.5 w/Roof Removed, Deduction Includes Common Surfaces & Included Operations			
2 Patch, Quarter Panel [†]	R 51477FE040	1.5	13.87
	L 51477FE050	1.5	13.87
[†] Included w/Outer Quarter Panel Assy			
3 Vent, Air	R/L 72651AE010	.1	13.87
4 Panel Assy, Inner Quarter	R 51510FE020	s 6.0	361.55
	L 51510FE030	s 6.0	361.55
5 Wheelhouse, Inner [†]	R 51650FE000	s 4.0	299.98
	L 51650FE010	s 4.0	299.98
6 Wheelhouse, Outer [†]	R 51560FE020	3.0	98.13
	L 51560FE030	3.0	98.13
[†] Included w/Inner Quarter Panel Assy			
7 Moulding, Upper Wheelhouse	R/L 91016FE020	.2	22.88
8 Moulding, Lower Wheelhouse	R 91022FE000	.2	11.43
	L 91022FE010	.2	11.43

Illustration Located in Next Column

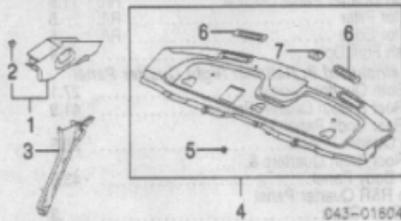
QUARTER PANEL Cont'd

**SEDAN
SHEET METAL/EXTERIOR TRIM Cont'd**



9 Door, Fuel	R 57601FE010	.3	26.13
10 Hinge, Door	R 57610AC000		14.95
11 Spring, Door	R 57651FC000		2.47
12 Reinf, Fuel Door	R 51478FE010		22.88
13 Hose, Drain	R 51485FC000		5.02
14 Knob, Opener	R 57346AA010ML		7.60
15 Cover, Opener	R 57345AA070ML		16.50
16 Handle, Opener	R 57340AE040		16.98
17 Cable, Door Release	R 57330FA030	1.5	26.88

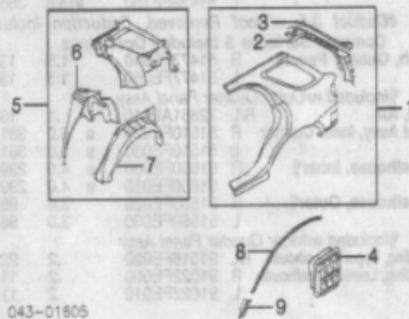
**SEDAN
INTERIOR TRIM**



1 Trim Assy, Upper Pillar	R 94013FE020NE	.3	47.37
	L 94013FE030NE	.3	47.37
2 Clip, Trim* (a)	R/L 909130077		2.63
*Included w/Upper Pillar Trim Assy			
(a) As Required			
3 Trim, Lower Pillar	R 94043FE020OE	.2	13.42
	L 94043FE030OE	.2	13.42
4 Tray Assy, Package	R 65510FE010OE	#.3	126.17
*w/Rear Seat Assy Removed			
5 Clip, Tray* (4)	R 94044TA040		.60
6 Grille, Vent* (1)	R 65522AE000OE		2.30
	L 65522AE010OE		2.30
7 Cap, Tray* (3)	R 65546FE000OE		3.58
*Included w/Package Tray Assy			

**WAGON
SHEET METAL/EXTERIOR TRIM**

Refinish Quarter Panel Outside	R/L	2.6
Add for Pillar	R/L	.5
Add for Edge	R/L	.5
Refinish Fuel Door		#.4
*Included In Refinish Right Quarter Panel		
R&R Both Quarter Panels		26.8
R&R Roof & Both Quarter Panels		43.8
R&R Rear Body Panel & Both Quarter Panels		23.8
R&R Roof, Both Quarters & Rear Body Panel		45.8
Add to R&R Quarter Panel		
R&I Quarter Glass	R/L	.2

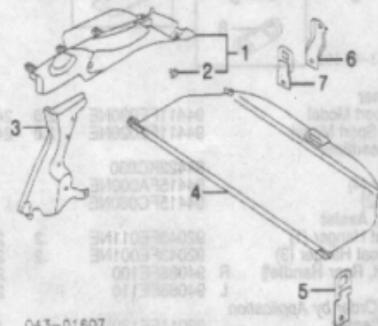


1 Panel Assy, Outer Quarter			
Impreza			
TS Sport Model	R 51439FE040	#14.5	375.06
	L 51439FE050	#14.0	375.06
WRX Sport Model			
	R 51439FE060	#14.5	375.06
	L 51439FE070	#14.0	375.06
Outback			
	R 51439FE040	#14.5	375.06
	L 51439FE050	#14.0	375.06

#Deduct 2.5 w/Roof Removed, Deduction Includes Common Surfaces & Included Operations			
2 Reinf, Rear Pillar*	R 51472FE320	#3.0	114.95
	L 51472FE330	#3.0	114.95
#w/Rear Bumper & Rear Combination Lamp Assy Removed, Includes R&R Rear Pillar Extension			
3 Extension, Rear Pillar*	R 51475FE000	1.5	19.58
	L 51475FE010	1.5	19.58
*Included w/Outer Quarter Panel Assy			
4 Vent, Air	R/L 72651AE010	.1	13.87
5 Panel Assy, Inner Quarter	R 51510FE000	# 6.5	372.85
	L 51510FE010	# 6.5	372.85
6 Wheelhouse, Inner*	R 51650FE020	# 4.0	299.98
	L 51650FE030	# 4.0	299.98
7 Wheelhouse, Outer*	R 51660FE000	3.0	98.13
	L 51660FE010	3.0	98.13
*Included w/Inner Quarter Panel Assy			
8 Moulding, Upper Wheelhouse	R/L 91016FE020	.2	22.88
9 Moulding, Lower Wheelhouse	R 91022FE020	.2	11.43
	L 91022FE030	.2	11.43

10 Door, Fuel	R 57601FE000	.3	26.13
11 Spring, Door	R 57651FC000		2.47
12 Reinf, Fuel Door	R 51478FE000		22.88
13 Hose, Drain	R 51485FC000		5.02
14 Knob, Opener	R 57346AA020ML		9.77
15 Cover, Opener	R 57345AA070ML		16.50
16 Handle, Opener	R 57340AE050		13.55
17 Cable, Door Release	R 57330FE070	1.5	21.23

**WAGON
INTERIOR TRIM**



1 Trim, Upper Pillar	R 94015FE020NE	.4	86.57
	L 94015FE030NE	.4	86.57
2 Cover, Trim	R 94053FE020NE		5.55
	L 94053FE030NE		5.55
3 Trim, Lower Pillar			
Dark Gray	R 94047FE080OE	.3	89.87
	L 94047FE090OE	.3	89.87
Light Gray	R 94047FE080NF	.3	89.87
	L 94047FE090NF	.3	89.87
4 Cover, Tonneau	R 65550FE000NF	.1	217.42
5 Hook, Front	R/L 94072FE000NF	.1	7.87
6 Hook, Rear	R/L 94072FE010NF	.1	7.87
7 Bracket, Rear Hook	R/L 94080FE000		5.72

QUARTER GLASS

R&I Quarter Glass Assy	R/L	#1.2	
*Includes Clean Up Old Adhesive as Necessary			
1 Glass Assy, Quarter			
Subaru	R 65210FE000	#1.0	349.95
	L 65210FE010	#1.0	349.95
NAGS	R/L N.A.	#1.0	0.00
*Includes Clean Up Old Adhesive as Necessary			
2 Fastener, Rear Glass*	R/L 65254AE010		2.47
3 Dam, Glass*	R/L 65245FE000		11.93

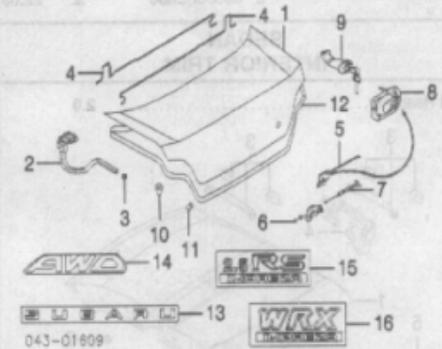
*Included w/Quarter Glass Assy		2 47
4 Fastener, Front Glass	R/L 65254AE000	

LUGGAGE LID

Use Procedure Explanations 24 and 28 with the following text.

SHEET METAL/EXTERIOR TRIM

Refinish Luggage Lid Outside		2.2
Add for Underside		1.1
Refinish Hinge	R/L	.2
R&I Luggage Lid Assy		.3
Add to R&R Luggage Lid		
To Drill for & Install Spoiler		.7



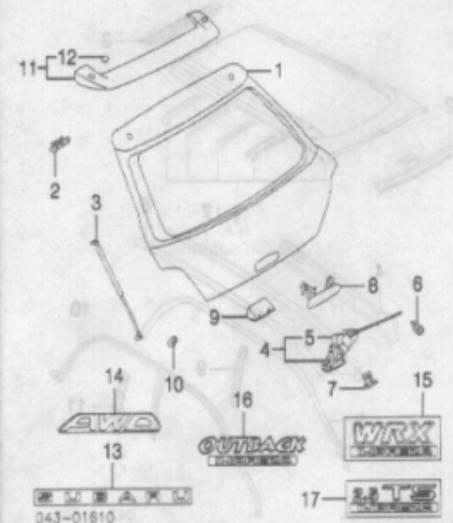
1 Lid, Luggage	R 57509FE000	1.2	294.95
2 Hinge, Lid	R 57520FE100	#.3	27.77
	L N.A.	#.3	0.00
#w/Package Tray & Luggage Lid Removed			
3 Cap, Hinge	R/L 57546AE000		1.20
4 Bar, Torsion	R 57529FE000	#.6	29.42
	L 57529FE010	#.6	29.42
#R&R Complete			
5 Latch, Lid	R 57530FE010	.3	39.22
6 Striker	R 57531AE010	.2	20.42
7 Cable, Lid	R 57330FE030	1.3	21.23
8 Handle, Inside	R 57560FE000	.3	68.58
9 Cylinder & Key	R 57449AE000	.3	24.52
10 Stopper, Front Lid	R/L 57533AA010	.1	1.78
11 Stopper, Rear Lid	R/L 57533FE000	.1	2.13
12 Weatherstrip, Lid Emblem (Adhesive)	R 57532FE000	.3	44.12
13 "SUBARU"	R 93073FE110	.2	52.95
14 "AWD"	R 91572FE010	.2	4.23
15 "2.5RS IMPREZA"	R 93073FE040	.2	34.95
16 "WRX IMPREZA"	R 93073FE050	.2	34.95

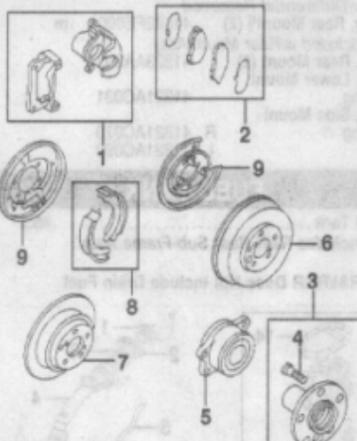
LIFTGATE

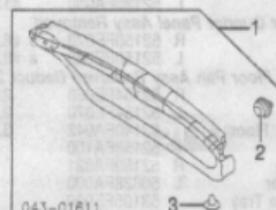
Use Procedure Explanations 25 and 28 with the following text.

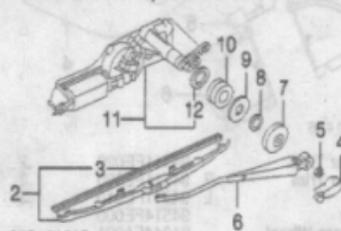
SHEET METAL/EXTERIOR TRIM

Refinish Liftgate Outside		3.0
Add for Underside		1.5
Refinish Hinge	R/L	.3
Refinish Outside Handle		.3
Refinish Spoiler		1.0
R&I Liftgate		.5
Add to R&R Liftgate		
To Transfer Back Glass		.6
To Drill for & Install Spoiler		.7



1 Shell, Liftgate Impreza TS Sport Model 60800FE060 4.4 408.33 WRX Sport Model 60800FE070 #4.7 408.33 #Includes R&I/R&R Spoiler	4 Cap, Arm Impreza 86538AA010 4.13 5 Nut, Wiper Arm 021806000 .40 6 Arm, Wiper 86532AC290 #.2 30.95 #Includes R&R Blade or Insert	
2 Hinge Outback 60800FE060 4.4 408.33 R/L 61820FC100 #.2 21.88 #w/Liftgate Removed	7 Pivot, Wiper 86535AE000 1.68 8 Washer, Pivot 902100035 4.37 9 Spacer, No. 1 Wiper 86525AE010 1.98 10 Bushing, Wiper 86536AE000 1.82 11 Motor Assy, Wiper 86510FE060 #.4 199.95 #Included in R&R Back Glass	
3 Strut, Liftgate R/L 63269FE000 .3 98.18 4 Latch Assy 63032FE000 .3 224.32 5 Actuator 63100FE000 154.22 #Included w/Latch Assy	12 Spacer, No. 2 Wiper 86525AE000 .60 #Included w/Wiper Motor Assy	
6 Cylinder & Key 57460FE070 .3 24.52 7 Striker 60301FC000 .2 11.82	REAR SUSPENSION	
8 Handle, Outside Blue Black Metallic (Code VI) 63160FE000VI .5 70.23 Blue Mica (Code PG) 63160FE000PG .5 70.23 Deep Blue Metallic (Code IT) 63160FE000IT .5 70.23 Green Metallic (Code QI) 63160FE000QI .5 70.23 Pure White (Code WG) 63160FE000WG .5 70.23 Red Mica Metallic (Code UV) 63160FE000UV .5 70.23 Silver Metallic (Code TG) 63160FE000TG .5 70.23 Sport Yellow (Code HG) 63160FE000HG .5 70.23	<p><i>Use Procedure Explanation 23 with the following text.</i></p> <p>R&I Suspension (One Side) R/Lm 1.5 O/H Suspension (Includes R&I) One Side R/Lm 3.5 Both Sides m 6.6 Adjust Four Wheel Alignment m 1.6 Adjust Rear Alignment m 1.1 Bleed Brake System m .6</p> <p>NOTE 1: R&I/R&R or O/H Does Not include alignment or bleed brake system.</p> <p>NOTE 2: All Parts in this section are included in overhaul unless noted otherwise.</p>	
9 Handle, Inside 10 Stopper, Liftgate R/L 906600001 .1 1.98 Weatherstrip N.A. .4 0.00	 <p>043-01411</p>	
11 Spoiler Blue Black Metallic (Code VI) 96031FE000VI .5 395.65 Blue Mica (Code PG) 96031FE000PG .5 395.65 Pure White (Code WG) 96031FE000WG .5 395.65 Red Mica Metallic (Code UV) 96031FE000UV .5 395.65 Silver Metallic (Code TG) 96031FE000TG .5 395.65	 <p>043-01411</p>	
12 Cover, Spoiler Blue Black Metallic (Code VI) R 96075FE000VI 3.93 L 96075FE010VI 3.93 Blue Mica (Code PG) R 96075FE000PG 3.93 L 96075FE010PG 3.93 Pure White (Code WG) R 96075FE000WG 3.93 L 96075FE010WG 5.43 Red Mica Metallic (Code UV) R 96075FE000UV 3.93 L 96075FE010UV 3.93 Silver Metallic (Code TG) R 96075FE000TG 3.93 L 96075FE010TG 3.93	 <p>043-01411</p>	
13 Emblem (Adhesive) "SUBARU" 93073FE110 .2 52.95 "AWD" 91572FE010 .2 4.23 "WRX IMPREZA" 93073FE050 .2 34.95 "OUTBACK IMPREZA" Chrome 93073FE090 .2 34.95 Gold 93081FA040 .2 54.95 "2.5TS IMPREZA" 93073FE030 .2 34.95	 <p>043-01615</p>	

INTERIOR TRIM			
 <p>043-01611</p>			
1 Trim Assy, Liftgate 94330FE010 .3 63.70 2 Clip, Liftgate 693005370 .70 #Included w/Liftgate Trim Assy	3 Clip, Lower (3) 94099AA200NF 1.62		

GLASS & PARTS			
 <p>043-01612</p>			
1 Glass, Back Subaru 63011FE000 #2.8 517.61 NAGS N.A. #2.8 0.00 #Includes Clean Up Old Adhesive as Necessary	 <p>043-01613</p>		
2 Blade Assy, Wiper 86542AE070 .1 10.95 3 Insert, Wiper 86548AE030 .1 7.50			

4 Cap, Arm Impreza 86538AA010 4.13 5 Nut, Wiper Arm 021806000 .40 6 Arm, Wiper 86532AC290 #.2 30.95 #Includes R&R Blade or Insert	7 Pivot, Wiper 86535AE000 1.68 8 Washer, Pivot 902100035 4.37 9 Spacer, No. 1 Wiper 86525AE010 1.98 10 Bushing, Wiper 86536AE000 1.82 11 Motor Assy, Wiper 86510FE060 #.4 199.95 #Included in R&R Back Glass
12 Spacer, No. 2 Wiper 86525AE000 .60 #Included w/Wiper Motor Assy	

REAR SUSPENSION

Use Procedure Explanation 23 with the following text.

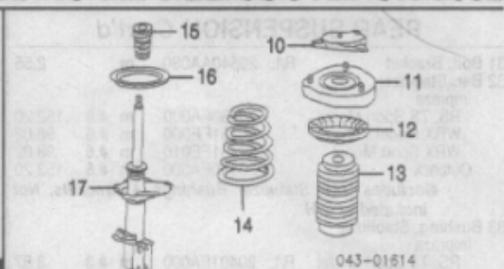
R&I Suspension (One Side) R/Lm 1.5
O/H Suspension (Includes R&I)
One Side R/Lm 3.5
Both Sides m 6.6
Adjust Four Wheel Alignment m 1.6
Adjust Rear Alignment m 1.1
Bleed Brake System m .6

NOTE 1: R&I/R&R or O/H Does Not include alignment or bleed brake system.

NOTE 2: All Parts in this section are included in overhaul unless noted otherwise.

1 Caliper, Brake R 26692FC000 m #.5 199.95 L 26692FC010 m #.5 199.95 #w/Rotor Removed Deduct .3, R&R Both Sides .8	2 Pad Set, Brake 26696FC002 m #1.0 68.75 #Deduct .5 for Each Caliper Removed
3 Hub Assy w/ABS R/L 28052AA031 m #1.5 150.83 w/o ABS R/L 28052FC000 m #1.5 114.94 #Includes R&R Brake Rotor or Drum & Bearing	4 Stud, Wheel 5/8 Side R/L 28055AA002 m 2.95 #Included w/Hub Assy
5 Bearing Impreza R/L 28016FC000 m 1.5 56.50 RS, TS Sport Model	6 Drum, Brake w/ABS R/L 26740FA000 m #.5 119.95 w/o ABS R/L 26340AA010 m #.5 119.95 #R&R Both Sides .8
7 Rotor, Brake R/L 26310AA051 m #.6 69.95 #R&R Both Sides 1.0	8 Shoe Set, Brake Impreza R/L 26298AA020 m #1.4 41.95 RS, WRX, WRX Sport Model 26298AA010 m #1.4 41.95 TS Sport Model 26298AA020 m #1.4 41.95 #Includes R&R Brake Drums
9 Plate, Backing Impreza R/L 26255AA061 m #1.5 127.42 RS, WRX, WRX Sport Model L 26255AA071 m #1.5 127.42	10 TS Sport Model w/ABS R 26655FA000 m #1.5 52.48 L 26655FA010 m #1.5 52.48 w/o ABS R 26255AA020 m #1.5 41.52 L 26255AA030 m #1.5 33.65 Outback R 26655FA000 m #1.5 52.48 L 26655FA010 m #1.5 52.48
Knuckle, Rear R 28419FE000 m #1.5 154.22 L 28419FE010 m #1.5 154.22 #R&R One Side Complete, Includes R&R Brake Drum or Rotor, Hub Assy & Bearing, R&R Both Sides 2.8	

10 Cap, Strut R/L 20327AC000 6.87	11 Mount, Strut Impreza RS, TS Sport Model R L 20370AC201 m #2.0 68.80 L 20370AC211 m #2.0 70.65 WRX, WRX Sport Model R L 20370AC241 m #2.0 65.33 L 20370AC251 m #2.0 65.33 Outback R L 20370AC241 m #2.0 65.33 L 20370AC251 m #2.0 65.33
12 Pad, Upper Spring R/L 20375AC030 m #2.0 16.95	13 Cover, Strut R/L 20372AA000 m #2.0 13.13
14 Spring, Coil Impreza Sedan RS Model R/L N.A. m #2.0 0.00 WRX Model R L 20380FE620 m #2.0 73.53 L 20380FE630 m #2.0 73.53 Wagon TS Sport Model R/L N.A. m #2.0 0.00 WRX Sport Model R L 20380FE630 m #2.0 73.53 L 20380FE640 m #2.0 73.53 Outback R L 20380FE600 m #2.0 73.53 L 20380FE610 m #2.0 73.53	15 Bumper, Strut R/L 20371FE110 m #2.0 22.88
16 Pad, Lower Spring R/L 20375FC000 m #2.0 9.52	17 Strut Sedan R 20360FE140 m #2.0 119.95 R 20360FE150 m #2.0 119.95 Wagon R 20360FE040 m #2.0 119.95 L 20360FE050 m #2.0 119.95
#R&R One Side Complete, w/Trailing Arm Assy Removed Deduct 1.2, R&R Both Sides 3.8	
18 Arm Assy, Frt Trailing Sedan R/L 20250FE000 m .5 98.02 Wagon R/L 20250AC100 m .5 107.35	19 Bushing, Link Front R/L 20251AA010 m #.3 26.17 Rear R/L 20251AA000 m #.3 26.17 #Included w/Frt Trailing Arm Assy #R&R One Side Complete, w/Frt Trailing Arm Removed
20 Arm Assy, Rear Trailing Sedan R 20250FE040 m .5 112.15 L 20250FE050 m .5 112.15 Wagon R 20255AA320 m .5 99.95 L 20255AA330 m .5 99.95	21 Bushing, Arm Front R/L 20251AA040 m #.3 13.38 Rear R/L 20251AA061 m #.3 6.78 #Included w/Rear Trailing Arm Assy #R&R One Side Complete, w/Rear Trailing Arm Removed
22 Bracket, Link R/L 20481AA001 m #.3 94.32	23 Bolt, Link R/L 20540AA000 m #.3 25.47 #R&R One Side Complete, Not Included in O/H
24 Bolt, Cam R/L 20540AA111 m 3.22	25 Cap, Bolt R/L 20530AA020 m 8.98
26 Link Assy, Trailing Impreza RS, TS Sport Model R/L 20270AA001 m .5 82.75 WRX, WRX Sport Model R/L 20270AA080 m .5 99.95 Outback R/L 20270AA001 m .5 82.75	27 Bushing, Frt Link Impreza RS, TS Sport Model R/L 20271AA021 m #.2 30.40 WRX, WRX Sport Model R/L 20271AA040 m #.2 19.85 Outback R/L 20271AA021 m #.2 30.40 #Included w/Trailing Link Assy #w/Trailing Link Assy Removed
28 Bushing, Rear Link R/L 20271AA010 m 29.10	29 Bolt, Link R/L 901000109 m 1.93
30 Bracket, Trailing Link R 20540FE020 m 17.15 L 20540FE030 m 17.15	



#R&R One Side Complete, w/Trailing Arm Assy Removed Deduct 1.2, R&R Both Sides 3.8

SUBARU IMPREZA/OUTBACK 2002

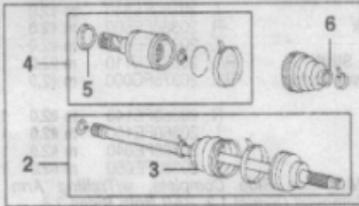
REAR SUSPENSION Cont'd

31 Bolt, Bracket	R/L	20540AA080	m	2.55
32 Bar, Stabilizer				
<i>Impreza</i>				
RS, TS Sport Model		20450FA000	m #6	152.20
WRX Model		20451FE000	m #6	98.02
WRX Sport Model		20451FE010	m #6	98.02
Outback		20450FA000	m #6	152.20
#Includes R&R Stabilizer Bushings & Brackets, Not Included in O/H				
33 Bushing, Stabilizer				
<i>Impreza</i>				
RS, TS Sport Model	R/L	20401FA000	m #3	3.87
WRX Model	R/L	21047GA840	m #3	7.38
WRX Sport Model	R/L	20401AA020	m #3	3.93
Outback	R/L	20401FA000	m #3	3.87
34 Bracket, Bushing	R/L	20402AA000	m #3	8.98
#R&R One Side Complete, Not Included in O/H				
35 Bracket, Stabilizer Bar	R/L	20520FA000	m	14.55
36 Sub-Frame				
<i>Impreza</i>				
RS, TS Sport Model		20150FE000	m #4.0	291.33
WRX, WRX Sport Model		20150FE010	m #4.0	291.33
Outback		20150FE000	m #4.0	291.33
#Not Included in O/H				

REAR DRIVE AXLE

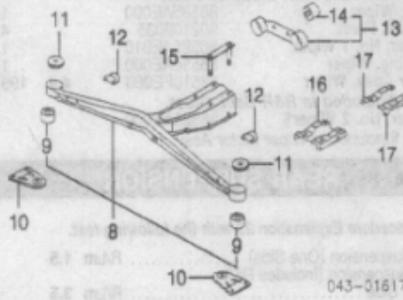
R&I Axle Shaft Assy (One Side) R/Lm #7
 O/H Axle Shaft Assy (Includes R&I) R/Lm #1.5
#w/Rear Knuckle Removed Deduct .5

NOTE: All Parts in this section are included in overhaul unless noted otherwise.



1 Shaft Assy, Axle				
<i>Impreza</i>				
RS Model	R	28421FE160	m #7	359.95
	L	28421FE170	m #7	359.95
TS Sport Model	R	28421FE180	m #7	359.95
	L	28421FE190	m #7	359.95
WRX Model	R	28421FE120	m #7	359.95
	L	28421FE130	m #7	359.95
WRX Sport Model	R	28421FE140	m #7	359.95
	L	28421FE150	m #7	359.95
Outback	R	28421FE180	m #7	359.95
	L	28421FE190	m #7	359.95
2 Shaft Assy, Outer [†]				
<i>Impreza</i>				
RS Model	R	28491FE160	m #1.5	309.73
	L	28491FE170	m #1.5	309.73
TS Sport Model	R	28491FE180	m #1.5	309.73
	L	28491FE190	m #1.5	309.73
WRX Model	R	28491FE120	m #1.5	309.73
	L	28491FE130	m #1.5	309.73
WRX Sport Model	R	28491FE140	m #1.5	309.73
	L	28491FE150	m #1.5	309.73
Outback	R	28491FE180	m #1.5	309.73
	L	28491FE190	m #1.5	309.73
#w/Rear Knuckle Removed Deduct .5				
3 Boot, Outer [†] (a)				
<i>Impreza</i>				
RS, TS Sport Model	R/L	28423FE020	m	9.65
WRX, WRX Sport Model	R/L	28423FE010	m	13.25
Outback	R/L	28423FE020	m	9.65
(a) Included w/Outer Shaft Assy				
4 Joint Assy, Inner [†]				
<i>Impreza</i>				
RS, TS Sport Model	R/L	28492FE020	m #1.5	189.63
WRX, WRX Sport Model	R/L	28492FE000	m #1.5	171.70
Outback	R/L	28492FE020	m #1.5	189.63
#w/Rear Knuckle Removed Deduct .5				
5 Plate, Baffle [†] (a)	R/L	23233GA091	m	5.95
(a) Included w/Inner Joint Assy				
6 Boot, Inner [†]				
<i>Impreza</i>				
RS, TS Sport Model	R/L	28023AA130	m	12.92
WRX, WRX Sport Model	R/L	28423FE000	m	13.25
Outback	R/L	28023AA130	m	12.92
#Included w/Axle Shaft Assy				
7 Differential				
<i>2.0L Eng</i>				
Man Trans		27011AA690	m #1.6	1380.16
Auto Trans		27011AA680	m #1.6	1380.16
<i>2.5L Eng</i>				
RS Model				
Man Trans		27011AA660	m #1.6	1380.16
Auto Trans		27011AA670	m #1.6	1380.16

TS Sport Model
 Man Trans 27011AA660 m #1.6 1380.16
 Auto Trans 27011AA650 m #1.6 1380.16
#Not Included in O/H

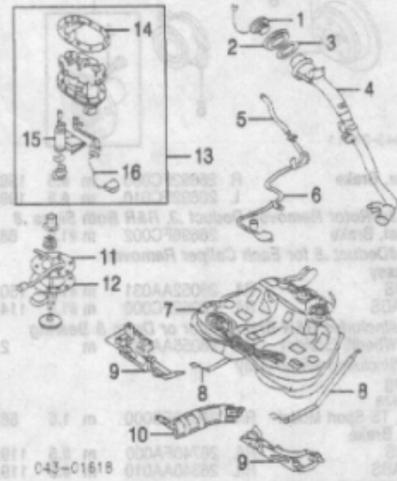


8 Mount Assy, Differential		41310FE000	m #2.2	95.35
#Includes R&R Differential, Not Included in O/H				
9 Bushing, Mount [†]	R/L	41322AC060	m	36.62
#Included w/Differential Mount Assy				
10 Bracket, Mount	R/L	41321FA040		16.00
11 Stopper, Mount	R/L	41324FA000		8.13
12 Damper, Mount				
<i>Man Trans</i>				
13 Mount Assy, Rear	R/L	41322AC050	m	48.27
		41310FE020	m #5	62.08
#w/Differential Removed				
14 Bushing, Rear Mount [†] (2)		41322FE000	m	22.88
#Included w/Rear Mount Assy				
15 Bracket, Rear Mount (2)		41323AA003		10.45
16 Bracket, Lower Mount				
<i>2.0L Eng</i>				
		41321AC031		21.23
<i>2.5L Eng</i>				
17 Bracket, Side Mount	R	41321AC070		9.92
	L	41321AC090		9.92

FUEL TANK

R&I Fuel Tank #5.2
#Includes R&R Rear Sub-Frame Assy

NOTE: R&R Does Not Include Drain Fuel.



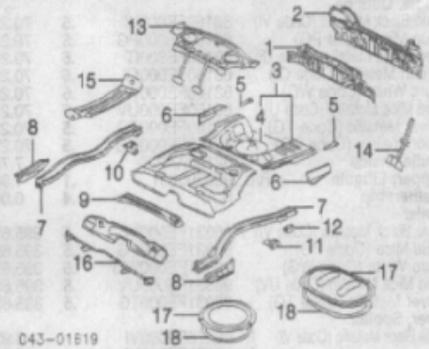
1 Cap, Filler		42032FC000		19.95
2 Ring, Filler		42056AA011		2.27
3 Packing, Filler		42060GA081		7.33
4 Pipe, Filler		42066FE020	#8	91.15
5 Hose, Evaporator		42075FE070		8.18
6 Pipe, Return		42068FE190		19.58
7 Tank, Fuel				
<i>2.0L Eng</i>				
		42012FE020	m #5.4	479.99
<i>2.5L Eng</i>				
		42012FE030	m #5.4	434.24
#Includes R&R Rear Sub Frame Assy				
8 Strap, Tank	R	42172AA161		75.77
	L	42172AA181		84.60
9 Protector, Front Tank	R	42061AA041		18.88
	L	42061AA031		19.80
10 Protector, Center Front Tank		42054FE000		31.02
11 Sender, Fuel		42072AA120		6.95
12 Gasket, Sender		N.A.		0.00
13 Pump Assy, Fuel				
<i>2.0L Eng</i>				
		42021FE010	m #7	329.95
<i>2.5L Eng</i>				
		42021FE020	m #7	329.95
14 Gasket, Pump [†]		42060AA040	m #7	9.22
15 Pump, Fuel [†]				
<i>2.0L Eng</i>				
		42022FE000	m #7	279.95
<i>2.5L Eng</i>				
		42022FE010	m #7	279.95
16 Sensor, Level [†]				
<i>2.0L Eng</i>				
		42081FE020	m #7	73.53
<i>2.5L Eng</i>				
		42081FE030	m #7	73.53
#Included w/Fuel Pump Assy				
#R&R Complete, Included in R&R Fuel Tank				

REAR BODY

Use Procedure Explanations 26 and 28 with the following text.

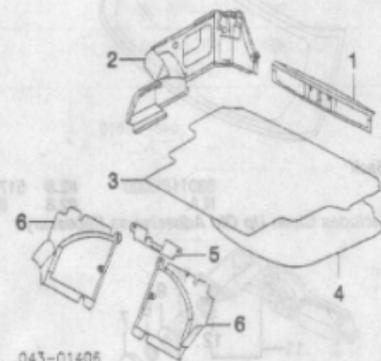
SHEET METAL

Refinish Rear Body Panel Outside			
Sedan		1.5	
Add for Edge & Interior		.8	
Wagon		1.0	
Add for Edge & Interior		.5	
Refinish Rear Floor Pan Assy		1.0	



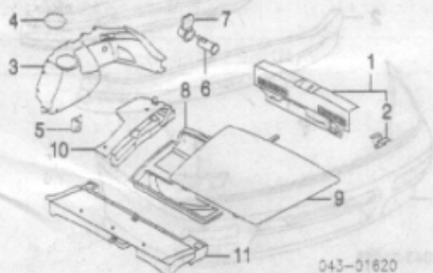
Panel, Rear Body				
<i>1 Sedan</i>				
		52411FE010	#6.0	165.55
#Deduct 2.3 for Each Quarter Panel Removed, Deduction Includes Common Surfaces & Included Operations				
<i>2 Wagon</i>				
		52411FE000	#5.0	185.40
#Deduct 1.5 for Each Quarter Panel Removed, Deduction Includes Common Surfaces & Included Operations				
3 Pan Assy, Rear Floor		52129FE000	#12.0	203.30
#w/Rear Body Panel Removed, Deduct 2.0 for Each Inner Quarter Panel Assy or Inner Wheelhouse Removed				
4 Bracket, Spare Wheel [†]		52153AA630	.5	3.45
#Included w/Rear Floor Pan Assy				
5 Gusset, Floor				
<i>R</i>				
		52153FE000		15.15
<i>L</i>				
		52163FE010		15.15
6 Extension, Floor				
<i>R</i>				
		52120FA040	#1.0	39.95
<i>L</i>				
		52120FA050	#1.0	39.95
#w/Outer Quarter Panel Assy Removed				
7 Rail, Side				
<i>R</i>				
		52150FE070	s #8.0	210.28
<i>L</i>				
		52150FE080	s #8.0	210.28
#w/Rear Floor Pan Assy Removed Deduct 2.0				
8 Sill, Side				
<i>R</i>				
		52154FE060	2.5	65.33
<i>L</i>				
		52154FE070	2.5	65.33
9 Crossmember, Floor		52140FA042	3.5	93.87
10 Tow Hook		52153FA100		18.63
11 Hook, Tractive	R	52159FA021		39.97
12 Bracket, Muffler	L	50828FA000		6.68
13 Panel, Package Tray		53105FE020		154.22
14 Reinf, Seat	R	96201FE000		24.52
	L	96201FE010		24.52
15 Reinf, Anchor	R	50826FE080		17.98
	L	50826FE090		17.98
16 Guard, Pipe		50816FC010		64.75
17 Cover, Fuel Tank	R	96018AA001		54.95
	L	96018AA011		54.95
18 Seal, Cover	R	96077FE000		8.18
	L	96077FE010		6.55

INTERIOR TRIM SEDAN



1 Panel, Rear Trim		94511FE020	.2	49.00
2 Panel, Side Trim	R	94511FE000	.3	98.02
	L	94511FE010	.3	98.02
3 Mat, Floor		94514FE000		84.93
4 Cover, Spare Wheel		91044FA001		62.70
5 Trim, Upper Bulkhead		94511FE060		8.18
6 Trim, Side Bulkhead	R	94511FE040		62.08
	L	94511FE050		62.08

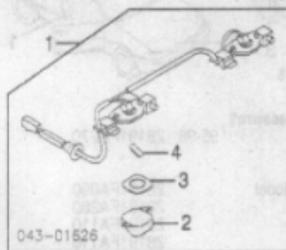
INTERIOR TRIM WAGON



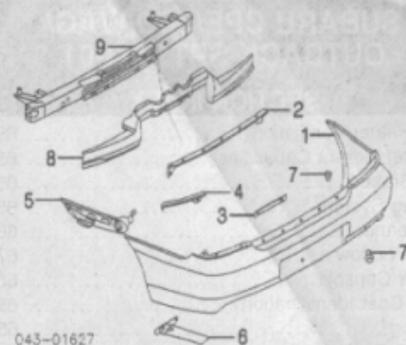
1 Panel Assy, Rear Trim	R 94026FE010	.3	27.77
2 Clip, Panel [†] (a)	909100028		.98
<i>†Included w/Rear Trim Panel Assy (a) As Required</i>			
3 Panel, Side Trim			
Impreza			
TS Sport Model	R 94047FE010NF	.3	89.87
	L 94047FE040NF	.3	89.87
WRX Sport Model	R 94047FE050OE	.3	89.87
	L 94047FE040OE	.3	89.87
Outback	R 94047FE020NF	.3	89.87
	L 94047FE040NF	.3	89.87
4 Cover, Strut			
Impreza			
TS Sport Model	R 94053FE000NF		11.12
	L 94053FE010NF		11.12
WRX Sport Model	R 94053FE000OE		11.12
	L 94053FE010OE		11.12
Outback	R 94053FE000NF		11.12
	L 94053FE010NF		11.12
5 Hook	R 92020FA010ND		1.93
6 Socket, Accessory	R 86711FA060		19.50
7 Cap, Socket	R 86712FA010		7.87
8 Pan, Spare Wheel	95055FE000		49.00
9 Carpet, Spare Wheel	95066FE000NF		104.92
10 Carpet, Side	R 95067FE000NF		16.22
	L 95067FE010NF		23.58
11 Carpet, Rear	95065FE000NF		27.98

6 Socket, Bulb [†]	R/L 84931FE010	45.75
<i>†Included w/Combination Lamp Assy</i>		
7 Cover, Side Lamp	R 84953FE020	17.15
	L 84953FE030	17.15

LICENSE LAMP

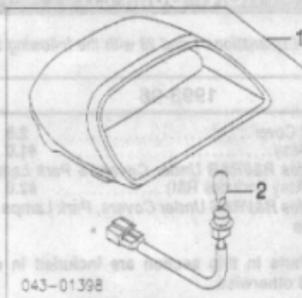


1 Lamp Assy, License	84301FE000	#.3	29.47
<i>#w/Bumper Assy Removed, Included in R&R or O/H Rear Bumper Cover</i>			
2 Lens, License [†]	R/L 84910KA000	#.1	2.57
3 Seal, Lens [†]	R/L 84940KA010	#.1	2.18
4 Bulb, License [†]	R/L 784920080	#.1	1.50
<i>†Included w/License Lamp Assy #R&R One Side Complete</i>			



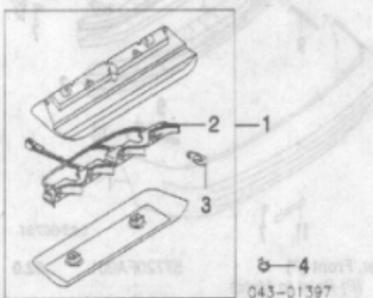
2 Retainer, Upper	57711FE030	43.20
3 Base, License Plate	757745510	5.50
4 Bracket, Upper Side		
Sedan	R 57717FE210	13.90
	L 57717FE220	13.90
Wagon	R 57717FE190	13.90
	L 57717FE200	13.90
5 Bracket, Lower Side		
Sedan	R 57717FE170	27.77
	L 57717FE180	27.77
Wagon	R 57717FE150	27.77
	L 57717FE160	27.77
6 Cover, Side	R 57731FE180	6.78
	L 57731FE190	6.78
7 Clip, Bumper (16)	909140007	.70
8 Absorber, Bumper	57705FE010	IOH 64.95
9 Reinforcement, Bumper	57711FE020	IOH 239.95

HIGH MOUNT STOP LAMP SEDAN



1 Lamp Assy, Stop	84701AC000ML	.3	80.85
2 Bulb [†]	84920AA020	.1	1.95
<i>†Included w/Stop Lamp Assy</i>			

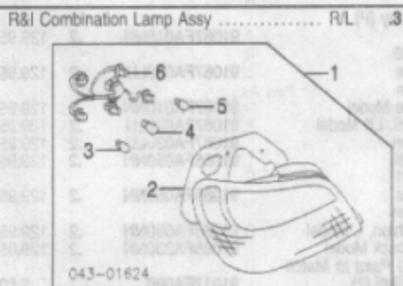
HIGH MOUNT STOP LAMP WAGON



1 Lamp Assy, Stop	84701FE020NE	#.3	73.65
<i>#Included in R&R Liftgate</i>			
2 Holder, Bulb [†]	84931FA110		10.03
3 Bulb [†] (4)	84920AA020	.1	1.95
<i>†Included w/Stop Lamp Assy</i>			
4 Cap, Lamp	R/L N.A.		0.00

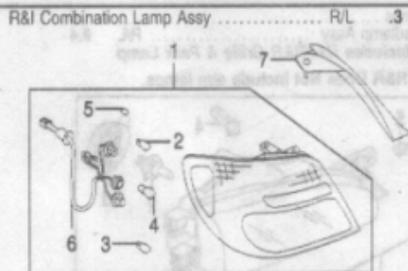
REAR LAMPS

COMBINATION LAMP SEDAN



R&I Combination Lamp Assy	R/L	.3	
1 Lamp Assy, Combination	R 84201FE020	.3	159.95
	L 84201FE030	.3	159.95
2 Seal, Lamp [†]	R 84940FE010		17.15
	L 84940FE060		17.15
3 Bulb, Tail/Stop [†] (2/Side)	R/L 84920FE000	#.2	5.95
4 Bulb, Back-Up/Stop [†] (2/Side)	R/L 84920FE010	#.2	11.95
5 Bulb, Signal [†]	R/L 84920FA020	#.2	2.95
<i>#R&R One Side Complete</i>			
6 Socket, Bulb [†]	R/L 84931FE030		45.75
<i>†Included w/Combination Lamp Assy</i>			

COMBINATION LAMP WAGON



R&I Combination Lamp Assy	R/L	.3	
1 Lamp Assy, Combination	R 84201FE060	.3	159.95
	L 84201FE070	.3	159.95
2 Bulb, Tail/Stop [†] (2/Side)	R/L 84920FE000	#.2	5.95
3 Bulb, Back-Up/Stop [†] (2/Side)	R/L 84920FE010	#.2	11.95
4 Bulb, Signal [†]	R/L 84920FA020	#.2	2.95
5 Bulb, Side Marker [†]	R/L 784920080	#.2	1.50
<i>#R&R One Side Complete</i>			

REAR BUMPER

Use Procedure Explanations 27 and 28 with the following text.

Refinish Bumper Cover	2.5
R&I Bumper Assy	1.0
O/H Bumper Assy (Includes R&I)	1.5

NOTE: All Parts in this section are included in overhaul unless noted otherwise.

Illustration Located in Next Column

1 Cover, Bumper (P)		
Sedan	57704FE060	1.5 179.95
Wagon	57704FE040	1.5 179.95
<i>(P) Paint to Match</i>		