

REAR BUMPER Cont'd

WAGON Cont'd

17 Clip, Lower (16)	909140007		.70
18 Absorber, Impact	57712AE01A	IOH	239.95
19 Retainer, Upper	57711AE23A	IOH	239.95
20 Plug, No. 1	909400005		.94
21 Plug, No. 2	909400006		.40
22 Plug, No. 3	R 57753AA021		2.12
	L 57765AE01A		3.47

SUBARU LEGACY/OUTBACK 1995-99

SECTION INDEX

A/C Refrigerant Capacities..... 704

ABS/Brakes..... 707

Air Bag System..... 706

Air Cleaner..... 711

Air Conditioning/Heater..... 704

Back Window..... 718

Center Console..... 713

Clear Coat Identification..... 702

Cooling..... 704

Cowl & Dash..... 712

Cruise Control System..... 708

Electrical..... 712

Emission System..... 711

Engine/Trans..... 710

Engine/Trans Mounts..... 710

Exhaust..... 711

Front Bumper..... 702

Front Door..... 715

Front Drive Axle..... 709

Front Fender..... 705

Front Inner Structure..... 706

Front Lamps..... 703

Front Seat..... 714

Front Steering Linkage/Gear..... 709

Front Suspension..... 708

Fuel Tank..... 723

Grille..... 703

Hood..... 704

Information Labels..... 702

Instrument Panel..... 713

Liftgate..... 721

Luggage Lid..... 720

Paint Code Location..... 702

Quarter Glass..... 720

Quarter Panel..... 719

Rear Body..... 723

Rear Bumper..... 725

Rear Door..... 716

Rear Drive Axle..... 723

Rear Lamps..... 724

Rear Seat..... 714

Rear Suspension..... 721

Rocker/Pillars/Floor..... 713

Roof..... 717

Seat Belts..... 714

Special Cautions..... 702

Steering Pump..... 709

Steering Wheel/Column..... 709

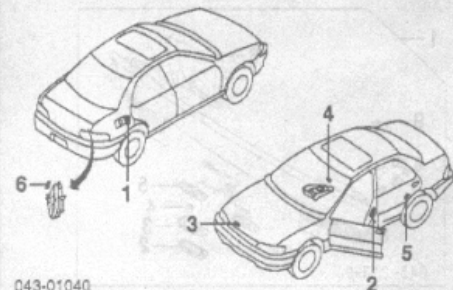
Stripe Tape..... 705

Sunroof..... 718

Underhood Dimensions..... 706

Wheel..... 708

Windshield..... 712



043-01040

1 Label, Unleaded Fuel

1995	91519GA420	1.40
1996		
Man Trans	10024AA080	1.44
Auto Trans	10024AA070	1.98
1997-99	10024AA080	1.44

2 Label, Tire Pressure† 28191AC100 2.13

†Order by Application

3 Label, A/C

95	73750AC020	7.98
96	73750AC130	6.53
97	73750AC170	4.03
98-99	73750AC210	4.38

4 Label, Shift Lock 791528500 9.75

5 Label, Child Lock R/L 760182000 1.98

6 Label, Jack (a) 97035FA010 6.17

(a) Located on Jack

Label, Side	R 91042AC740	0.00
	L 91042AC750	0.00

Label, Roof Caution

w/Sunroof	91580AC030	4.60
w/o Sunroof	91550AA860	8.38

FRONT BUMPER

Use Procedure Explanations 1 and 28 with the following text.

W/O OUTBACK MODEL

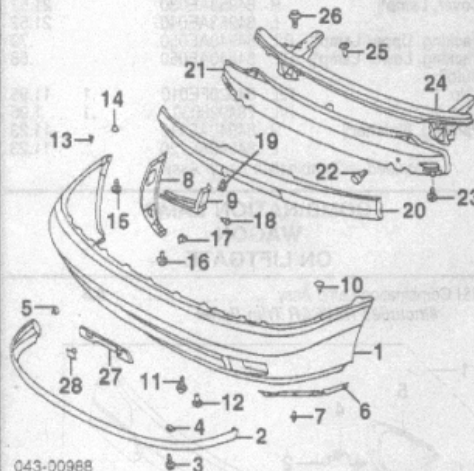
Refinish Front Cover.....	2.0
Refinish Air Deflector.....	.6
R&I Cover Assy.....	#1.5
O/H Bumper Assy (Includes R&I).....	#1.9

#Includes R&I/R&R Fender Liner & Vapor Canister

Add to R&R or O/H Bumper Assy

w/Air Deflector.....	.5
w/Fog Lamps.....	.3

NOTE: All Parts in this section are included in overhaul unless noted otherwise.



043-00988

1 Cover, Front (P)

1995-96	57730AC020	#1.9	229.95
1997-99			
w/GT Model	57730AC160	#1.9	229.95
w/o GT Model	57730AC020	#1.9	229.95

(P) Paint to Match

#Includes R&I/R&R Fender Liner & Vapor Canister

2 Deflector, Air

GT Model			
Dark Gray	96 57791AC000	.5	164.95
Paint to Match	96 57791AC000	.5	164.95

3 Bolt, Air Deflector (13)

GT Model	96 52435GA030	1.38
----------	---------------	------

4 Nut, Bolt (13)

GT Model	96 52430GA811	3.32
----------	---------------	------

5 Clip, Air Deflector

GT Model	96 R/L 41111AA000	2.98
----------	-------------------	------

6 Spoiler, Under

96-99 R	57791AC040	11.27
L	57791AC050	11.27

7 Clip, Under Spoiler (4/Side) R/L 57795AC010 .80

8 Bracket, Cover Side

R	57724AC252	IOH	24.95
L	57724AC262	IOH	24.95

SPECIAL CAUTIONS

SRS

SUPPLEMENTAL RESTRAINT SYSTEM

Refer to Procedure Explanation 29 for Supplemental Restraint/Air Bag Special Cautions.

PAINT CODE LOCATION

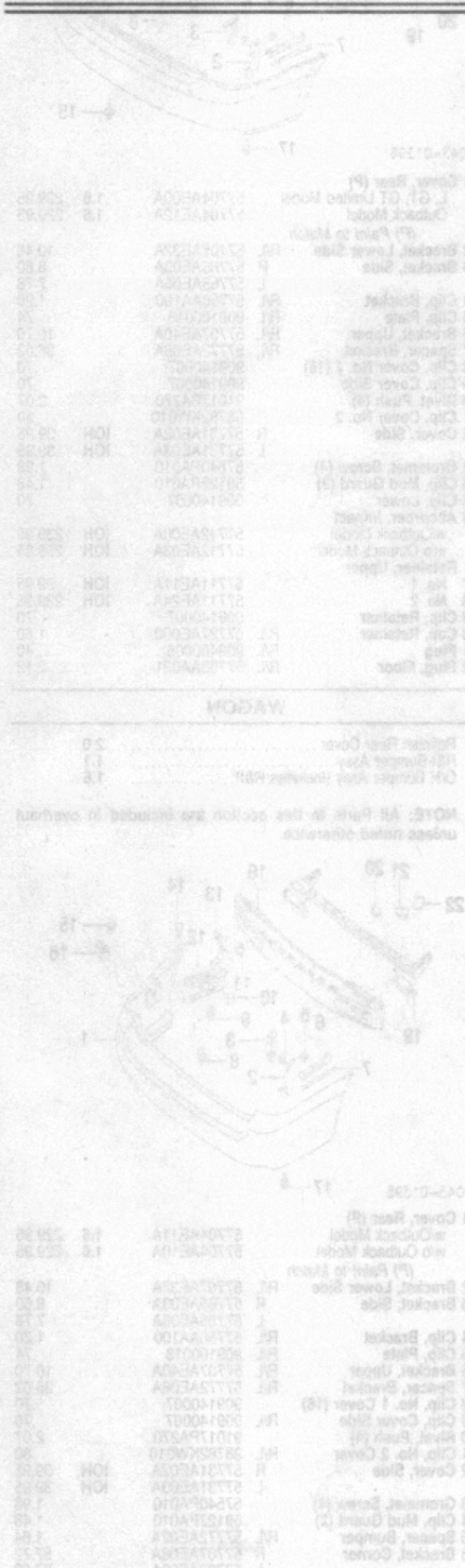
Paint code located on left shock tower.

CLEAR COAT IDENTIFICATION

All colors are clear coat.

INFORMATION LABELS

Illustration Located in Next Column



SUBARU LEGACY/OUTBACK 1995-99

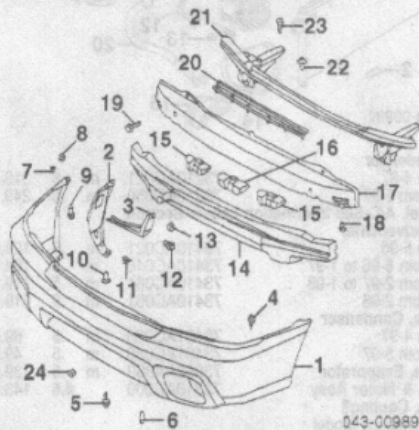
9 Stay, Cover To 7-94	R 57714AC040	8.50	
	L 57714AC050	8.50	
From 8-94	R 57714AC040	8.50	
	L 57714AC050	8.50	
10 Clip, Cover Upper	R/L 59122PA010	1.48	
11 Bolt, Cover Lower	R/L 57719AA020	1.54	
12 Clip, Cover Lower 2/Side	R/L 57728AC000	2.22	
13 Rivet (2/Side)	R/L 905920026	.72	
14 Grommet	R/L 57717AC000	1.80	
15 Screw, Side 2/Side	R/L 96059FA000	1.86	
16 Screw, Bracket/Cover To 7-94	R/L 57719AA020	1.54	
From 8-94	R/L 57750AA090	1.92	
17 Clip, Cover Side	R/L 57750AA100	1.20	
18 Clip, Cover Front	R/L 57728AC020	2.22	
19 Nut, Bolt	R/L 023706000	.34	
20 Absorber, Impact w/GT Model	96 57721AC070	IOH 64.95	
	97-99 57721AC080	IOH 64.95	
w/o GT Model	95-97 57721AC070	IOH 64.95	
	98-99 57721AC080	IOH 64.95	
21 Bar, Reinforcement	95-97 57732AC020	IOH 129.95	
	98-99 57732AC021	IOH 239.95	
22 Bolt, Reinf Bar Outer	R/L 57716AC000	4.27	
23 Bolt, Reinf Bar Inner 2/Side	R/L 57717AC010	1.10	
24 Beam, Rear w/GT Model			
To 5-95	57732AC240	IOH 149.95	
From 6-95 to 5-96	57732AC240	IOH 149.95	
From 6-96 to 4-97	57732AC350	IOH 129.95	
From 5-97	57732AC220	IOH 149.95	
w/o GT Model			
To 5-95	57732AC240	IOH 149.95	
From 6-96 to 4-97	57732AC240	IOH 149.95	
From 5-97	57732AC220	IOH 149.95	
25 Clip, Rear Beam (7)	57750AA090	1.92	
26 Bolt & Washer	R/L 901120047	2.53	
27 Bracket, License Plate w/GT Model			
To 5-96	57724AC110	.2 16.25	
From 6-96 to 4-97	57794AC190	.2 29.95	
From 5-97	57794AC180	.2 19.95	
w/o GT Model			
To 4-97	57724AC110	.2 16.25	
From 5-97	57794AC180	.2 19.95	
28 Clip, Bracket	R/L 57795AC000	1.72	

W/OUTBACK MODEL

Refinish Front Cover	2.0
R&I Cover Assy	#1.8
O/H Bumper Assy (Includes R&I)	#2.3

#Includes R&I/R&R Fender Liner & Vapor Canister

NOTE: All Parts in this section are included in overhaul unless noted otherwise.



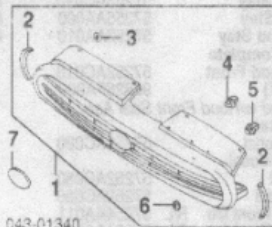
043-00989

1 Cover, Front (P) Paint to Match	57730AC080	#2.3	229.95
#Includes R&I/R&R Fender Liner & Vapor Canister			
2 Bracket, Cover Side	R 57724AC252	IOH	24.95
	L 57724AC262	IOH	24.95
3 Stay, Cover	R 57714AC040	8.50	
	L 57714AC050	8.50	
4 Clip, Cover Upper	R/L 59122PA010	1.48	
5 Bolt, Cover Lower 2/Side	R/L 57719AA020	1.54	
6 Clip, Cover Lower 2/Side	R/L 57728AC000	2.22	
7 Rivet 2/Side	R/L 905920026	.72	
8 Grommet	R/L 57717AC000	1.80	
9 Screw, Side 2/Side	R/L 96059FA000	1.86	
10 Clip, Cover Front (18)	L 57750AA090	1.92	
11 Clip, Cover Side	R/L 57750AA100	1.20	
12 Clip, Cover Front	R/L 57728AC020	2.22	
13 Nut, Bolt	R/L 023706000	.34	
14 Absorber, Impact			
From 6-95 to 5-96	57721AC050	IOH 64.95	
From 6-96	57721AC090	IOH 64.95	

15 Bracket, Absorber Outer	R/L 57744AC190	IOH 29.95
16 Bracket, Absorber Inner	57744AC180	IOH 29.95
17 Bar, Reinforcement To 4-97	57732AC020	IOH 129.95
From 5-97	57732AC021	IOH 239.95
18 Bolt, Reinf Bar Outer	R/L 57717AC010	1.10
19 Bolt, Reinf Bar Inner 2/Side	R/L 57716AC000	4.27
20 Bracket, Reinf Bar	57723AC100	IOH 34.50
21 Beam, Rear	57732AC220	IOH 149.95
22 Clip, Rear Beam (11)	57750AA090	1.92
23 Bolt & Washer	R/L 901120047	2.53
24 Grommet, Screw	757762050	5.83

GRILLE

R&I Grille Assy 2



043-01340

1 Grille Assy			
w/Outback Model			
w/Limited Model	95 91061AC130	.3	142.95
	96-97 91061AC130	.3	142.95
	98 91061AC161	.3	229.95
	99 91061AC340	.3	231.55
w/o Limited Model	95-97 91061AC091	.3	129.95
	98-99 91061AC091	.3	129.95
w/o Outback Model			
w/GT Model			
To 5-95	91061AC120	.3	142.95
From 6-95 to 5-96	91061AC120	.3	142.95
From 5-96 to 6-96	91061AC091	.3	129.95
From 7-96 to 4-97	91061AC161	.3	229.95
From 5-97	91061AC161	.3	229.95
w/o GT Model			
To 5-95	91061AC120	.3	142.95
From 6-95 to 4-97	91061AC120	.3	142.95
From 5-97	91061AC161	.3	229.95

2 Spacer, Grille Side			
w/Outback Model	95-97 R/L 91064AC030	11.43	
	98-99 R/L 91064AC020	6.35	

w/o Outback Model			
w/GT Model			
To 5-96	R/L 91064AC020	6.35	
From 6-96	R/L 91064AC030	11.43	
w/o GT Model	R/L 91064AC020	6.35	
3 Clip, Grille Upper (7)	R/L 91017AA161	1.90	

4 Clip, Inner Upper			
To 4-97 (2/Side)	R/L 91017AA010	3.80	
From 5-97 (6/Side)	R/L 91017AA010	3.80	

5 Clip, Inner Lower			
To 4-97	R/L 91059FC090	1.76	
From 5-97 (3/Side)	R/L 91059FC090	1.76	

6 Cushion, Grille	R/L 91064AC000	1.95	
-------------------	----------------	------	--

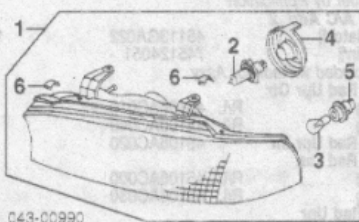
#Included w/Grille Assy

7 Emblem Center			
w/Outback Model	91063AC020	.2	19.50
w/Limited Model	91063AC000	.2	24.95
w/o Limited Model	91063AC000	.2	24.95
w/o Outback Model			
Side	R/L 84001AC031	.2	19.95
w/Outback Model	91063AC100	.2	19.95

FRONT LAMPS

COMBINATION LAMP TO 4-97

R&R Does Not Include Aim Lamps 4
R&I Combination Lamp Assy R/L #4
#Includes R&I Grille, R&I Both Sides .5



043-00990

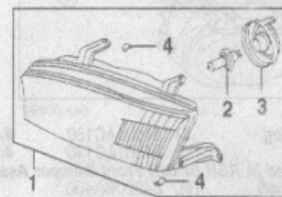
1 Lamp Assy, Combination			
To 5-96	R 84001AC021	#.4	249.95
	L 84001AC031	#.4	249.95
From 6-96 to 4-97	R 84001AC022	#.4	234.15
	L 84001AC031	#.4	249.95

#Includes R&I Grille, R&R Both Sides .6			
2 Bulb, Headlamp	R/L 84920AA090	.1	19.95
3 Bulb, Signal	R/L 84920PA080	.1	7.95
4 Cap, Headlamp	R/L 84953AC000	9.95	
5 Socket, Signal	R/L 84930AC040	8.58	
6 Spring (5/Side)	R/L 84934AC000	1.95	

7 Clip, Lamp	R/L 84965PA010	1.00
8 Clip, Side	R/L 84965AC060	2.22

HEADLAMP FROM 5-97

R&R Does Not include Aim Lamps 4
R&I Headlamp Assy R/L #4
#Includes R&I Grille & Signal Lamp, R&I Both Sides .6

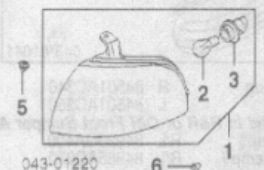


043-01219

1 Headlamp Assy	R 84001AC222	#.4	249.95
	L 84001AC232	#.4	249.95
#Includes R&I Grille & Signal Lamp, R&R Both Sides .6			
2 Bulb, Headlamp	R/L 84920AA230	1	0.00
3 Cap, Headlamp	R/L 84953AC000	9.95	
4 Spring, Headlamp (2/Side)	R/L 84934AC000	1.95	
#Included w/Headlamp Assy			
5 Bolt, Headlamp (4/Side)	R/L 901120069	1.58	

SIGNAL LAMP FROM 5-97

R&I Signal Lamp R/L .1

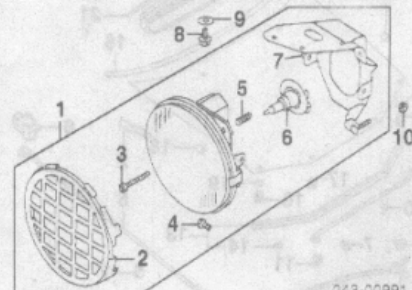


043-01220

1 Lamp Assy, Signal	R 84101AC040	.1	79.95
	L 84101AC050	.1	79.95
2 Bulb, Lamp	R/L 84920PA080	.1	7.95
3 Socket, Lamp	R/L 84930AC040	8.58	
#Included w/Signal Lamp Assy			
4 Screw, Lamp	R/L 045005160	.10	
5 Grommet, Screw	R/L 84965AA060	2.25	
6 Nut, Lamp	R/L 84965PA010	1.00	

FOG LAMP W/OUTBACK MODEL

R&I Fog Lamp Assy R/L #.3
#Included in R&R or O/H Front Bumper Assy



043-00991

1 Lamp Assy, Fog	R 84501AC200	#.3	99.95
	L 84501AC210	#.3	99.95
#Included in R&R or O/H Front Bumper Assy			
2 Cover, Fog Lamp	R/L 84953AC010	15.47	
3 Screw, Adjusting	R/L 84962AC010	3.98	
4 Bolt, Mounting	R/L 84962AC020	3.75	
5 Spring, Fog Lamp	R/L 84934AC040	3.98	
6 Bulb, Fog Lamp	R/L 84920PA010	19.95	
7 Bracket, Fog Lamp	R 84927AC040	29.95	
	L 84927AC070	29.95	
#Included w/Fog Lamp Assy			
8 Screw, Mounting (2)	R/L 047406166	1.16	
9 Washer, Mounting (2)	R/L 031206006	.20	
10 Nut, Bolt	R/L 021806000	.40	

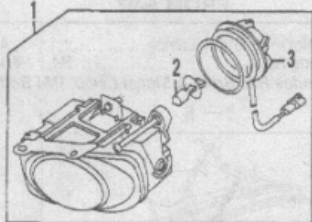
FOG LAMP W/O OUTBACK MODEL

R&I Fog Lamp Assy R/L #.3
#Included in R&R or O/H Front Bumper Assy

SUBARU LEGACY/OUTBACK 1995-99

FRONT LAMPS Cont'd

FOG LAMP W/O OUTBACK MODEL Cont'd

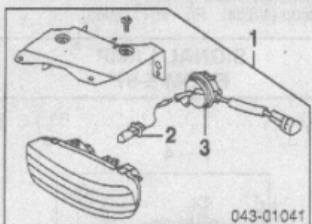


043-00894

1 Lamp Assy, Fog	R 84501AC180	#.3	209.27
	L 84501AC190	#.3	209.27
#Included in R&R or O/H Front Bumper Assy			
2 Bulb, Fog Lamp	R/L 84920GA400		19.95
3 Socket, Fog Lamp	R/L 84931AC140		35.13
¶Included w/Fog Lamp Assy			

FOG LAMP W/GT MODEL

R&L Fog Lamp Assy	R/L	#.3	
#Included in R&R or O/H Front Bumper Assy			



043-01041

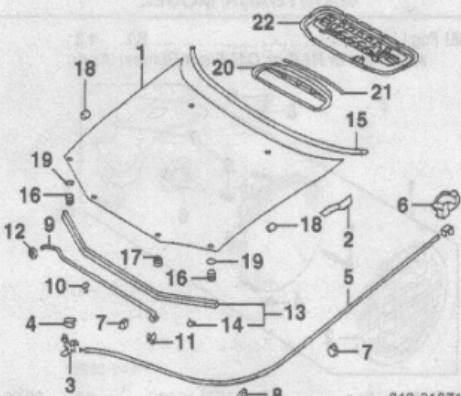
1 Lamp Assy, Fog	R 84501AC340	#.3	150.88
	L 84501AC350	#.3	150.88
#Included in R&R or O/H Front Bumper Assy			
2 Bulb, Fog Lamp	R/L 84920GA400		19.95
3 Socket, Fog Lamp	R/L 84985AC020		20.30
¶Included w/Fog Lamp Assy			

HOOD

Use Procedure Explanations 4 and 28 with the following text.

Refinish Hood Outside	2.6
Add for Underside	1.3
Refinish Hood Grille	.8
Refinish Hinge	R/L .3
R&L Hood Assy	#.4

#Includes Recaulk Hinge Edge



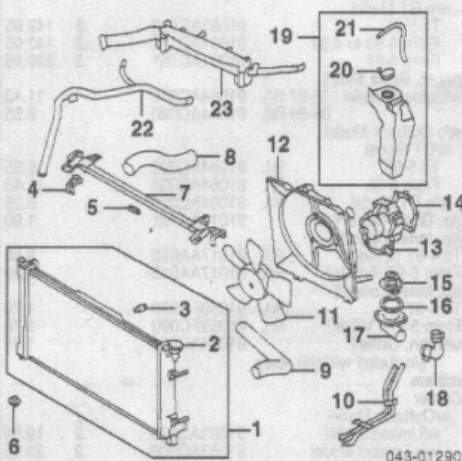
043-01071

1 Panel, Hood			
w/Outback Model			
To 5-96	57220AC080	#1.0	319.98
#Includes Recaulk Hinge Edge			
From 6-96	57220AC090	#1.3	319.98
w/o Outback Model			
w/GT Model	57220AC090	#1.3	319.98
#Includes R&R Hood Grille, Rubber & Duct and Recaulk Hinge Edge			
w/o GT Model	57220AC080	#1.0	319.98
#Includes Recaulk Hinge Edge			
2 Hinge			
To 5-96	R 57260AC000	#.3	16.90
	L 57260AC010	#.3	16.90
From 6-96	R 57260AC040	#.3	21.42
	L 57260AC050	#.3	21.42
#w/Hood Removed, Includes Recaulk Edge			

3 Latch	57310AC010	.3	63.68
4 Striker	57311AA000	.1	24.70
5 Cable, Release			
Dark Gray			
To 8-95	57330AC040MU	.7	25.52
From 9-95 to 4-97	57330AC070MU	.7	21.90
Off Black	57330AC070ML	.7	36.60
Reddish Gray			
To 8-95	57330AC040RA	.7	25.52
From 9-95 to 5-96	57330AC070RA	.7	30.87
6 Bracket, Handle	R 57347AC040	5.50	
	L 57347AC050	5.50	
7 Clip, Cable (5)			
To 8-95	57371GA070	1.75	
From 9-95	57333AC000	.54	
8 Grommet, Cable	57334GA030	2.88	
9 Stay, Hood Support	57251AC000	#.2	20.52
10 Holder, Hood Stay	57255AC010	#.2	2.27
11 Clamp, Hood Stay	57255AA000	#.2	2.80
12 Grommet, Hood Stay	57253AA010	#.2	2.80
#R&R Complete			
13 Seal Assy, Hood Front	57252AC010	.2	46.73
14 Clip, Seal (17)	90826FA000	1.16	
¶Included w/Hood Front Seal Assy			
15 Seal, Hood Rear	57252AC080	.2	19.95
w/Outback Model			
w/o Outback Model			
w/GT Model	57252AC080	.2	19.95
w/o GT Model	57252AC080	.2	19.95
16 Bumper, Hood Front Otr	R/L 57254AA011	2.33	
17 Bumper, Hood Front Inr	R/L 57254AA030	3.87	
18 Bumper, Hood Side	R/L 57254AA020	3.87	
19 Protector, Bumper	R/L 57253AA031	.59	
20 Grille, Hood (P)			
From 6-96 to 4-97	91141AC000NN	#.3	131.00
From 5-97	91141AC100NN	#.3	122.10
(P) Paint to Match			
21 Rubber, Grille	91143AC010	#.3	4.73
22 Duct, Hood	90818AC220	#.3	244.17
#R&R Complete, Included in R&R Hood			

COOLING

Use Procedure Explanations 5 and 28 with the following text.



043-01290

1 Radiator Assy			
Man Trans			
2.2L Eng	45199AC270	#.5	299.95
2.5L Eng	45199AC100	#.5	299.95
Auto Trans			
2.2L Eng	45199AC280	#.7	299.95
To 4-97	45199AC280	#.7	299.95
From 5-97	45199AC280	#.7	299.95
2.5L Eng	45199AC110	#.7	299.95
To 4-97	45199AC280	#.7	299.95
From 5-97	45199AC280	#.7	299.95
¶Order by Application #w/ A/C Add .2			
2 Cap, Radiator	45113GA022		13.50
3 Plug, Drain	745124051		9.22
¶Included w/Radiator Assy			
4 Cushion, Rad Uptr Otr			
2.2L Eng	R/L 45106AC010	2.98	
2.5L Eng	R/L 45106AC040	2.87	
5 Cushion, Rad Uptr Inr	45106AC020	2.98	
6 Cushion, Rad Lwr			
2.2L Eng	R/L 45106AC000	2.98	
2.5L Eng	R/L 45106AC030	2.87	
7 Bracket, Rad Uptr			
2.2L Eng	45116AC100	31.88	
2.5L Eng			
To 4-97	45116AA000	16.35	
From 5-97	45116AC100	31.88	
8 Hose, Rad Upper	45167AA020	#.4	13.33
9 Hose, Rad Lower			
w/Outback Model	45167AC010	#.4	13.33
w/o Outback Model			
2.2L Eng	45167AA030	#.4	13.33
2.5L Eng	45167AA030	#.4	13.33
¶Order by Application #R&R Both .5, w/ A/C Add .2			

10 Pipe, Trans Fluid	45522AC152		51.08
11 Blade & Motor, Fan			
2.2L Eng	45121AC000	#.6	199.95
2.5L Eng			
To 4-97	45121AA052	#.6	249.98
From 5-97	R/L 45121AC000	#.6	199.95
12 Shroud, Fan			
2.2L Eng	45137AC000	#.6	79.95
2.5L Eng			
To 4-97	45137AC030	#.6	79.95
From 5-97	R/L 45137AC000	#.6	79.95
#R&R Complete, w/Radiator Removed Deduct .4			
13 Pump, Water			
To 2-97	21111AA007	m #2.7	69.95
From 3-97	21111AA110	m #2.7	69.95
14 Gasket, Water Pump	21114AA050	m #2.7	2.57
#R&R Complete, w/ A/C Add .4, w/Pwr Strg Add .1			
15 Thermostat	21200AA072	#.6	11.95
16 Gasket, Thermostat	21236AA010	#.6	2.98
17 Housing, Thermostat	11060AA070	#.6	19.70
#R&R Complete			
18 Hose, By-Pass	807615081		9.95
19 Tank Assy, Coolant	45151AC000	.6	57.47
20 Cap, Tank	45153AA001		4.37
21 Hose, Over-Flow	45162AC000		7.40
¶Included w/Coolant Tank Assy			
22 Pipe, By-Pass	14065AA000	.3	42.20
23 Pipe, Coolant	14050AA180	.3	180.65

A/C REFRIGERANT CAPACITIES

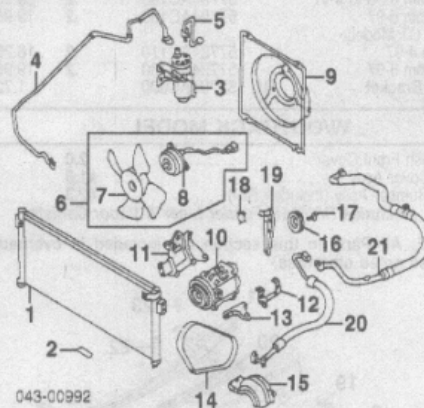
A/C R-134a Refrigerant Capacity
1995-99: 21-25 Ozs (1.31-1.56 Lbs)

AIR CONDITIONING/HEATER

Use Procedure Explanation 6 with the following text.

Evacuate & Recharge System	m 1.4
Refrigerant Recovery	m .3

NOTE: R&I/R&R Does Not include recover, evacuate and recharge system.

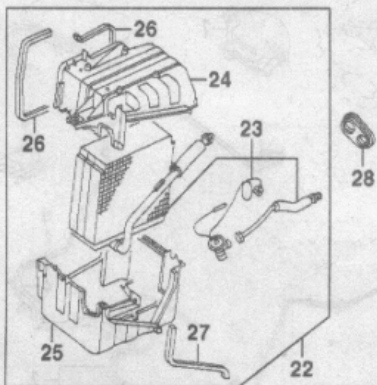


043-00992

1 Condenser			
To 4-97	73210AC021	m .6	319.95
From 5-97	73210AC050	m .6	249.95
2 Label, A/C-See Information Labels Section			
3 Receiver/Drier			
To 5-96	73410AC021	m .5	124.95
From 6-96 to 1-97	73410AC040	m .5	124.95
From 2-97 to 1-98	73410AC061	m .5	119.95
From 2-98	73410AC061	m .5	119.95
4 Pipe, Condenser			
To 4-97	73431AC020	m .5	69.95
From 5-97	73431AC080	m .5	49.95
5 Pipe, Evaporator	73052AA380	m .5	39.95
6 Fan & Motor Assy	73310AC000	#.6	143.85
7 Fan, Cooling			
w/Outback Model			
Man Trans	96 73311AC000	#.6	47.38
	97 73031GA130	#.6	14.55
	98-99 73311AC000	#.6	47.38
	96-97 73031GA130	#.6	14.55
	98-99 73311AC000	#.6	47.38
w/o Outback Model	73311AC000	#.6	47.38
8 Motor, Fan			
w/Outback Model			
Man Trans-Serviced w/Fan & Motor Assy			
Auto Trans	73042AA001	#.6	301.20
w/o Outback Model-Serviced w/Fan & Motor Assy			
¶Included w/Fan & Motor Assy			
9 Shroud, Fan			
w/Outback Model			
Man Trans	73313AC000	#.6	90.97
Auto Trans	73043AA000	#.6	94.08
w/o Outback Model			
w/GT Model	73043AA000	#.6	94.08
w/o GT Model	73313AC000	#.6	90.97
#R&R Complete, w/Radiator Removed Deduct .4			
10 Compressor			
w/Outback Model			
Man Trans	73111AC040	m .9	489.96
Auto Trans	73111AC010	m .9	499.96
w/o Outback Model	73111AC010	m .9	499.96

11 Brkt, Compressor Side	To 8-95 From 9-95	73611AC050 73611AC100		161.50 149.23
12 Brkt, Compressor Upr	To 5-95 From 6-95 to 4-97 From 5-97	73611AC070 73630FA020 73630FA040		26.88 11.32 6.13
13 Brkt, Compressor Lwr	To 8-95 From 9-95	73611AC060 73611AC110		37.63 150.73
14 Belt, Compressor		73013AA000	.5	9.95
15 Cover, Belt	Order by Application	73770AC010	#2	21.40
#Included in R&R Alternator Assy				
16 Pulley, Idler	1995 1996 To 8-95 From 9-95 1997 1998-99	73131AC000 73131AC000 73131AC010 73131AC010 73131AC010 73132AC000	m #.6 m #.6 m #.6 m #.6 m #.6 m #.6	34.40 34.40 25.80 34.40 25.80 8.82
17 Shaft, Pulley	w/o Outback Model	73132AC000	m #.6	8.82
18 Adjuster, Pulley		73134AC001	m #.6	6.54
#R&R Complete				
19 Bracket, Pulley	1995-96 To 8-95 From 9-95 1997 1998-99	73610AC000 73610AC010 73610AC000 73610AC010	m m m m	21.50 21.50 21.50 21.50
20 Hose, Pressure	1995 1996 1997 To 1-97 From 2-97 1998-99	73424AC120 73424AC130 73424AC130 73424AC171 73424AC171	m #.5 m #.5 m #.5 m #.5 m #.5	179.95 179.95 179.95 94.60 94.60
21 Hose, Suction	1995 1996 1997-99	73422AC020 73422AC040 73422AC050	m #.5 m #.5 m #.5	229.95 179.95 119.95

Order by Application
#Each Additional .3

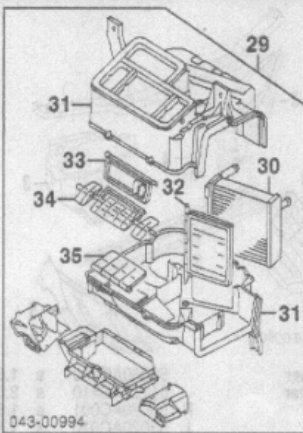


043-00993

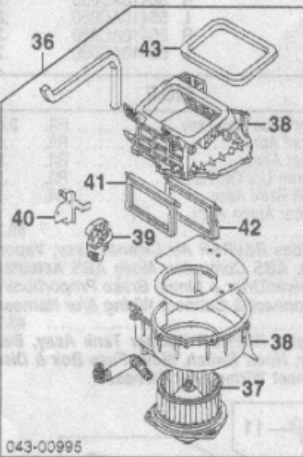
22 Evaporator Assy	1995-96 1997-98 To 4-97 From 5-97 1999	73510AC071 73510AC180 73510AC250 73510AC280	m 1.0 m 1.0 m 1.0 m 1.0	399.95 399.95 349.95 349.95
23 Core, Evaporator	1995-96 1997-98 To 4-97 From 5-97 1999	73523AC040 73523AC130 73523AC180 73523AC210 73525AC070 73525AC060	m #1.3 m #1.3 m #1.3 m #1.3 m #1.3 m #1.3	289.95 329.95 329.95 279.95 38.23 42.95
24 Case, Evap Upr		73543AC040	m	1.92
25 Case, Evap Lwr		73543AC050 73543AC040	m m	2.07 1.92
#R&R Complete				
26 Gasket, Case Inr	R	73543AC040	m	1.92
27 Gasket, Case Outer	L	73543AC050 73543AC040	m m	2.07 1.92
#Included w/Evaporator Assy				
28 Grommet, Case		73530AC010	m	6.98

Illustration Located in Next Column

29 Heater Assy		72110AC091	m #2.4	299.98
#w/ A/C Add .4, Includes R&I Instrument Panel Assy				
30 Core, Heater		72130FA001	m #2.7	249.95
31 Case, Heater	95-96 97-99	72120AC020 72120AC021	m #2.7 m #2.7	114.18 58.40
#R&R Complete, Includes R&I Instrument Panel Assy w/ A/C Add .4				
32 Door, Mix		72127FA030	m	22.20
33 Door, Defrost		72127FA010	m	22.20
34 Door, Vent		72127FA000	m	22.20
35 Door, Floor		72127FA020	m	22.20
#Included w/Heater Assy				



043-00994

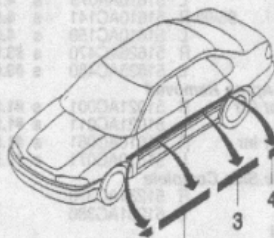


043-00995

36 Blower Assy		72210FA000	m 1.3	279.95
37 Fan & Motor Assy		72240FA000	m .7	199.95
38 Case, Heater		72211FA000	m	27.12
39 Motor, Actuator		72041AA010	m	186.45
40 Bracket, Motor		72052AA091	m	10.73
41 Door, Blower Outer		72213FA010	m	20.13
42 Door, Blower Inner		72213FA000	m	20.13
43 Gasket, Case Upper		72058AA100	m	16.03
#Included w/Blower Assy				

STRIPE TAPE

SEDAN

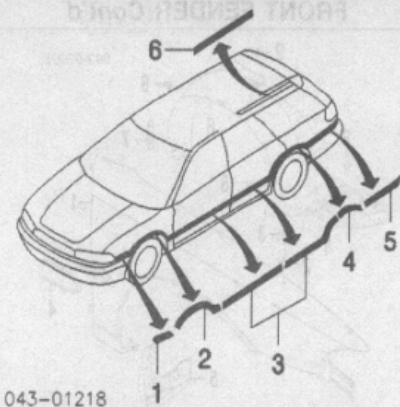


043-01217

1 Fender	To 12-96	R 91042AC270 L 91042AC280	.1 .1	0.00 0.00
	From 1-97	R 91042AC680 L 91042AC690	.1 .1	0.00 0.00
2 Front Door		R 91042AC700 L 91042AC710	.2 .2	0.00 0.00
3 Rear Door		R 91042AC720 L 91042AC730	.2 .2	0.00 0.00
4 Quarter Panel	To 12-96	R 91042AC310 L 91042AC320	.1 .1	d0.00 0.00
	From 1-97	R 91042AC760 L 91042AC770	.1 .1	0.00 0.00
#Contact Dealer for Current Prices				

WAGON

Install Front Door Stripe	R/L	.2
Install Rear Door Stripe	R/L	.2



043-01218

1 Fender	w/Limited Model	97 R 91042AC470 L 91042AC480 98 R 91042AC471 L 91042AC481 99 R 91042AC860 L 91042AC870	.1 .1 .1 .1 .1 .1	0.00 0.00 0.00 0.00 0.00 0.00	
	w/o Limited Model	To 12-96 From 1-97	R 91042AC270 L 91042AC280 R 91042AC271 L 91042AC281	.1 .1 .1 .1	0.00 0.00 d0.00 0.00
2 Fender Rear	w/Limited Model	97-98 R 91042AC390 L 91042AC400 99 R 91042AC780 L 91042AC790	.2 .2 .2 .2	0.00 0.00 0.00 0.00	
	w/o Limited Model	To 12-96 From 1-97	R 91042AC290 L 91042AC300 R 91042AC291 L 91042AC301	.2 .2 .2 .2	d0.00 0.00 0.00 0.00
3 Side	w/Limited Model	97-98 R 91042AC410 L 91042AC420 99 R 91042AC800 L 91042AC810	.00 .00 .00 .00	0.00 0.00 0.00 0.00	
	w/o Limited Model	To 12-96 From 1-97	R 91042AC310 L 91042AC320 R 91042AC311 L 91042AC321	d0.00 0.00 0.00 0.00	
4 Rear Wheel	w/Limited Model	97-98 R 91042AC430 L 91042AC440 99 R 91042AC820 L 91042AC830	.2 .2 .2 .2	0.00 0.00 0.00 0.00	
	w/o Limited Model	To 12-96 From 1-97	R 91042AC330 L 91042AC340 R 91042AC331 L 91042AC341	.2 .2 .2 .2	d0.00 0.00 0.00 0.00
5 Rear Quarter	w/Limited Model	97-98 R 91042AC450 L 91042AC460 99 R 91042AC840 L 91042AC850	.2 .2 .2 .2	0.00 0.00 0.00 0.00	
	w/o Limited Model	To 12-96 From 1-97	R 91042AC350 L 91042AC360 R 91042AC351 L 91042AC361	.2 .2 .2 .2	d0.00 0.00 0.00 0.00
6 Roof	w/Limited Model	R 91042AC510 L 91042AC520	.2 .2	0.00 0.00	
#Contact Dealer for Current Prices					

FRONT FENDER

Use Procedure Explanations 7 and 28 with the following text.

Refinish Fender Outside	R/L	1.9
Add to Edge Fender	R/L	.5
Refinish Side Moulding	R/L	.3
R&I Fender Assy	R/L	#1.0
#Includes R&I Grille & R&I/R&R H/Lamp Assy, R&I Both Sides 1.8		
R&I Side Moulding	R/L	.2
R&I Mud Guard	R/L	.2

Illustration Located in Next Column

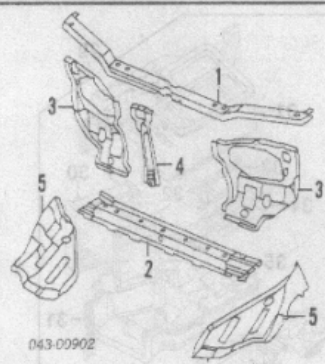
1 Fender	R 57110AC080 L 57110AC090	#1.2 #1.2	189.95 189.95	
#Includes R&I Grille & R&I/R&R H/Lamp Assy, R&R Both Sides 2.2				
2 Brkt, Hood Bumper	R 57150AA000 L 57150AA010		5.75 5.75	
3 Bolt, Fender (8/Side)	R/L 901810003		.64	
4 Midg Assy, Side (Clip Type)	To 11-94	R 91082AC101NN L 91082AC111NN	.2 .2	32.25 31.62

SUBARU LEGACY/OUTBACK 1995-99

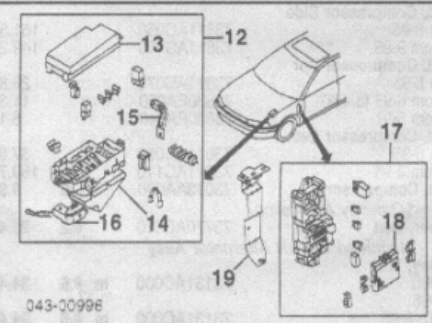
FRONT FENDER Cont'd

043-00901

From 12-94	R 91082AC101NN	.2	32.25
	L 91082AC111NN	.2	31.62
	R/L 91083AC030		7.45
Clip, Mldg[†] [†] Included w/Side Moulding Assy			
5 Guard, Mud			
To 4-97	R 91022AC000	.2	24.95
	L 91022AC010	.2	24.95
From 5-97			
w/Outback Model	R 91022AC080	.2	28.50
	L 91022AC090	.2	28.50
w/o Outback Model	R 91022AC000	.2	24.95
	L 91022AC010	.2	24.95
6 Liner, Fender			
95	R 59110AC080	#.4	74.95
	L 59110AC090	#.4	74.95
96-99	R 59110AC120	#.4	24.95
	L 59110AC130	#.4	24.95
#w/Fender Removed Deduct .2			
7 Protector, Wheel Arch[†]			
1995	R 59121AC020		71.77
	L 59121AC030		71.77
1996-99			
w/GT Model	R 59121AC040		10.30
	L 59121AC050		10.30
w/o GT Model	R 59121AC020		71.77
	L 59121AC030		71.77
[†]Order by Application			
8 Rivet, Screw (4/Side)	R/L 59122AC030		1.30
9 Grommet (4/Side)	R/L 59131AA000		1.70



1 Tie Bar, Upper	53060AC000	s	1.5	69.95
2 Tie Bar, Lower	51231AC410	s	2.0	99.95
3 Panel, Side	R 53020AC001	s	1.5	107.63
	L 53020AC010	s	1.5	99.95
	50812AA010	.3		69.95
4 Support, Hood Latch				
5 Cover, Under				
To 12-94	R 56410AC050	.2	16.35	
	L 56410AC060	.2	16.35	
From 1-95	R 56410AC080	.2	9.42	
	L 56410AC090	.2	9.42	

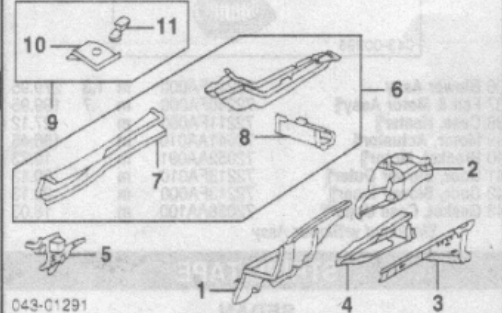


17 Box Assy, Joint[†]				
To 4-97	82202AC080	m		125.82
From 5-97	82202AC140	m		107.97
18 Cover, Joint Box[†] (a)				
To 12-96	82212AC080			5.85
From 1-97	82212AC081			14.10
(a) Included w/Joint Box Assy				
19 Brkt, Joint Box[†]	81042AC020			8.25
[†]Located on Left Fender				

AIR BAG SYSTEM

SIDE

Refinish Apron/Side Rail Assy	R/L	2.0	
Refinish Front Apron	R/L	.5	
Refinish Rear Apron	R/L	.5	
Refinish Apron Uptr Otr Reinf	R/L	.5	
Refinish Rail Reinf Assy	R/L	.5	
R&R Front/Rear Apron Assy			#8.7
Right			#8.7
#Includes R&I/R&R Air Cleaner Assy, Vapor Canister, Horn, ABS Computer, Move ABS Actuator & Lines, Receiver/Drier & Lines, Brake Proportioning Valve & Disconnect & Connect Wiring &/or Harness			
Left			#8.2
#Includes R&I/R&R Washer Tank Assy, Battery, Fuel Filter, Hood Switch, Move Fuse Box & Disconnect & Connect Wiring &/or Harness			



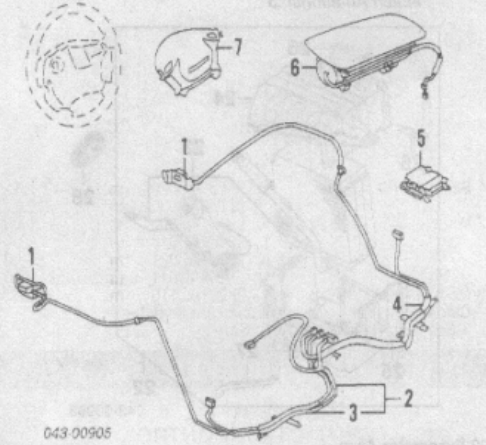
1 Apron, Front	95 R 51610AC044	s	4.5	299.98
	L 51610AA075	s	4.5	299.98
	96-99 R 51610AC141	s	4.5	99.98
	L 51610AC150	s	4.5	99.98
2 Apron, Rear	R 51625AC470	s	#3.0	188.17
	L 51625AC480	s	#3.0	188.17
#w/Front Apron Removed				
3 Reinf, Apron Uptr Otr	R 51021AC001	s	#1.5	49.95
	L 51021AC011	s	#1.5	49.95
4 Reinf, Apron Uptr Inr	R 51610AC061	s	#1.5	69.98
	L 51610AC071	s	#1.5	69.98
#R&R One Side Complete				
5 Bracket, Rail	R 51231AC370			39.95
	L 51231AC380			39.95
6 Reinf Assy, Rail				
To 5-95	R 51231AC182	s	#9.0	169.95
	L 51231AC191	s	#9.0	169.95
From 6-95	R 51231AC460	s	#9.0	249.95
	L 51231AC470	s	#9.0	249.95
#w/Side Panel Removed Deduct .5, w/Front Apron Panel Removed Deduct 3.0				
7 Rail, Front Side-Serviced w/Rail Reinf Assy	R 51233AC021	s		39.95
8 Reinf, Dash[†]	L 51233AC031	s		39.95
[†]Included w/Rail Reinforcement Assy				
9 Bracket Assy	51234AA110			7.45
10 Bracket, Battery[†]	51625AA711			56.20
11 Bracket, Washer Tank[†]	51234AC090			56.30
[†]Included w/Bracket Assy				

12 Box Assy, Fuse[†]	82232AC010	m		144.23
13 Cover, Fuse Box Uptr[†] (a)	82243AC000			8.15
14 Cover, Fuse Box Lwr[†] (a)	82243AA010	m		14.18
15 Brkt, Fuse Box Uptr[†] (a)	82231AA000			3.98
16 Brkt, Fuse Box Lwr[†] (a)	81042AA020			3.98
(a) Included w/Fuse Box Assy				

FRONT

Disable & Enable Air Bag System	m	.3
Diagnose Air Bag System (If Required)	m	1.1
NOTE 1: R&R Does Not include disable and enable or diagnose Air Bag System.		

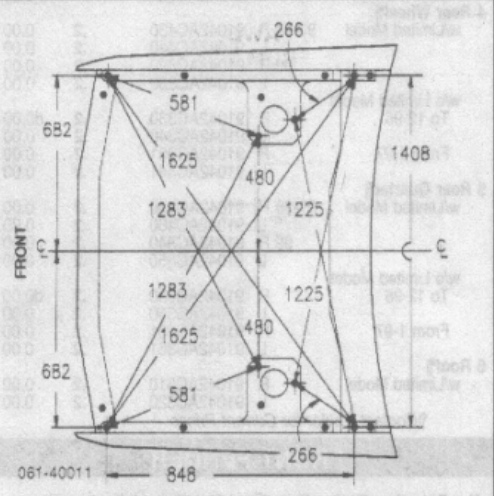
NOTE 2: Refer to Procedure Explanation 30 for Supplemental Restraint/Air Bag Systems Component Inspection and Replacement information.



1 Sensor, Front Impact[†]				
1995	R 98231AC000	m	2.0	349.98
	L 98231AC010	m	1.6	349.98
1996				
w/Outback Model	R 98231AC050	m	2.0	349.98
	L 98231AC060	m	1.6	349.98
1997-Not Applicable				
1998-99	R 98231AC110	m	2.0	79.95
	L 98231AC120	m	1.6	79.95

[†]Order by Application				
2 Harness Assy, Air Bag Wiring				
To 4-97	98241AC010	m		405.53
From 5-97	98241AC080	m		176.88
	98242AA000	m		6.45
3 Protector, Harness Left[†]				
[†]Included w/Air Bag Harness Assy				
4 Protector, Harness Right	98242AA030			24.17
5 Module, Air Bag Control				
w/Outback Model				
1996	82221AC000	m	#.9	699.99
1997	82221AC061	m	#.9	301.77
1998				
w/Side Air Bag	98221AC180	m	#.9	d0.00
w/o Side Air Bag	98221AC170	m	#.9	260.40
1999				
w/Side Air Bag	98221AC230	m	#.9	d0.00
w/o Side Air Bag	98221AC220	m	#.9	319.67
w/Outback Model				
1995	82221AC000	m	#.9	699.99
1996	98221AC022	m	#.9	319.67
1997				
L Model	98221AC022	m	#.9	319.67
GT Model	98221AC080	m	#.9	319.67
SUS Model	98221AC061	m	#.9	301.77
1998				
GT, L, LS Model	98221AC192	m	#.9	299.70
SUS Model	98221AC170	m	#.9	260.40
1999				
GT, L Model	98221AC192	m	#.9	299.70
SUS Model	98221AC220	m	#.9	319.67
#Includes R&I Console Assy				

UNDERHOOD DIMENSIONS



FRONT INNER STRUCTURE

Use Procedure Explanations 8 and 28 with the following text.

FRONT

Refinish Radiator Support Complete	1.5
Refinish Upper Tie Bar	.5
Refinish Lower Tie Bar	.5
Refinish Side Panel	R/L .5
R&R Radiator Support Complete	#6.1
#Includes R&I Grille, R&I/R&R H/Lamp Assemblies, R&R Radiator, Fan Motor, Blade & Shroud as an Assy, Coolant Tank, Battery, Hood Latch, Hood Support Stay, Air Cleaner Air Duct & Disconnect & Connect Hood Release Cable, Wiring &/or Harness	
Add to R&R Radiator Support Assy	
w/ A/C	m #2
#Includes R&I/R&R A/C Condenser	
w/Auto Trans	.2
To Aim Lamps	.4
Evacuate & Recharge System	m 1.4
Refrigerant Recovery	m .3

Illustration Located in Next Column

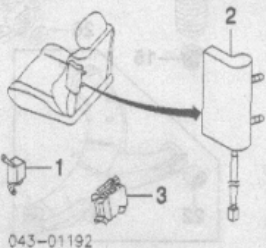
Module, Air Bag			
6 Passenger w/Outback Model			
Dark Gray			
To 5-96	98211AC700MUM #2.4	699.99	
From 6-96 to 4-97	98211AC800MUM #2.4	603.10	
Off Black	98211AC951ML m #2.4	603.10	
Reddish Gray	98211AC700RA m #2.4	699.99	
w/o Outback Model			
Dark Gray			
To 5-95	98211AC550MUM #2.4	629.99	
From 6-95 to 5-96	98211AC700MUM #2.4	699.99	
From 6-96 to 4-97	98211AC800MUM #2.4	603.10	
Off Black	98211AC951ML m #2.4	603.10	
Reddish Gray			
To 5-95	98211AC550RA m #2.4	629.99	
From 6-95	98211AC700RA m #2.4	699.99	
#Includes R&I Instrument Panel			
7 Driver			
To 5-95	98211AC390ML m .3	603.10	
From 6-95 to 4-97	98211AC640ML m .3	355.98	
From 5-97 to 5-98	98211AC880ML m .3	330.58	
From 6-98	98211AC881ML m .3	355.98	
Clockspring[†]-Serviced w/Combination Switch Assy			
-See Steering Wheel/Column Section			

SIDE

Disable & Enable Air Bag System	m .3
Diagnose Air Bag System (if Required)	m 1.1

NOTE 1: R&R Does Not include disable and enable or diagnose Air Bag System.

NOTE 2: Refer to Procedure Explanation 30 for Supplemental Restraint/Air Bag System Component Inspection and Replacement Information.



043-01192

1 Sensor, Side Air Bag	R 98235AC020	m	212.12
	L 98235AC030	m	212.12
2 Module, Side Air Bag	98 R 98201AC000	m	00.00
	L 98201AC010	m	0.00
	99 R 98201AC001	m	00.00
	L 98201AC011	m	0.00
3 Module, Side Air Bag Cont	98221AC110	m	00.00

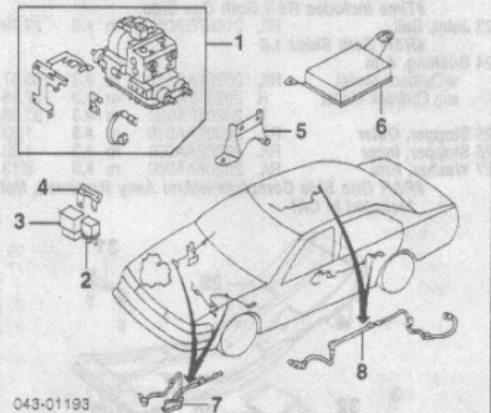
Clockspring-Serviced w/Combination Switch
-See Steering Wheel/Column Section

ABS/BRAKES

FWD W/TRACTION CONTROL

Bleed System	m .6
--------------	------

NOTE: R&R Does Not include bleed system.

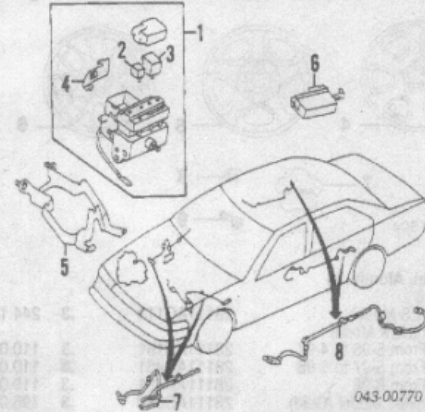


1 Actuator, ABS	27570AC001	m	1.0	995.95
2 Relay, Valve	27534AC000	m	#.3	74.45
3 Relay, Motor	27534AC010	m	#.3	95.67
#R&R Complete				
4 Brkt, Relay	27535AC040			6.75
5 Brkt, Actuator Lower	27535AC000			11.70
6 Computer, ABS	27560AC002	m	.5	759.95
7 Sensor, ABS Front	R 26740AA001	m	.6	149.98
	L 26740AA011	m	.6	149.98
8 Sensor, ABS Rear	R 26740AA021	m	.6	149.98
	L 26740AA031	m	.6	149.98

FWD W/O TRACTION CONTROL

Bleed System	m .6
--------------	------

NOTE: R&R Does Not include bleed system.

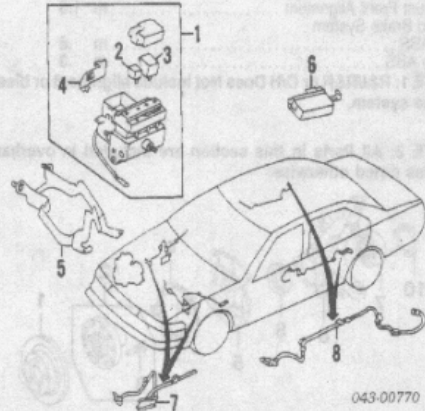


1 Actuator Assy, ABS				
To 10-95	26731AA200	m	1.0	999.95
From 11-95	27531AC000	m	1.0	759.95
2 Relay, Valve [†]	26735AA001	m	#.3	48.38
3 Relay, Motor [†]	26735AA012	m	#.3	49.95
#R&R Complete				
4 Brkt, Connector [†]	26732AA120			53.25
†Included w/ABS Actuator Assy to 10-95				
5 Brkt, Actuator Lower	26735AA201			36.10
6 Computer, ABS				
Man Trans	27520FA030	m	.5	759.95
Auto Trans	26720AA210	m	.5	759.95
7 Sensor, ABS Front	R 26740AA001	m	.6	149.98
	L 26740AA011	m	.6	149.98
8 Sensor, ABS Rear	R 26740AA021	m	.6	149.98
	L 26740AA031	m	.6	149.98

AWD To 11-95

Bleed System	m .6
--------------	------

#R&R Does Not include Bleed System



1 Actuator Assy, ABS	26731AA200	m	1.0	999.95
2 Valve, Relay [†]	26735AA001	m	#.3	48.38
3 Relay, Motor [†]	26735AA012	m	#.3	49.95
#R&R Complete				
4 Brkt, Relay [†]	26732AA120			53.25
†Included w/ABS Actuator Assy				
5 Brkt, Actuator Lower	26735AA201			36.10
6 Computer, ABS				
Man Trans	27520FA030	m	.5	759.95
Auto Trans	26720AA210	m	.5	759.95
7 Sensor, ABS Front	w/Outback Model	R 27540AC020	m	.6 99.98
		L 27540AC030	m	.6 99.98
	w/o Outback Model	R 26740AA001	m	.6 149.98
		L 26740AA011	m	.6 149.98
8 Sensor, ABS Rear	w/Outback Model	R 27540AC040	m	.6 129.73
		L 27540AC050	m	.6 137.90
	w/o Outback Model	R 26740AA021	m	.6 149.98
		L 26740AA031	m	.6 149.98

AWD FROM 12-95 TO 12-96

Bleed System	m .6
--------------	------

NOTE: R&R Does Not include bleed system.

1 Actuator Assy, ABS	27531AC000	m	1.0	759.95
2 Bolt, Stud [†] (2)	27537AC010			3.60
3 Damper, Actuator [†] (3)	27532AC020	m		13.35
†Included w/ABS Actuator Assy				
4 Box Assy, Relay	27534AC040			308.18
5 Relay, Valve [†]	26735AA001	m	#.3	48.38
6 Relay, Motor [†]	27538TA001	m	#.3	51.48
#R&R Complete				
7 Cover, Relay Box [†]	27534AC050			40.80
†Included w/Relay Box Assy				
8 Brkt, Relay Box	27535AC060			7.78
9 Brkt, Actuator Lower	27535AC050			39.88
10 Sensor, ABS "G"	27540AC061	m	.6	275.48
11 Computer, ABS [†]	27521AC031	m	.5	759.95
†Order by Application				
12 Sensor, ABS Front	w/Outback Model	R 27540AC020	m	.6 99.98
		L 27540AC030	m	.6 99.98
	w/o Outback Model	R 26740AA001	m	.6 149.98
		L 26740AA011	m	.6 149.98
13 Sensor, ABS Rear	w/Outback Model	R 27540AC040	m	.6 129.73
		L 27540AC050	m	.6 137.90
	w/o Outback Model	R 26740AA021	m	.6 149.98
		L 26740AA031	m	.6 149.98

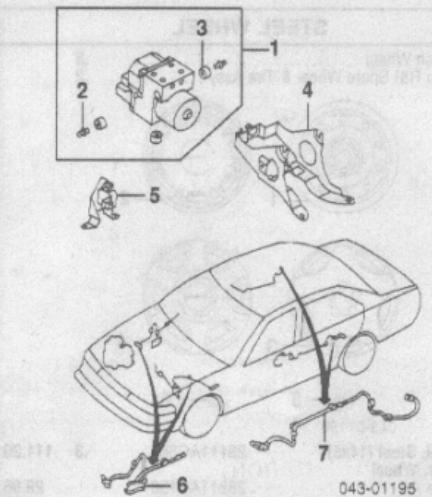
043-01194

1 Actuator Assy, ABS	27531AC000	m	1.0	759.95
2 Bolt, Stud [†] (2)	27537AC010			3.60
3 Damper, Actuator [†] (3)	27532AC020	m		13.35
†Included w/ABS Actuator Assy				
4 Box Assy, Relay	27534AC040			308.18
5 Relay, Valve [†]	26735AA001	m	#.3	48.38
6 Relay, Motor [†]	27538TA001	m	#.3	51.48
#R&R Complete				
7 Cover, Relay Box [†]	27534AC050			40.80
†Included w/Relay Box Assy				
8 Brkt, Relay Box	27535AC060			7.78
9 Brkt, Actuator Lower	27535AC050			39.88
10 Sensor, ABS "G"	27540AC061	m	.6	275.48
11 Computer, ABS [†]	27521AC031	m	.5	759.95
†Order by Application				
12 Sensor, ABS Front	w/Outback Model	R 27540AC020	m	.6 99.98
		L 27540AC030	m	.6 99.98
	w/o Outback Model	R 26740AA001	m	.6 149.98
		L 26740AA011	m	.6 149.98
13 Sensor, ABS Rear	w/Outback Model	R 27540AC040	m	.6 129.73
		L 27540AC050	m	.6 137.90
	w/o Outback Model	R 26740AA021	m	.6 149.98
		L 26740AA031	m	.6 149.98

AWD FROM 1-97

Bleed System	m .6
--------------	------

NOTE: R&R Does Not include bleed system.



1 Actuator Assy, ABS				
Man Trans	27539AC04A	m	1.0	729.95
From 1-97 to 5-98	27539AC06A	m	1.0	599.96
From 6-98				
Auto Trans	27539AC03A	m	1.0	729.95
From 1-97 to 5-98	27539AC05A	m	1.0	599.96
From 6-98	27537AC010			3.60
2 Bolt, Stud [†]				
From 4-97	27532AC020	m		13.35
From 5-97	27532AC030	m		3.92
†Included w/ABS Actuator Assy				
4 Brkt, Actuator	From 1-97 to 12-97	27535AC100		36.05
	From 1-98	27535AC130		29.55

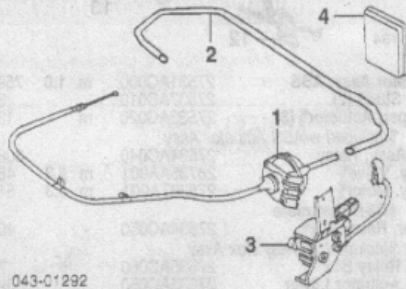
SUBARU LEGACY/OUTBACK 1995-99

ABS/BRAKES Cont'd

AWD FROM 1-97 Cont'd

5 Sensor, ABS "G"	27540AC061	m .6	275.48
6 Sensor, ABS Front w/Outback Model			
From 1-97 to 5-98	R 27540AC020	m .6	99.98
	L 27540AC030	m .6	99.98
From 6-98	R 27540AC021	m .6	149.98
	L 27540AC031	m .6	149.98
w/o Outback Model			
From 1-97 to 5-98	R 26740AA001	m .6	149.98
	L 26740AA011	m .6	149.98
From 6-98	R 26740AA002	m .6	149.98
	L 26740AA012	m .6	149.98
7 Sensor, ABS Rear w/Outback Model	R 27540AC040	m .6	129.73
	L 27540AC050	m .6	137.90
w/o Outback Model	R 26740AA021	m .6	149.98
	L 26740AA031	m .6	149.98

CRUISE CONTROL SYSTEM



043-C1292

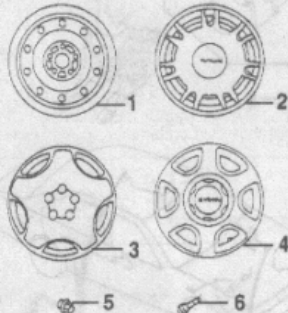
1 Actuator, Cruise 1995-98 1999	87011AC012	m .5	48.67
w/L Model	87011AC050	m .5	56.87
w/o L Model	87011AC012	m .5	48.67
2 Hose, Actuator			
95-98	87016AC000	m	12.80
99	87016AC010	m	9.10
3 Pump, Cruise			
95-98	87052AC011	m .4	128.62
99	87052AC030	m .4	114.92
4 Computer, Cruise			
To 9-95	87022AC010	m .5	199.95
From 10-95 to 5-97	87022AC050	m .5	179.95
From 6-97 to 5-98	87022AC051	m .5	179.95
From 6-98			
w/L Model	87022AC070	m .5	129.95
w/o L Model	87022AC051	m .5	179.95

WHEEL

Use Procedure Explanation 10 with the following text.

STEEL WHEEL

Refinish Wheel	.5
Add to R&I Spare Wheel & Tire Assy	.2



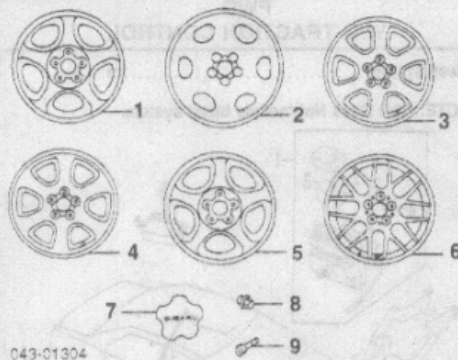
043-01196

1 Wheel, Steel (14x5)	28111AC380	.3	111.20
2 Cover, Wheel			
Type A	28811AC130		29.95
Type B	28811AC100		39.95
Type C	28811AC150		63.25
5 Nut, Lug (16)	623006003		1.95
6 Stem, Valve	23142GA040		2.43

ALUMINUM WHEEL

Add to R&I Spare Wheel & Tire Assy	.2
------------------------------------	----

Illustration Located in Next Column



Wheel, Aluminum

1 15x6			
L, LS Model	28111AC113	.3	244.10
Outback Model			
From 5-96 to 4-97	28111AC161	.3	110.00
From 5-97 to 5-98	28111AC431	.3	110.00
From 6-98	28111AC431	.3	110.00
5 Limited Model (Gold)	28111AC580	.3	195.03
6 16x6.5			
GT Model			
w/Limited	28111AC520	.3	223.00
w/o Limited	28111AC350	.3	211.95
7 Cap, Wheel Center 1995			
L, Outback Model	28811AA071		29.95
LS Model	28811AC020		5.31
1996-99			
L Model	28811AC140		5.75
LS, LSI, GT Model	28811AC020		5.31
Outback Model	28811AC140		5.75
8 Nut, Lug	623006021		1.95
9 Stem, Valve	23142GA040		2.43

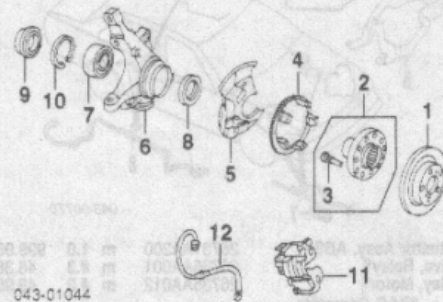
FRONT SUSPENSION

Use Procedure Explanation 11 with the following text.

R&I Suspension (One Side)	R/Lm	1.5
O/H Suspension (Includes R&I)		
One Side	R/Lm	4.3
Both Sides		7.9
Adjust Four Wheel Alignment		1.6
Adjust Front Alignment		1.3
Bleed Brake System		
w/ABS	m	.6
w/o ABS	m	.3

NOTE 1: R&I/R&R or O/H Does Not include alignment or bleed brake system.

NOTE 2: All Parts in this section are included in overhaul unless noted otherwise.



043-01044

1 Rotor, Brake			
14" Brake Rotor	R/L 26310AC060	m .6	69.95
15" Brake Rotor	R/L 26310AA092	m .6	69.95
#R&R Both 1.0			
2 Hub Assy			
w/ABS	R/L 28052AA010	m #3.1	109.88
w/o ABS	R/L 28362AE000	m #3.1	102.48
3 Bolt, Hub† (8/Side)	R/L 28055AA002		2.95
†Included w/Hub Assy			
4 Rotor, ABS Sensor			
To 5-96	R/L 26750AA003	m #3.1	103.40
From 6-96			
Sedan	R/L 27550AC000	m #3.1	74.95
Wagon	R/L 27550AA003	m #3.1	103.40
Sensor, ABS-See ABS/Brakes Section			
5 Shield, Splash			
14" Brake Rotor			
To 4-95	R 26290AC080	m #3.1	19.98
L 26290AC090		m #3.1	19.98
From 5-95	R 26290AC080	m #3.1	19.98
L 26290AC090		m #3.1	19.98
15" Brake Rotor			
R 26290AC080		m #3.1	19.98
L 26290AC090		m #3.1	19.98
6 Knuckle			
R 28012AA004		m #3.1	119.45
L 28012AA014		m #3.1	163.28

7 Bearing	R/L 28016AA011NT	m #3.1	74.50
8 Seal, Outer	R/L 28015AA070	m #3.1	8.83
9 Seal, Inner	R/L 28015AA021	m #3.1	9.95
10 Ring, Snap	R/L 28035AA010	m #3.1	6.95

#R&R One Side Complete, Both Sides 6.0

11 Caliper, Brake			
14" Brake Rotor 1995-96†	R 26291AA000R1	m #5	R116.65
	L 26291AA010R1	m #5	R116.65
1997-99	R 26291AC001	m #5	205.50
	L 26291AC011	m #5	205.50

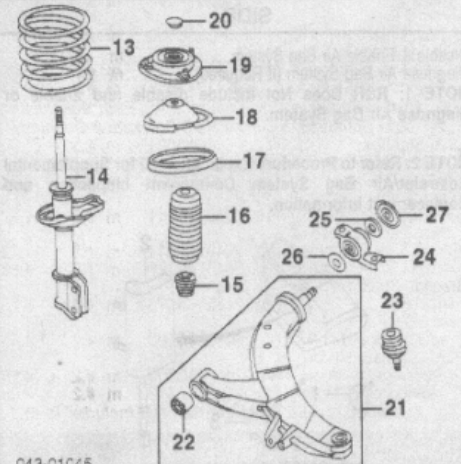
15" Brake Rotor			
1995-96	R 26291AA041	m #5	205.50
	L 26291AA051	m #5	205.50
1997-99	R 26291AC021	m #5	199.95
	L 26291AC031	m #5	199.95

†Remanufactured Part. Contact Dealer for Core Charge & Exchange Information

#R&R Both Sides .8, w/Rotor Removed Deduct .3

12 Hose, Brake			
w/Outback Model	R 26550AC060	m #3	41.18
	L 26550AC070	m #3	41.18
w/o Outback Model	R X2651AA010	m #3	54.22
	L X2651AA020	m #3	54.22

#w/Caliper Removed Deduct .2



043-01C45

13 Spring, Coil†	R/L 20330AC020	m #2.0	58.83
------------------	----------------	--------	-------

†Order by Application

14 Strut			
w/Outback Model	R 20311AC200	m #2.0	104.95
	L 20311AC210	m #2.0	104.95
w/o Outback Model	R 20311AC020	m #2.0	104.95
	L 20311AC030	m #2.0	104.95

15 Bumper	R/L 20321AA201	m #2.0	32.00
16 Cover, Dust	R/L 20322AA000	m #2.0	19.83
17 Seat, Lower	R/L 20325AA001	m #2.0	19.95
18 Seat, Upper	R/L 20323AA100	m #2.0	28.45
19 Mount, Strut	R/L 20320AA100	m #2.0	54.95

#R&R One Side Complete, w/Knuckle Removed Deduct 1.5

20 Seal, Dust	R/L 20326AA120	m	6.07
21 Arm Assy, Suspension	R 20200AC200F	m #1.0	172.55
	L 20200AC210F	m #1.0	172.55

#w/Knuckle Removed Deduct .6, R&R Both Sides 1.8

22 Bushing, Inner† (2/Side)	R/L 20201AA000	m #1.2	39.07
-----------------------------	----------------	--------	-------

†Included w/Suspension Arm Assy

#Time Includes R&R Both One Side

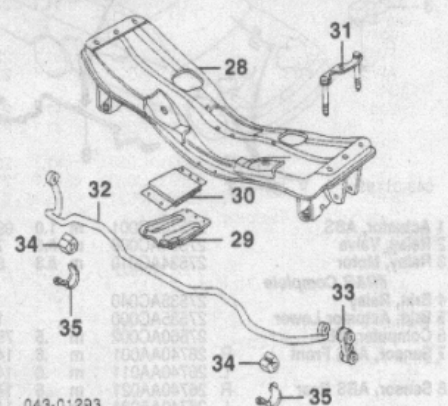
23 Joint, Ball	R/L 21067GA050	m #9	29.98
----------------	----------------	------	-------

#R&R Both Sides 1.6

24 Bushing, Arm			
w/Outback Model	R/L 20201AC110	m #3	106.67
w/o Outback Model	R 20201FA050	m #3	97.88
	L 20201FA060	m #3	97.88

25 Stopper, Outer	R/L 20202AA010	m #3	1.93
26 Stopper, Inner	R/L 20202AA000	m #3	1.93
27 Washer, Arm	R/L 20206AA000	m #3	8.13

#R&R One Side Complete w/Arm Assy Removed, Not Included in O/H



043-01293

SUBARU LEGACY/OUTBACK 1995-99

28 Crossmember, Susp				
To 5-95	20100AC210	m #5.8	249.95	
From 6-95				
w/Outback Model	20100AC221	m #5.8	249.95	
w/o Outback Model				
w/LSI or GT Model	20100AC221	m #5.8	249.95	
w/o LSI or GT Model	20100AC210	m #5.8	249.95	
#Includes R&R Lower Control Arms, Stabilizer Bar, Front Exhaust Pipe, Steering Gear Assy & Engine Mounts, Not Included in O/H				

29 Plate, Jack				
1995-96	20510AA000	m #3	13.33	
1997-99				
Man Trans				
w/GT Model	20510AC000	m #3	15.05	
w/o GT Model	20510AA000	m #3	13.33	
Auto Trans	20510AA000	m #3	13.33	

30 Damper, Dynamic				
w/GT Model				
Man Trans	98-99 20510AC100	m #3	56.07	
31 U-Bolt				
w/Outback Model	R/L 20540AC000	m #3	13.95	
w/o Outback Model	R/L 20540AA030	m #3	13.95	
#R&R Complete				

32 Bar, Stabilizer				
To 5-95	20410AA050	m #6	149.95	
From 6-95				
w/Outback Model	20410AC020	m #6	149.95	
w/o Outback Model				
w/LSI or GT Model	20410AC020	m #6	149.95	
w/o LSI or GT Model	20410AA050	m #6	149.95	
#Not Included in O/H, Deduct .2 for Each Suspension Arm Removed, Includes R&R Brackets & Bushings				

33 Link, Stabilizer	R/L 20420AA004	m #3	51.70	
----------------------------	----------------	------	-------	--

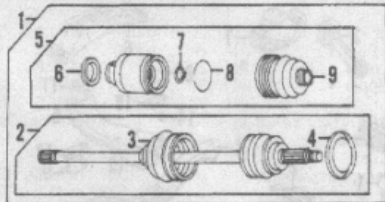
34 Bushing, Stabilizer				
To 5-95	R/L 20401FA021	m #3	4.82	
From 6-95				
w/Outback Model	R/L 20401AC011	m #3	17.12	
w/o Outback Model				
w/LSI or GT Model	R/L 20401AC011	m #3	17.12	
w/o LSI or GT Model	R/L 20401FA021	m #3	4.82	

35 Bracket, Stabilizer				
To 5-95	R/L 21050GA173	m #2	5.05	
From 6-95				
w/Outback Model	R/L 20402AC000	m #2	4.55	
w/o Outback Model				
w/LSI or GT Model	R/L 20402AC000	m #2	4.55	
w/o LSI or GT Model	R/L 21050GA173	m #2	5.05	
#Included in R&R Stabilizer Bar, Not Included in O/H				

FRONT DRIVE AXLE

R&L Axle Shaft Assy (One Side)	R/Lm #7	
O/H Axle Shaft Assy (Includes R&L)	R/Lm #1.1	
#w/Knuckle Removed Deduct .5		

NOTE: All Parts in this section are included in overhaul unless noted otherwise.



043-00776

1 Shaft Assy, Axle				
Man Trans				
FWD	95-96 R/L 28021AC080	m #7	309.95	
	97-98 R/L 28021AC290	m #7	299.95	
	99 R/L 28021AC290	m #7	299.95	
AWD	R/L 28021AC290	m #7	299.95	
Auto Trans				
1995-96	R/L 28021AC290	m #7	299.95	
1997-98	R/L 28021AC171	m #7	309.95	
1999	R/L 28021AC281	m #7	359.95	

2 Joint Assy, Outer				
Man Trans				
FWD	R/L 28091AC000	m #1.1	239.95	
AWD	R/L 28091AA094	m #1.1	239.95	
Auto Trans				
1995				
FWD	R/L 28091AA024	m #1.1	239.95	
AWD	R/L 28091AA094	m #1.1	239.95	
1996-97				
2.2L Eng	R/L 28091AC050	m #1.1	239.95	
2.5L Eng	R/L 28091AC060	m #1.1	239.95	
1998				
2.2L Eng	R/L 28091AC050	m #1.1	239.95	
2.5L Eng	R/L 28091AC070	m #1.1	239.95	
1999	R/L 28091AC091	m #1.1	239.95	
#w/Knuckle Removed Deduct .5				

3 Boot, Outer Joint (a)				
To 4-97				
FWD	R/L 28023AA022	m #1.1	12.65	
AWD	R/L 28023AA002	m #1.1	12.65	
From 5-97	R/L 28023AA002	m #1.1	12.65	
4 Baffle, Outer (a)	R/L 28037AA012	m #1.1	6.95	
(a) Included w/Outer Joint Assy				

5 Joint Assy, Inner				
Man Trans				
FWD	R/L 28092AA060	m #1.1	171.70	
AWD	R/L 28092AA010	m #1.1	171.70	

Auto Trans				
1995				
FWD	R/L 28092AA040	m #1.1	171.70	
AWD	R/L 28092AC020	m #1.1	171.70	
1996-99				
2.2L Eng	R/L 28092AC020	m #1.1	171.70	
2.5L Eng	R/L 28093AC000	m #1.1	171.70	
	R/L 23233GA071	m #1.1	2.80	

6 Baffle, Inner (b)				
7 Ring, Snap (b)				
To 5-95				
Man Trans	R/L 23245GA010	m #1.1	3.95	
Auto Trans	R/L 623205190	m #1.1	7.00	
From 6-95 to 5-96				
Man Trans	R/L 23245GA010	m #1.1	3.95	
Auto Trans				
2.2L Eng	R/L 623205190	m #1.1	7.00	
2.5L Eng	R/L 623205060	m #1.1	3.72	

8 Circlip (b)				
FWD				
Man Trans	R/L 23224GA030	m #1.1	4.43	
Auto Trans	95-96 R/L 623206070	m #1.1	9.47	
	97-99 R/L 28033AC000	m #1.1	3.05	
AWD	R/L 623206120	m #1.1	4.68	

9 Boot, Inner (b)				
FWD				
Man Trans	R/L 28023PA010	m #1.1	12.92	
Auto Trans	R/L 28023PA050	m #1.1	12.65	
AWD	R/L 28023AA011	m #1.1	9.65	

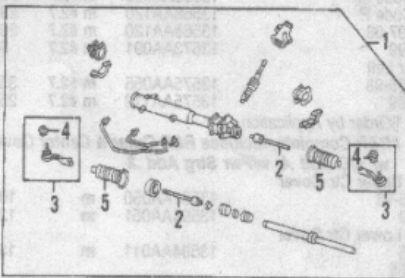
#Included w/Axle Shaft Assy
(b) Included w/Inner Joint Assy
#R&R One Side Complete, w/Knuckle Removed Deduct .5

FRONT STEERING LINKAGE/GEAR

R&L Steering Gear	m 2.4
O/H Steering Gear (Includes R&L)	m 3.6

NOTE 1: R&L/R&R or O/H Does Not include adjust wheel alignment.

NOTE 2: All Parts in this section are included in overhaul unless noted otherwise.

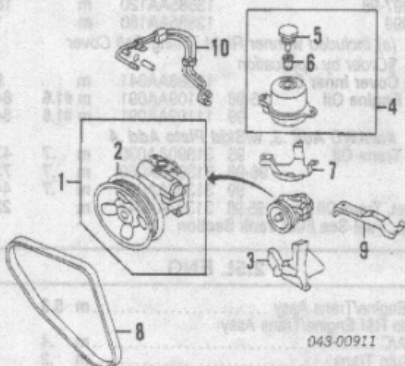


043-00910

1 Gear Assy				
w/Outback Model	34110AC040	m 2.4	404.93	
w/o Outback Model	34110AA121	m 2.4	434.26	
2 Rod, Inner Tie	95-97 R/L 34140AA030	m .6	49.95	
	98-99 R/L 34140AC000	m .6	49.95	
3 End Assy, Tie Rod	95-97 R/L 34141AA042	m #3	49.95	
	98-99 R/L 34141AC010	m #3	49.95	
4 Seal, Dust (a)	95-97 R/L 731335000	m #3	4.25	
5 Boot	(a) Included w/Tie Rod End Assy			
	R/L 31232GA082	m #3	38.13	

#Included w/Gear Assy
#R&R One Side Complete, Included in R&R Inner Tie Rod

STEERING PUMP



043-00911

1 Pump Assy				
2.2L Eng	95-96 34411AA610	m #1.1	171.65	
	97 34411AC080	m #1.1	399.95	
	98-99 34411AC100	m #1.1	169.95	
	96 34411AA432	m #1.1	399.95	
	97 34411AC100	m #1.1	169.95	
2.5L Eng	98-99 34411AC100	m #1.1	169.95	

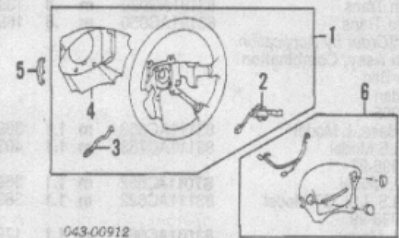
#Includes Bleed System, w/ A/C Add .1

2 Pulley, Pump				
2.2L Eng	34414AA080	m	70.53	
2.5L Eng	34414AA080	m	70.53	
#Included w/Pump Assy				
3 Bracket, Pump	34421FC001	#2	58.88	
#w/Pump Removed				
4 Reservoir Assy, Fluid	95-96 34412AA050	m	94.75	
	97 34412AA052	m	129.95	
	98-99 34412AA052	sn #1	129.95	
	95-97 34438AA030		12.83	
5 Cap, Reservoir	98-99 34438AA031		14.95	
	34417AA020		7.98	
#Included w/Fluid Reservoir Assy				
7 Bracket, Reservoir	34421AA070	m	19.95	
8 Belt, Drive	809218270	.6	10.75	
9 Cover, Belt				
To 10-94	34423AA011	#2	d0.00	
From 11-94 to 5-95	34423AA012	#2	d0.00	
From 6-95	34423AA014	#2	12.95	
#Included in R&R Drive Belt				
10 Hose				
2.2L Eng	34610AA141	m .6	229.95	
2.5L Eng	34610AC160	m .6	99.95	
#Order by Application				

STEERING WHEEL/COLUMN

NOTE: All Parts in this section are included in overhaul unless noted otherwise.

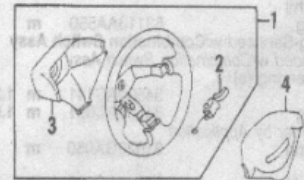
WHEEL & TRIM W/AIR BAG



043-00912

1 Wheel Assy, Steering				
1995				
w/Leather	34311AC280ML	m .5	492.97	
w/o Leather				
w/Cruise Control	34311AC260ML	m .5	315.68	
w/o Cruise Control	34311AC270ML	m .5	262.97	
1996-99				
w/Cruise Control	34311AC350ML	m .5	336.62	
w/o Cruise Control	34311AC340ML	m .5	240.45	
#Order by Application				
2 Switch, Cruise (a)	95 83151AC010	m .5	85.08	
	96-99 83151AC020	m .5	44.96	
	34335AA070	m	13.83	
3 Cord, Adapter (a)				
4 Cover, Lower (a)	34317AC070ML	m #7	12.98	
1995				
1996-99				
w/Cruise Control	34317AC060ML	m #7	14.00	
w/o Cruise Control	34317AC070ML	m #7	12.98	
(a) Included w/Steering Wheel Assy				
#Includes R&R Steering Wheel				
5 Cap, Lower Cover				
Right				
w/Cruise Control	34319AC040ML	m .7	4.42	
w/o Cruise Control	34319AC030ML	m .7	4.42	
Left	34319AC050ML	m .7	4.42	
6 Module, Air Bag-See Air Bag System Section				
Clockspring-Serviced w/Combination Switch Assy				

WHEEL & TRIM W/O AIR BAG



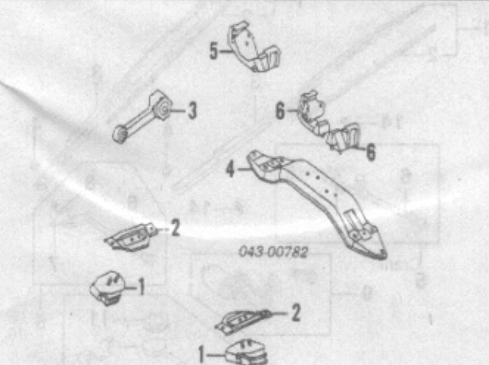
043-00913

1 Wheel Assy, Steering	34311AC200ML	m .5	321.30	
2 Switch, Cruise	83151AC000	m #5	85.08	
3 Cover, Lower	34317AC020ML	m #5	16.95	
#Included w/Steering Wheel Assy				
4 Pad, Horn	34321AC000ML	m #2	144.23	
#Included in R&R Steering Wheel Assy				

COLUMN

R&L Steering Column	m .9
O/H Steering Column (Includes R&L)	m 1.9

AUTO TRANS



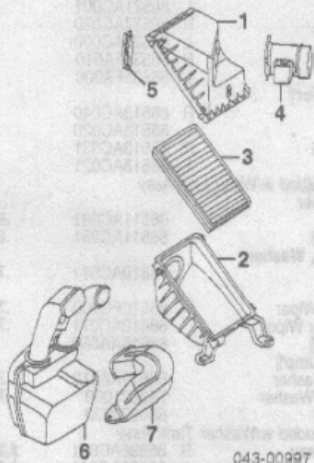
1 Mount, Eng	R/L	41022FA000	#.9	44.67
<i>#R&R Both Sides 1.5</i>				
2 Bracket, Eng Mount	R	41031FA080		13.92
	L	41031FA090		13.92
3 Rod				
w/Outback Model		41040AC000	.4	57.12
w/o Outback Model		41040FA000	.4	57.53
4 Crossmember, Trans				
FWD		41021AC270	.7	64.75
AWD				
w/Outback Model	95-96	41021AC350	.7	75.88
	97	41021AC390	.7	87.95
	98-99	41021AC480	.7	82.08
w/o Outback Model	95-96	41021AC280	.7	64.75
	97-99	41021AC380	.7	78.55
Mount, Trans				
5 FWD		41022AC171	.5	113.50
6 AWD	95-96 R	41022AA231	#.6	64.00
	L	41022AA241	#.6	64.00
	97-98	41022AC150	#.6	113.50
	99	41022AC220	#.6	45.87

#R&R Complete

AIR CLEANER

2.2L ENG 1995-98
2.5L ENG 1996-99

R&I Air Cleaner Assy #.3
#Includes R&I Upper & Lower Air Cleaner Covers & Element

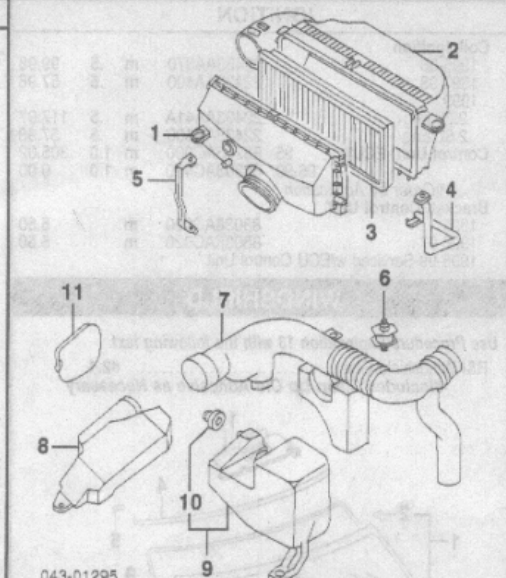


043-00997

1 Cover, Air Cleaner Up	95-96	46053FA020	.2	141.10
	97-99	46053AC090	.2	50.93
2 Cover, Air Cleaner Lwr	95-96	46053FA010	#.3	141.10
	97-99	46053AC080	#.3	129.08
<i>#Includes R&I/R&R Air Cleaner Upper Cover & Element</i>				
3 Element, Cleaner		16546AA020	.3	14.95
4 Meter, Air Flow	95-98	22680AA160	m .8	355.42
	99	22680AA29A	m .8	121.27
5 Retainer, Meter		46033AC000		2.80
6 Chamber, Air Flow	95	46032AC050	#.6	49.98
	96	46032AC050	#.6	49.98
	97-99	46032AC110	#.6	79.93
<i>#Includes R&I/R&R Fender Liner</i>				
7 Duct, Air Intake		46021AC020	.2	12.27

2.2L ENG 1999
W/CALIF EMISSIONS

R&I Air Cleaner Assy #.3
#Includes R&I Upper & Lower Air Cleaner Covers & Element

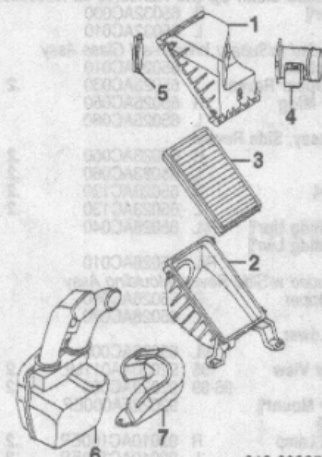


043-01295

1 Cover, Air Cleaner Up	16520AA060	.2	37.73
2 Cover, Air Cleaner Lwr	16520AA070	#.3	103.33
<i>#Includes R&I/R&R Air Cleaner Upper Cover & Element</i>			
3 Element, Cleaner	16546AA07A	.3	14.95
4 Support, Lwr Cover			
Man Trans	16563AA160		23.67
Auto Trans	16563AA150		20.18
5 Support, Up Cover	16563AA121		6.00
6 Insulator, Duct	46022AE010		7.25
7 Duct, Air	46021AC130	.2	61.40
8 Inlet, Air	46021AC120		14.90
9 Chamber Assy, Air Flow	46032AC070	.4	34.40
10 Cushion, Chamber	46060AC030		1.98
<i>!Included w/Air Flow Chamber Assy</i>			
11 Plug, Intake Hole	46059FA000		5.38

2.2L ENG 1999
W/O CALIF EMISSIONS

R&I Air Cleaner Assy #.3
#Includes R&I Upper & Lower Air Cleaner Cover & Element



043-C0997

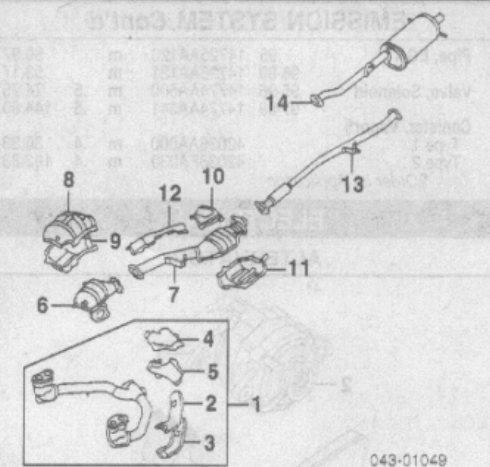
1 Cover, Air Cleaner Up	46053AC090	.2	50.93
2 Cover, Air Cleaner Lwr	46053AC080	#.3	129.08
<i>#Includes R&I/R&R Air Cleaner Upper Cover & Element</i>			
3 Element, Cleaner	16546AA020	.3	14.95
4 Meter, Air Flow	22680AA29A	m .8	121.27
5 Retainer, Meter	46033AC000		2.80
6 Chamber, Air Flow	46032AC110	#.6	79.93
7 Duct, Air Intake	46021AC020	#.6	12.27
<i>#Includes R&I/R&R Fender Liner</i>			

EXHAUST

R&R Exhaust System Complete #1.4
#Does Not Include R&R Exhaust Manifold

Illustration Located in Next Column

1 Pipe Assy, Front Exhaust			
2.2L Eng			
To 5-95	44101AC010	.9	179.30
From 6-95	44101AC070	.9	373.58
2.5L Eng	44101AC010	.9	179.30



043-01049

Cover, Front Pipe				
2 Front Upper	R	44132AC510		24.32
	L	44132AC530		21.52
3 Front Lower	R	44132AC520		26.28
	L	44132AC540		19.17
4 Rear Upper				
To 7-95		44132AC550		d16.70
From 8-95		44132AC551		14.90
5 Rear Lower				
To 7-95		44132AC560		d0.00
From 8-95		44132AC561		13.87
<i>!Included w/Front Exhaust Pipe Assy</i>				
6 Converter, Frt Catalytic				
2.2L Eng				
w/Calif Emissions				
To 5-95		44111AC162	.8	534.19
From 6-95 to 4-97		44111AC233	.8	587.46
From 5-97 to 5-98		44111AC233	.8	587.46
From 6-98		44111AC340	.8	490.69
w/o Calif Emissions	95-98	44111AC162	.8	534.19
	99	44111AC360	.8	513.06
2.5L Eng				
w/Calif Emissions				
96-97		44111AC162	.8	534.19
98		44111AC233	.8	587.46
99		44111AC233	.8	587.46
w/o Calif Emissions	96-98	44111AC162	.8	534.19
99		44111AC162	.8	534.19

7 Converter, Rear Catalytic				
2.2L Eng				
w/Calif Emissions				
To 5-95		44111AC172	.5	391.26
From 6-95 to 4-97		44111AC242	.5	359.87
From 5-97 to 5-98		44111AC242	.5	359.87
From 6-98		44111AC350	.5	598.07
w/o Calif Emissions	96-98	44111AC172	.5	391.26
	99	44111AC370	.5	578.83
2.5L Eng				
w/Calif Emissions				
To 4-97		44111AC172	.5	391.26
From 5-97 to 5-98		44111AC242	.5	359.87
From 6-98		44111AC242	.5	359.87
w/o Calif Emissions	96-98	44111AC172	.5	391.26
	99	44111AC172	.5	391.26
8 Cover, Frt Converter Up		44132AC151		20.42
9 Cover, Frt Converter Lwr		44132AC171		25.25
10 Cover, Rear Converter Up		44132AC720		21.18
11 Cover, Rear Converter Lwr		44131AC871		21.18
12 Cover, Converter Pipe		44131AC820		16.95
13 Pipe, Center				
w/Outback Model				
1996		44205AC020	.7	164.75
1997-99				
Man Trans		44200AC161	.7	189.95
Auto Trans		44205AC020	.7	164.75
w/o Outback Model				
w/GT Model		44205AC010	.7	246.23
1996				
1997-99				
Man Trans		44200AC151	.7	189.95
Auto Trans		44205AC010	.7	246.23
w/o GT Model		44205AC010	.7	246.23

14 Muffler				
Sedan				
2.2L Eng				
FWD		SOA8377100	.5	129.95
AWD		SOA8377000	.5	129.95
2.5L Eng		44305AC421	.5	219.95
Wagon				
w/Outback Model				
w/o Outback Model		44305AC361	.5	219.95
1995				
FWD		SOA8376800	.5	129.95
AWD		44305AC120	.5	219.95
1996-99		44305AC411	.5	219.95
<i>!Order by Application</i>				

EMISSION SYSTEM

Valve, EGR				
2.2L Eng				
95-96		14710AA530	m .5	166.40
97-99		14710AA611	m .5	168.08
2.5L Eng				
		14710AA530	m .5	166.40

SUBARU LEGACY/OUTBACK 1995-99

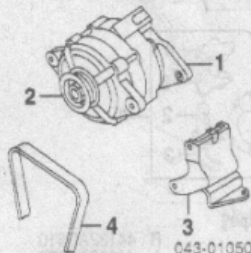
EMISSION SYSTEM *Cont'd*

Pipe, EGR	95-96	14725AA120	m	50.97
	96-99	14725AA121	m	53.17
Valve, Solenoid	95-96	14774AA500	m .5	74.75
	97-99	14774AA341	m .5	144.80
Canister, Vapor				
Type 1		42036AA000	m .4	36.38
Type 2		42036FA030	m .4	182.88

¶Order by Application

ELECTRICAL

ALTERNATOR

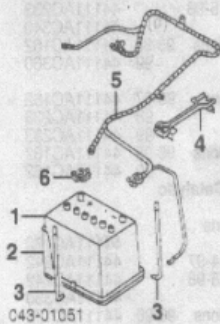


043-01050

1 Alternator Assy				
To 4-97	23700AA34ARA	m .6	128.75	
From 5-97	23700AA34ARA	m .6	128.75	
¶Remanufactured Part. Contact Dealer for Core Charge & Exchange Information				
2 Pulley, Alternator (a)	23752AA060	m	d0.00	
(a) Included w/Alternator Assy				
3 Bracket, Alternator	11711AA051		28.35	
4 Belt, Alternator	809218270	#8	10.75	

#w/ A/C Add .2

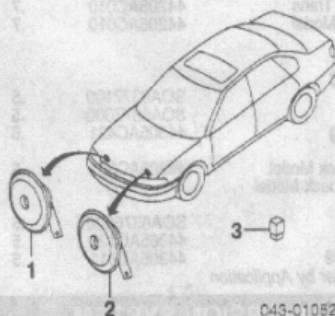
BATTERY



043-01051

1 Battery				
Man Trans	SOA4071120	#2	d0.00	
Auto Trans	SOA4071120	#2	d0.00	
¶Order by Application				
2 Tray, Battery	82122AA030	#2	17.47	
3 Rod, Battery (2)	82161AA040	#2	6.25	
4 Holder, Battery	82182AA040	#2	8.50	
#R&R Complete				
5 Cable, Battery				
Positive/Negative				
w/Outback Model				
Man Trans	81601AC020	.4	79.80	
Auto Trans	81601AC030	.4	79.80	
w/o Outback Model				
Man Trans	81601AA150	.4	79.80	
Auto Trans				
w/Security System	81601AC010	.4	48.85	
w/o Security System	81601AA160	.4	79.80	
6 Terminal, Battery	95-96 81608GA110		12.13	
	96-99 81608GA110		12.13	

HORN



043-01052

1 Horn, High Note	86012AA011	.3	39.95
2 Horn, Low Note	86011AC020	.3	34.95
3 Relay, Horn	95 82501AA030	m .3	8.32
	96-99 82501AC070	m .3	8.65

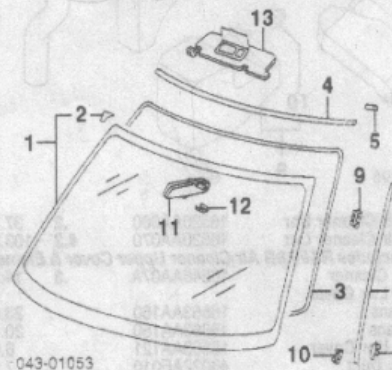
IGNITION

Coil, Ignition				
1995-96	22433AA370	m .5	99.98	
1997-98	22433AA400	m .5	57.98	
1999				
2.2L Eng	22433AA41A	m .5	117.97	
2.5L Eng	22433AA400	m .5	57.98	
Control Unit, ECU	95 88203AC000	m 1.0	305.02	
	96-99 88203AC430	m 1.0	0.00	
¶Order by Application				
Bracket, Control Unit				
1995	88038AC000	m	5.50	
1996-97	88038AC020	m	5.50	
1998-99-Serviced w/ECU Control Unit				

WINDSHIELD

Use Procedure Explanation 13 with the following text.

R&I Windshield Glass..... #2.4
#Includes Clean Up Old Adhesive as Necessary



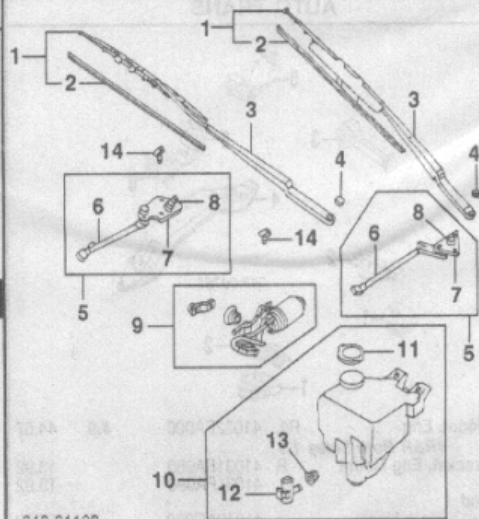
043-01053

1 Glass Assy, Windshield				
Subaru-Green				
Base, L Model				
To 5-96	65009AC570NI	#2.0	299.95	
From 6-96	65009AC570NI	#2.0	299.95	
LS, LSi, GT Model	65009AC590NI	#2.0	299.95	
Outback Model	65009AC570NI	#2.0	299.95	
NAGS				
1995-98				
Green	FW00783GTN	#2.0	370.30	
Green/Green Shade	FW00783GGN	#2.0	386.45	
1999	N.A.	#2.0	0.00	
#Includes Clean Up Old Adhesive as Necessary				
2 Pin, Locator	R 65032AC000		4.07	
	L 65032AC010		4.07	
¶Included w/Subaru Windshield Glass Assy				
3 Dam, Windshield	65021AC010		17.65	
4 Moulding, Upper Reveal	65023AC030	.2	25.55	
5 Clip, Upper Mldg	R 65025AC050		1.90	
	L 65025AC060		1.90	
6 Moulding Assy, Side Reveal				
To 11-94	R 65023AC050	.2	51.02	
	L 65023AC060	.2	59.42	
From 12-94	R 65023AC120	.2	47.80	
	L 65023AC130	.2	47.80	
7 Clip, Side Mldg Upr	R/L 65026AC040		1.10	
8 Clip, Side Mldg Lwr				
4/Side	R/L 65026AC010		1.30	
¶Included w/Side Reveal Moulding Assy				
9 Fastener, Upper	R 65026AC050		6.40	
	L 65026AC060		6.40	
10 Fastener, Lower				
4/Side	R/L 65026AC000		1.58	
11 Mirror, Rear View	95 92030AA011ML	.2	49.95	
	96-99 92020AC000	.2	45.00	
	92022FA000EP		2.23	
12 Cap, Mirror Mount				
w/Mirror & Lamp	R 92010AC160EP	.2	d75.17	
	L 92010AC110EP	.2	d98.24	
	R 92010AC260EP	.2	53.24	
	L 92010AC270EP	.2	53.24	
¶Warm Gray listed, Order by Application				
Garnish, Pillar Front-See Rocker/Pillars/Floor Section				

WIPER SYSTEM

Illustration Located in Next Column

1 Blade Assy, Wiper			
To 11-96	R 86542AC060	.2	14.82
	L 86542AC090	.2	15.50
From 12-96 to 4-97	R 86542AC060	.2	14.82
	L 86542AC090	.2	15.50
From 5-97			
L, GT, Outback Model	R 86542AC060	.2	14.82
	L 86542AC090	.2	15.50
Limited Model	R 86542AC060	.2	14.82
	L 86542AC090	.2	15.50
2 Insert, Wiper			
To 11-96	R 86548AC030	.1	d7.50
	L 86548AC020	.1	d5.00



043-01198

From 12-96 to 4-97	R 86548AC020	.1	d5.00
	L 86548AC020	.1	d5.00
From 5-97			
L, GT, Outback Model	R 86548AC030	.1	d7.50
	L 86548AC020	.1	d5.00
Limited Model	R 86548AC030	.1	d7.50
	L 86548AC020	.1	d5.00
¶Included w/Wiper Blade Assy			
3 Arm, Wiper			
1995-96			
To 8-95	R 86532AC060	#3	30.95
	L 86532AC020	#3	30.95
	R 86532AC140	#3	30.95
	L 86532AC130	#3	30.95
1997	R 86532AC201	#3	30.95
	L 86532AC191	#3	30.95
1998-99	R 86532AC270	#3	24.95
	L 86532AC260	#3	24.95
¶Order by Application			
#Includes R&R Wiper Blade or Insert			
4 Cover, Wiper Arm	R/L 86538FA010		4.48
5 Link Assy, Wiper			
To 8-95	R 86521AC040		46.05
	L 86521AC001		46.05
From 9-95	R 86521AC041		46.05
	L 86521AC001		46.05
	R 86527AC020		11.83
	L 86527AC000		11.83
7 Cap, Pivot	R 86535FA010		.72
	L 86535FA000		.72
8 Sleeve, Pivot			
To 8-95	R 86513AC040		14.90
	L 86513AC020		14.90
From 9-95	R 86513AC031		25.58
	L 86513AC021		25.58
¶Included w/Wiper Link Assy			
9 Motor, Wiper			
To 8-95	86511AC081	.8	118.95
From 9-95	86511AC081	.8	118.95
10 Tank Assy, Washer			
Sedan	86610AC071	.7	81.05
Wagon			
w/Rear Wiper	86610FC000	.7	119.95
w/o Rear Wiper	86610AC071	.7	81.05
11 Cap, Tank	86615AA060		19.38
12 Motor & Pump			
w/Rear Washer	86611AA010	.7	69.95
w/o Rear Washer	786621000	.7	103.18
13 Grommet	686223030		5.43
¶Included w/Washer Tank Assy			
14 Nozzle, Spray	R 86636AC021	#.2	19.95
	L 86636AC031	#.2	19.95

#Included in R&R Hood

COWL & DASH

Use Procedure Explanations 14 and 28 with the following text.
Refinish Cowl Top Panel..... 1.0

Illustration Located in Next Column

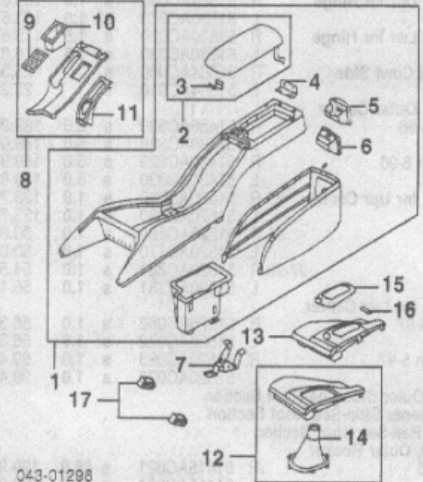
1 Grille Assy, Cowl Top	91151AC020	#.4	115.47
#Includes R&R Wiper Arms			
2 Pin, Clip (3)	91167AA110		.70
¶Included w/Cowl Top Grille Assy			
3 Clip (3)	91167AA000		1.12
4 Panel, Grille Side	R 91152AC050		16.40
	L 91152AC060		16.40
5 Cover, Hood Hinge	R 91153AC100		5.10
	L 91153AC110		5.10
6 Fastener (4)	99045AC000		1.52
7 Plug, Cowl Panel	91153AC000		8.52
8 Beam, Steering	95 50815AC010	#1.5	378.37
	96-99 50815AC171	#1.5	199.95

CENTER CONSOLE

Use Procedure Explanation 14 with the following text.

R&I Console Assy6

NOTE: All Parts in this section are included in R&R Console Assy unless noted otherwise.



043-01298

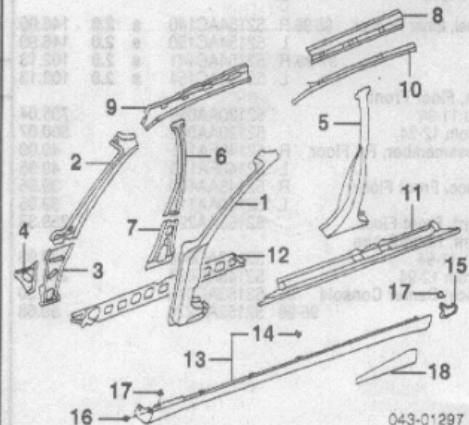
1 Box Assy, Console [†]			
Man Trans	92060AC301MU	.6	273.57
Auto Trans	92060AC311MU	.6	273.57
2 Lid Assy, Console Box [†] (b)			
Man Trans	92063AC050MU	.2	32.20
Auto Trans	92063AC060MU	.2	30.75
3 Lock, Lid (a) (b)	92063AA000		d0.00
(a) Included w/Console Box Lid Assy			
4 Hinge, Console Box Lid (b)	92067AA000	.2	18.58
5 Ashtray [†] (b)	92075AC100MU		24.75
[†] Dark Gray listed, Order by Application			
6 Bracket, Ashtray (b)	92076FA000		11.88
(b) Included w/Console Box Assy			
7 Bracket, Console Rear	92080AC000		5.97
8 Cover Assy, Console Rear			
w/Outback Model			
w/Seat Heater	92070AC320	.3	30.03
w/o Seat Heater	92070AC310	.3	30.22
w/o Outback Model	92070AC310	.3	30.22
Cover, Trim [†]			
9 w/Seat Heater	92070AC910		14.48
10 w/Seat Heater	92062AC030		10.68
11 Strip, Console Box [†]	92082AC000		8.75
[†] Included w/Console Rear Cover Assy			
Bezel Assy, Console Box			
12 Man Trans	92070AC010		56.53
13 Auto Trans	92070AC060		23.93
14 Boot, Shift Lever [†]	92072AC000	.3	60.43
[†] Included w/Console Box Bezel Assy (Man Trans)			
15 Cover, Shift Hole	94110AC600		64.25
16 Label, Shift Lock-See Information Labels Section			
17 Switch, Seat Heater	R 83243AC050		29.95
L 83243AC040			29.95

ROCKER/PILLARS/FLOOR

Use Procedure Explanations 14,15 and 28 with the following text.

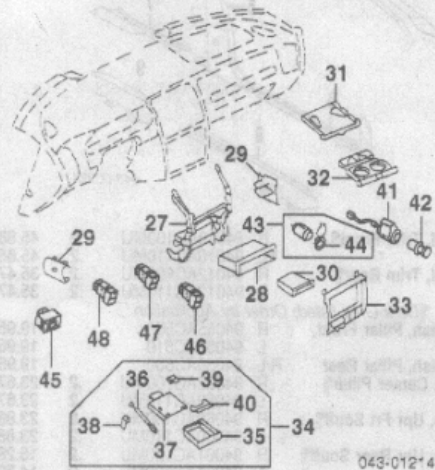
SHEET METAL/EXTERIOR TRIM

Refinish Outer Hinge Pillar	R/L	1.0
Refinish Outer Center Pillar	R/L	1.0
Refinish Outer Rocker Panel	R/L	1.5
R&I Rocker Moulding	R/L	.4



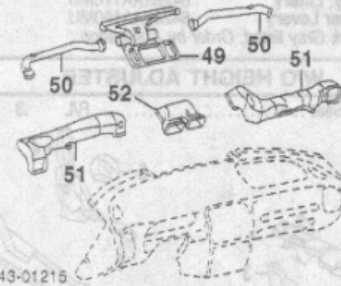
043-01297

19 Box, Glove [†]	66510AC012MU	.3	55.22
20 Lock, Glove Box [†]	66530AC010MU	.2	24.95
21 Cover, Cylinder [†]	66720AC010MU		2.75
[†] Dark Gray listed, Order by Application			
Cylinder w/Key	57420AC100		12.95
22 Striker, Latch	95-96 66140FA000	.1	10.68
97-99 66140FA010		.1	4.32
23 Stopper, Glove Box	R/L 66521FA001		1.70
24 Switch, Glove Box Lamp	83091AC000		39.95
25 Reinf, Glove Box	66131AC650		7.20
26 Frame, Glove Box	66720AC080		19.08



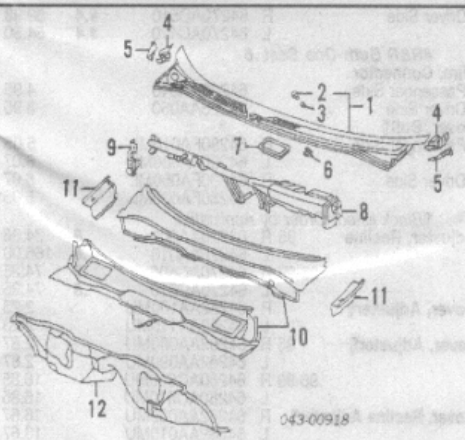
043-01214

27 Reinf, Inst Panel Ctr	66131AC380	.8	51.28
28 Pocket, Center	66511FA070		26.55
29 Bracket, Radio	R 66132AC000		6.75
L 66132AC010			6.75
30 Pocket, Center [†]	66511AC010MU		4.95
[†] Dark Gray listed, Order by Application			
31 Case, Outer	95-98 66240AC010		20.12
99 66240AC030			0.00
32 Base, Cup Holder [†]	95-97 66230AC010MU		74.25
98-99 66230AC020ML			29.83
33 Panel, Center [†]			
1995-97	66221AC000MU		15.95
1998-99			
w/Limited Model	66221AC050		69.95
w/o Limited Model	66221AC000MU		15.95
34 Ashtray Assy [†]	66610AC000MU	.2	2.31
35 Ashtray [†] (a)	66611AC000MU		20.22
[†] Dark Gray listed, Order by Application			
36 Lamp, Ashtray (a)	66198AA000		16.12
37 Lens, Ashtray (a)	66616AC000		1.30
38 Cover, Lamp (a)	66614AC000		1.40
39 Protector, Lighter (a)	66227AC000MU		5.10
40 Protector, Ashtray (a)	66613AC000		5.10
(a) Included w/Ashtray Assy			
41 Socket, Cigar Lighter			
w/Outback Model	86711AC010	.3	24.08
w/o Outback Model	86711AC020	.3	12.00
42 Element, Cigar Lighter	86701TA010	.3	4.75
43 Socket, Power Outlet	86710AC040		26.32
44 Cover, Power Outlet	86712AC010		10.37
45 Switch, Remote Mirror			
w/Mirror Heater	83071FA011	.2	58.80
w/o Mirror Heater	83071FA030	.2	56.43
46 Switch, Cruise Control	83001AC010	.2	35.75
47 Switch, Rear Defroster			
To 10-96	83001AC000	.2	36.10
From 11-96	83001AC110	.2	34.37
48 Switch, Fog Light	83001AC020	.2	37.27
Panel, Radio	86225AA000		29.95
Radio, AM-FM/Cassette			
w/Limited	96-97 86201AC460	.6	503.33
98-99 86201AC430		.6	953.56
w/o Limited [†]	86201AC070	.6	649.97
[†] Order by Application			
Player, Compact Disc	H6240AS100		395.00



043-01215

49 Nozzle, Defroster			
To 5-96	66900AC010		41.45
From 6-96	66900AC010		41.45
50 Duct, Defroster	R 66411AC090		19.08
L 66411AC080			19.08
51 Duct, Vent Outer	R 66411AC070		36.10
L 66411AC060			36.10
52 Duct, Vent Center	66411AC050		29.95



043-00918

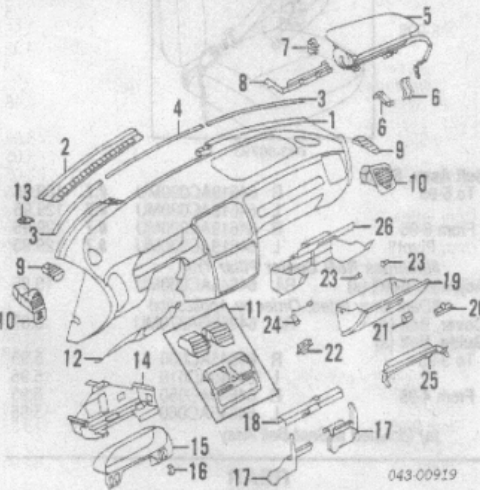
#w/Instrument Panel Removed			
9 Brkt, Strg Support	R 50813AC010		19.95
L 50813AC010			19.95
10 Panel, Cowl Top	95 51121AC031	#6.5	333.32
96-99 51121AC031		#6.5	333.32
#w/Windshield & Necessary Bolted Parts & Assemblies Removed			
11 Ext, Cowl Panel	R 52770AC000		44.97
L 52770AC010			44.97
12 Panel, Dash	95 52200AC081		410.44
96 52200AC030			401.21
97-99 52200AC031			410.44

INSTRUMENT PANEL

Use Procedure Explanation 14 with the following text.

R&I Instrument Panel Assy m 2.3

NOTE: All Parts in this section are included in R&R Instrument Panel unless noted otherwise.



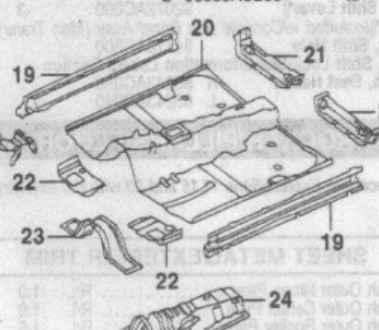
043-00919

1 Panel, Instrument [†]	66312AC020MU	m 5.0	319.95
2 Grille, Defroster [†]	66420AC100MU	.2	34.95
[†] Dark Gray listed, Order by Application			
3 Cushion, Inst Panel Otr	R/L 66141AC020		5.53
4 Cushion, Inst Panel Ctr	66141AC010		5.53
5 Module, Air Bag-See Air Bag System Section			
6 Brkt, Module Front	98211AC310		4.98
7 Brkt, Module Rear	95 R 98211AC210		10.98
L 98211AC220			10.98
96-99 R 98211AC740			9.50
L 98211AC730			8.25
[†] Order by Application			
8 Reinf, Module	66227AC030		19.95
9 Grille, Side Defrost [†]	R 66420AC030MU		7.95
L 66420AC010MU			7.95
10 Grille, Side Vent [†]	95 R 66430AC030MU	.2	29.95
L 66430AC060MU		.2	29.95
96-99 R 66430AC100MU		.2	29.95
L 66430AC090MU		.2	29.95
11 Panel, Center Vent [†]	95 66220AC010MU		59.95
96-99 66220AC030MU			59.95
95 66711AC010MU		.3	42.57
96-99 66711AC030MU		.3	24.95
[†] Dark Gray listed, Order by Application			
13 Grommet, Inst Panel	R/L 66151AC000		8.37
14 Panel, Meter	66120AC000		34.07
15 Visor, Meter	95-96 66800AC010	.3	49.95
97-99 66800AC011		.3	49.95
16 Cover, Switch (3)	66813AC000		2.95
17 Reinf, Inst Panel	95-96 R 66131AC470		16.90
L 66131AC550			7.20
97-99 R 66131AC471			17.58
L 66131AC431			16.90
18 Bracket, Reinf	95-96 66131AC500		7.20
97-99 66131AC501			7.45

ROCKER/PILLARS/FLOOR Cont'd

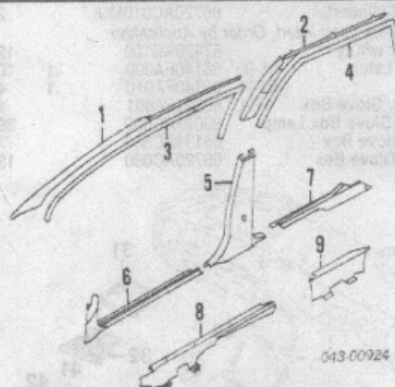
SHEET METAL/EXTERIOR TRIM Cont'd

1 Pillar, Outer Hinge	R 51420AC120	s	8.8	219.95
	L 51420AC130	s	8.8	219.95
Antenna, Radio [¶]	86321AC010	s	7	39.95
<i>¶Order by Application</i>				
2 Pillar, Upr Inr Hinge	R 51530AC060	s	1.0	163.67
	L 51530AC070	s	1.0	163.67
3 Pillar, Lwr Inr Hinge	R 51530AC020	s	1.5	115.87
	L 51530AC030	s	1.5	115.87
4 Panel, Cowl Side	R 51564AC000	s	25.32	
	L 51564AC010	s	25.32	
5 Pillar, Outer Center To 5-95	R 51430AC320	s	5.0	189.98
	L 51430AC330	s	5.0	189.98
From 6-96	R 51430AC320	s	5.0	189.98
	L 51430AC330	s	5.0	189.98
6 Pillar, Inr Upr Center	95 R 51520AC080	s	1.0	123.70
	L 51520AC090	s	1.0	123.70
	96 R 51520AC160	s	1.0	80.03
	L 51520AC170	s	1.0	80.03
	97-99 R 51520AC221	s	1.0	54.57
	L 51520AC231	s	1.0	55.12
7 Pillar, Inr Lwr Center To 4-97	R 51520AC062	s	1.0	56.30
	L 51520AC072	s	1.0	56.30
From 5-97	R 51520AC063	s	1.0	99.49
	L 51520AC073	s	1.0	99.49
8 Rail, Outer Side-See Roof Section				
9 Rail, Inner Side-See Roof Section				
10 Drip, Rail-See Roof Section				
11 Panel, Outer Rocker				
1995	R 51415AC021	s	#8.0	199.95
	L 51415AC031	s	#8.0	199.95
1996				
w/GT Model	R 51415AC240	s	#8.0	199.95
	L 51415AC250	s	#8.0	199.95
w/o GT Model	R 51415AC021	s	#8.0	199.95
	L 51415AC031	s	#8.0	199.95
1997-99				
w/GT Model	R 51415AC241	s	#8.0	199.95
	L 51415AC251	s	#8.0	199.95
w/o GT Model	R 51415AC021	s	#8.0	199.95
	L 51415AC031	s	#8.0	199.95
<i>¶w/Outer Panel Assy Removed Deduct 1.9</i>				
12 Reinf, Rocker Panel	R 51572AC121	s		48.30
	L 51572AC131	s		48.30
13 Moulding Assy, Rocker	R 96051AC040	s	.4	295.35
	L 96051AC050	s	.4	295.35
Seal, Moulding [¶]				
Black	R/L 96059AC040			22.32
Silver	R/L 96059AC050			23.33
14 Clip, Mldg [¶] (7/Side)	R/L 96058AC001			1.72
<i>¶Included w/Rocker Moulding Assy</i>				
15 End Cover, Moulding	R 96049AC000			23.00
	L 96049AC010			23.00
16 Clip, Moulding End	95 R/L 96015AC030			1.04
	96-99 R/L 96015AC030			1.04
17 Grommet (7/Side)	R/L 96056FA010			1.70
18 Guard, Chip				
Sedan	99 R 96059AC220		.2	29.23
w/GT Model	L 96059AC230		.2	29.23



19 Panel, Inner Rocker	95-96 R 52154AC140	s	2.0	146.90
	L 52154AC150	s	2.0	146.90
	97-99 R 52154AC141	s	2.0	102.13
	L 52154AC151	s	2.0	102.13
20 Pan, Floor Front To 11-94	52120AA060			735.04
From 12-94	52120AA062			500.07
21 Crossmember, Frt Floor	R 52140FA101			49.00
	L 52140FA110			49.95
22 Brace, Front Floor	R 52146AA100			39.95
	L 52146AA110			39.95
23 Reinf, Front Floor	52153AA290			259.33
24 Reinf, Hand Brake To 11-94	52143AC010			170.93
From 12-94	52143AC021			299.95
25 Brace, Center Console	95 52153AC010			55.30
	96-99 52153AC270			50.68

INTERIOR TRIM

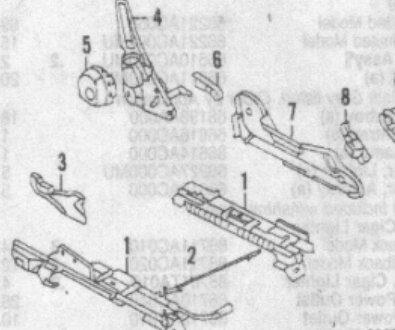


1 Panel, Trim Front [¶]	R 94010AC100MU	.2	45.88
	L 94010AC110MU	.2	45.88
2 Panel, Trim Rear [¶]	R 94012AC100MU	.2	35.47
	L 94012AC110MU	.2	35.47
<i>¶Dark Gray listed, Order by Application</i>			
3 Garnish, Pillar Front	R 94055AC500		19.95
	L 94055AC510		19.95
4 Garnish, Pillar Rear	R/L 94055AC600		19.95
5 Trim, Center Pillar [¶]	R 94022AC100MU	.2	23.67
	L 94022AC110MU	.2	23.67
6 Plate, Upr Frt Scuff [¶]	R 94060AC100MU	.2	23.88
	L 94060AC110MU	.2	23.88
7 Plate, Upr Rear Scuff [¶]	R 94061AC120MU	.2	15.28
	L 94061AC130ML	.2	14.50
<i>¶Dark Gray listed, Order by Application</i>			
8 Plate, Front Scuff	R 94060AC600	.2	72.90
	L 94060AC610	.2	72.90
9 Plate, Rear Scuff	R 94061AC600	.2	7.45
	L 94061AC610	.2	7.45

FRONT SEAT

W/HEIGHT ADJUSTER DRIVER SIDE

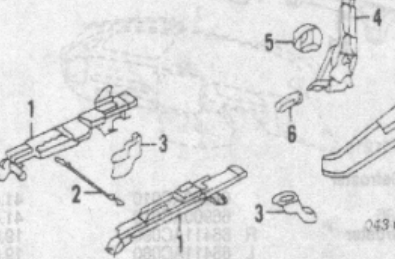
R&L Front Seat.....	.3
---------------------	----



1 Adjuster, Seat Track	R 64270AC430	#4	76.90
	L 64270AC530	#4	89.98
<i>¶R&R Both One Seat .6</i>			
2 Wire, Connector	64226AA050		8.95
3 Cover, Bolt [¶]	R 64280FA070ML		6.55
	L 64280FA060ML		6.07
<i>¶Black listed, Order by Application</i>			
4 Adjuster, Recline	95 64226AA010	.8	166.00
	96-99 64270AC610	.8	74.25
5 Cover, Adjuster [¶]	95 64282AA110MU		2.23
	96-99 64282AA090MU		2.87
6 Lever, Adjuster [¶]	96-99 64280AC610MU		16.85
	96-99 64282AA030MU		17.22
7 Cover, Recline Adjuster [¶]	96-99 64282AA010MU		16.67
	64282AA170MU		59.15
8 Lever Assy, Lifter [¶]	64282AA150MU		4.77
9 Cover, Lifter Lever [¶]			
<i>¶Dark Gray listed, Order by Application</i>			

W/O HEIGHT ADJUSTER

R&L Front Seat.....	R/L	.3
---------------------	-----	----



1 Adjuster, Seat Track	R 64270AC400	#4	54.50
Passenger Side	L 64270AC500	#4	89.98

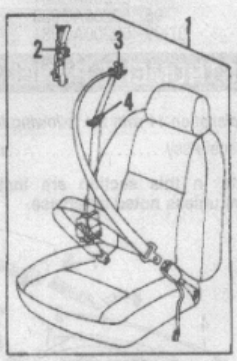
Driver Side	R 64270AC510	#4	89.98
L 64270AC410	#4	54.50	
<i>¶R&R Both One Seat .6</i>			
2 Wire, Connector	64226AA040		4.95
Passenger Side	64226AA050		8.95
3 Cover, Bolt [¶]	R 64280FA010ML		5.05
Passenger Side	L 64280FA060ML		6.07
Driver Side	R 64280FA050ML		6.07
	L 64280FA030ML		5.05
<i>¶Black listed, Order by Application</i>			
4 Adjuster, Recline	95 R 64226AA000	.8	34.36
	L 64226AA010	.8	166.00
	96-99 R 64270AC600	.8	74.25
	L 64270AC610	.8	74.25
5 Cover, Adjuster [¶]	95 64282AA100MU		2.23
	L 64282AA110MU		2.23
6 Lever, Adjuster [¶]	95 R 64282AA080MU		2.87
	L 64282AA090MU		2.87
	96-99 R 64280AC600MU		16.85
	L 64280AC610MU		16.85
7 Cover, Recline Adjuster [¶]	R 64282AA000MU		16.67
	L 64282AA010MU		16.67
<i>¶Dark Gray listed, Order by Application</i>			

REAR SEAT

R&L Rear Seat.....	.5
--------------------	----

SEAT BELTS

FRONT



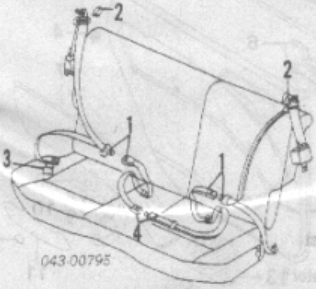
1 Belt Assy, Seat [¶]			
To 5-95	R 64619AC020MU	#7	129.95
	L 64619AC030MU	#7	129.95
From 6-95	R 64619AC220MU	#7	129.95
	L 64619AC230MU	#7	129.95
<i>¶Includes R&R Center Pillar Trim</i>			
2 Adjuster, Belt [¶] (a)	R/L 64645AC030MU		19.95
<i>¶Dark Gray listed, Order by Application</i>			
3 Cover, Belt (a)	R/L 64956GA370MU		3.37
4 Guide, Belt (a)			
To 3-95	R 64645AC000		5.95
	L 64645AC010		5.95
From 4-95	R 64645AC050		5.95
	L 64645AC060		5.95
<i>(a) Included w/Seat Belt Assy</i>			

REAR SEDAN



1 Belt, Seat [¶]	95 R 64669AC040MU	#3	79.95
	L 64669AC050MU	#3	79.95
	96-97 R 64669AC160MU	#3	79.95
	L 64669AC170MU	#3	79.95
	98-99 R 64669AC360MU	#3	149.95
	L 64671AC370MU	#3	0.00
<i>¶w/Rear Seat Assy & Upper Trim Panel Removed</i>			
2 Belt, Center Seat [¶]	95-97 64669AC210MU	#2	29.95
	98-99 64669AC260MU	#2	49.95
<i>¶Dark Gray listed, Order by Application</i>			
<i>¶w/Rear Seat Assy Removed</i>			

REAR WAGON



043-00795

1 Belt, Seat 95 R 64669AC060MU #.3 79.95	
L 64669AC070MU #.3 79.95	
96-97 R 64669AC180MU #.3 99.95	
L 64669AC190MU #.3 99.95	
98-99 R 64669AC380MU #.3 79.95	
L 64669AC390MU #.3 79.95	

Dark Gray listed, Order by Application

#w/Rear Seat Assy & Upper Rear Trim Panel Removed

2 Nut, Anchor (2/Side) R/L 64780KC300 2.05	
3 Cover, Lap Belt R 64780FA620MU 5.47	
L 64780FA630MU 5.47	

4 Belt, Center Seat 95-97 64669AC210MU #.2 29.95	
98-99 64669AC260MU #.2 49.95	

Dark Gray listed, Order by Application

#w/Rear Seat Assy Removed

FRONT DOOR

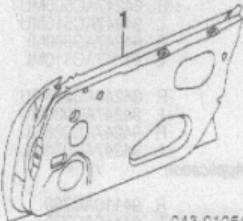
Use Procedure Explanations 16 and 28 with the following text.

SHEET METAL

Refinish Door Outside	R/L	2.0	
Add for Jamb & Interior	R/L	1.0	
Add for Jamb	R/L	.5	
R&I Door Assy	R/L	#.6	

#Includes Recaulk Hinge Edge

Add to R&I Door Assy			
w/Power Window/Speaker	R/L	.4	
Add to R&I Door Shell			
w/Power Window	R/L	.4	



043-C1054

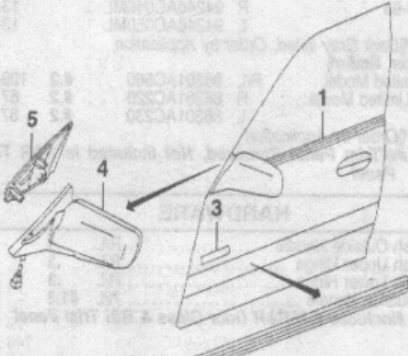
1 Shell, Door R 61100AC060 #3.0 416.58	
L 61100AC070 #3.0 416.58	

#Includes R&R Mirror & Recaulk Hinge Edge Panel, Door Repair-Serviced w/Door Shell

EXTERIOR TRIM

Refinish Side Moulding	R/L	.4	
Refinish Mirror Assy	R/L	.4	
R&I Belt Moulding	R/L	.3	
R&I Side Moulding	R/L	#.5	
R&I Mirror Assy	R/L	#.5	

#Includes R&I Trim Panel



043-01209

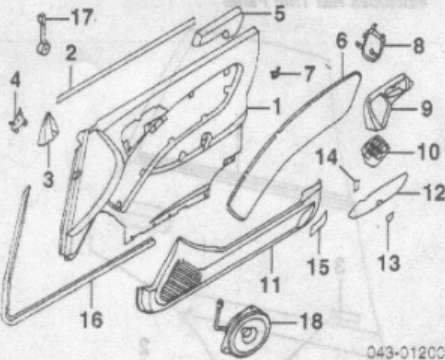
1 Moulding, Belt Sedan R 62301AC100 .3 82.52	
L 62301AC110 .3 82.52	
Wagon	
FWD R 62301AC022 .3 64.95	
L 62301AC032 .3 75.17	
AWD	
w/Outback Model R 62301AC100 .3 82.52	
L 62301AC110 .3 82.52	

w/o Outback Model R 62301AC022 .3 64.95	
L 62301AC032 .3 75.17	
2 Moulding, Side (Clip Type)	
To 11-94 R 91082AC021NN #.2 75.33	
L 91082AC031NN #.2 75.33	
From 12-94 R 91082AC021NN #.2 75.33	
L 91082AC031NN #.2 75.33	
<i>#w/Trim Panel Removed</i>	
3 Decal	
"AWD" 97 R 91042AC490 .2 0.00	
L 91042AC500 .2 0.00	
"LIMITED" 98-99 R/L 93022AC940 .2 26.95	
4 Mirror	
Manual	
Base Model 95 R 91031AC490 #.2 126.48	
L 91031AC501 #.2 119.98	
96-99 R 91031AC020NN #.2 134.95	
L 91031AC470NN #.2 99.95	
L Model R 91031AC490 #.2 126.48	
L 91031AC501 #.2 119.98	
Power	
w/Outback Model	
Heated R 91031AC520NN #.2 134.95	
L 91031AC530NN #.2 134.95	
Non-Heated R 91031AC440NN #.2 134.95	
L 91031AC450NN #.2 134.95	
w/o Outback Model	
L Model 95 R 91031AC020NN #.2 134.95	
L 91031AC031NN #.2 134.95	
96-99 R 91031AC440NN #.2 134.95	
L 91031AC450NN #.2 134.95	
LS, LSi, GT Model 95 R 91031AC020DT #.2 159.95	
L 91031AC031DT #.2 159.95	
96-97 R 91031AC440NN #.2 134.95	
L 91031AC450DT #.2 159.95	
98-99 R 91031AC440IH #.2 0.00	
L 91031AC450IH #.2 0.00	
<i>Blue listed, Order by Application</i>	
<i>#w/Trim Panel Removed</i>	
5 Cover, Gusset Otr Right 91054AC000 46.73	

INTERIOR TRIM

R&I Trim Panel	R/L	.3	
----------------	-----	----	--

NOTE: All Parts in this section are included in R&R Trim Panel unless noted otherwise.



043-01200

1 Panel, Trim 95-97 R 94215AC000MU .5 0.00	
L 94215AC010MU .5 0.00	
98-99 R 94215AC000ML .5 126.82	
L 94215AC010ML .5 126.82	
<i>Order by Application</i>	
2 Weatherstrip, Inner R 62712AC000 31.88	
L 62712AC010 31.88	
3 Cover, Door Corner	
w/LSI Model R 94251AC000ML 17.70	
L 94251AC010ML 17.70	
w/o LSI Model R 94251AC020ML 8.57	
L 94251AC030ML 8.57	
<i>Black listed, Order by Application</i>	
4 Plate, Cover R 94253AC000 10.17	
L 94253AC010 10.17	
R 94258AC000 9.53	
L 94258AC010 7.18	
6 Trim, Center	
Base Model R 94216AC740MU 65.85	
L 94216AC750MU 60.88	
GT Model R 94216AC340MU 67.97	
L 94216AC350MU 67.97	
L Model	
Manual Window R 94216AC760MU 60.88	
L 94216AC770MU 60.88	
Power Window R 94216AC020MU 62.27	
L 94216AC030MU 62.27	
LS, LSi Model	
Cloth R 94216AC040MU 62.27	
L 94216AC050MU 62.27	
Leather R 94216AC180RA 199.23	
L 94216AC190RA 199.23	
Outback Model	
w/Limited Model R 94216AC180NH 199.23	
L 94216AC190NH 199.23	
w/o Limited Model R 94216AC360MU 64.70	
L 94216AC370MU 64.70	
<i>Order by Application</i>	
7 Clip, Trim Panel (2/Side) R/L 94269AC000 2.07	
8 Bracket, Trim Panel	
Manual Window R 94259AC040 7.03	
L 94259AC050 7.03	

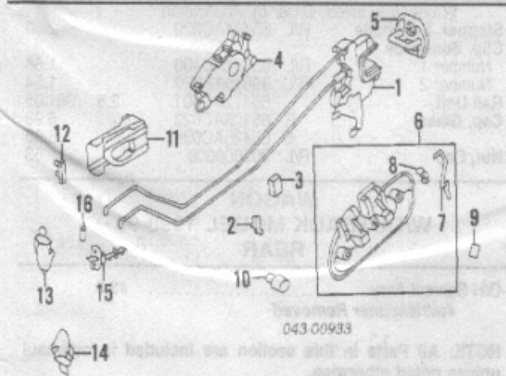
Power Window R 94259AC420 9.95	
L 94259AC430 9.95	
9 Cover, Switch	
Manual Window 95-97 R 94237AC500MU 31.88	
L 94237AC510MU 31.88	
98-99 R 94237AC500ML 25.80	
L 94237AC510ML 25.80	
Power Window 95-97 R 94237AC040MU 20.32	
L 94237AC050MU 20.32	
98-99 R 94237AC041ML 15.55	
L 94237AC051ML 15.55	
<i>Order by Application</i>	
10 Panel, Main Switch	
Right 94267AC120 10.97	
Left	
w/Wood Panel 94110AC750 39.95	
w/o Wood Panel 94267AC030 9.17	
Panel, Sub Switch	
w/Wood Panel R 94110AC760 29.95	
L 94110AC770 29.95	
w/o Wood Panel R 94267AC120 10.97	
L 94267AC130 9.17	
11 Pocket, Door	
Base, L, Outback Model R 94256AC000MU .4 50.62	
L 94256AC010MU .4 50.62	
LS, LSi, GT Model R 94256AC020MU .4 52.38	
L 94256AC030MU .4 52.38	
R 94239AC000MU .3 16.98	
L 94239AC010MU .3 16.98	
12 Handle, Pull R 94266AC101MU 1.83	
L 94266AC101MU 1.83	
<i>Dark Gray listed, Order by Application</i>	
14 Bracket, Pull Handle R/L 94259AC000 4.42	
15 Lamp, Step R 94257AC000 19.95	
L 94257AC010 19.95	
16 W/Strip, Lower R 62715AC000 42.57	
L 62715AC010 42.57	
17 Speaker, Radio Upr 95-97 R H6300AS010 #.2 0.00	
L 86301AC250 #.2 0.00	
98-99 R/L 86301AC800 #.2 50.08	
<i>#w/Trim Panel Removed, Not Included in R&R Trim Panel</i>	
18 Speaker, Radio Lower	
w/Limited Model R 86301AC540 #.2 103.62	
L 86301AC550 #.2 103.62	
w/o Limited Model R 86301AC200 #.2 60.93	
L 86301AC210 #.2 60.93	
<i>Order by Application</i>	
<i>#w/Door Pocket Removed, Not Included in R&R Trim Panel</i>	

HARDWARE

Refinish Outside Handle	R/L	.4	
Refinish Upper Hinge	R/L	.3	
Refinish Lower Hinge	R/L	.3	
R&I Outside Handle	R/L	#1.3	
<i>#Includes R&I/R&R Door Glass & R&I Trim Panel</i>			

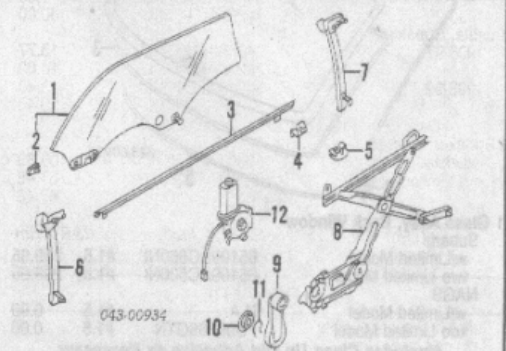
043-00929

1 Latch	
Manual R 62312AC000 #.3 83.65	
L 62312AC010 #.3 83.65	
Power 95 R 62318AC000 #.3 91.42	
L 62318AC010 #.3 91.42	
96-97 R 62318AC000 #.3 91.42	
L 62318AC110 #.3 79.02	
98-99 R 62318AC040 #.3 92.28	
L 62318AC070 #.3 92.28	
<i>Order by Application</i>	
<i>#w/Trim Panel Removed</i>	
2 Clip, Latch Rod (2/Side) R/L 909205040 2.90	
3 Actuator	
w/Security R 62316AC120 #.4 96.68	
L 62316AC130 #.4 96.68	
w/o Security R 62316AC100 #.4 79.70	
L 62316AC110 #.4 122.13	
<i>Order by Application</i>	
<i>#w/Trim Panel Removed</i>	
4 Switch, Actuator R 62317FA002 20.22	
L 62317FA012 14.68	
Cylinder & Key	
w/Security R 57420AC060 #.3 79.95	
L 57420AC070 #.3 79.95	
w/o Security R 57420AC020 #.3 29.95	
L 57420AC030 #.3 29.95	
<i>#w/Trim Panel & Glass Removed, Included in R&R Outside Handle</i>	
5 Striker, Latch 95-96 R/L 62314AC000 .2 10.77	
97-99 R/L 62314FA100 .2 18.15	



<i>043-00933</i>			
2 Clip, Latch Rod (2/Side)	R/L	909205041	3.00
3 Pad, Latch Rod (2/Side)	R/L	62341AC000	2.57
4 Actuator [1] To 8-94	R	62316AC040	#.4 123.35
	L	62316AC150	#.4 84.72
From 9-94			
w/Security	R	62316AC061	#.4 137.07
	L	62316AC071	#.4 119.95
w/o Security	R	62316AC140	#.4 100.73
	L	62316AC150	#.4 84.72
Order by Application			
#w/Trim Panel Removed			
5 Striker, Latch	95-96 R/L	62314AC000	.2 10.77
	97-99 R/L	62314FA100	.2 18.15
6 Handle Assy, Outside [1]			
Base, L Model	R	63410AC000NN	#.3 39.95
	L	63410AC010NN	#.3 39.95
Outback Model w/Limited Model	R	63410AC020DT	#.3 64.95
	L	63450AC030DT	#.3 0.00
w/o Limited Model	R	63410AC000NN	#.3 39.95
	L	63410AC010NN	#.3 39.95
LS, LSi Model	R	63450AC020DT	#.3 0.00
	L	63450AC030DT	#.3 0.00
Blue listed, Order by Application			
#w/Trim Panel & Glass Removed			
7 Rod, Outside Handle (a)	R	63411AC000	4.92
	L	63411AC010	4.92
8 Holder, Outside Handle (a)	R	62412FA020	2.00
	L	62412FA030	2.00
(a) Included w/Outside Handle Assy			
9 Label, Child Lock-See Information Label Section			
10 Stopper, Door Handle, Inside [1]	R/L	60102GA300	64
	R	62510AC000MU	20.22
	L	62510AC010MU	20.22
Dark Gray listed, Order by Application			
12 Holder, Inside Handle	95-98 R/L	62520AC010	1.30
	99 R/L	62520AC000	1.30
13 Hinge, Upper	R	61520AC000	#.2 35.13
	L	61520AC010	#.2 35.13
14 Hinge, Lower	R	61520AC020	#.2 11.33
	L	61520AC030	#.2 11.33
#w/Door Removed, Includes Recauk Edge			
15 Check, Door	95-96 R/L	62090AA011	#.2 55.43
	97-99 R/L	63302AC001	#.2 32.07
#w/Trim Panel Removed			
16 Pin, Door Check Weatherstrip, Door	R/L	60152GA090	4.22
	R	63711AC100	.4 75.97
	L	63711AC110	.4 87.25

GLASS & PARTS



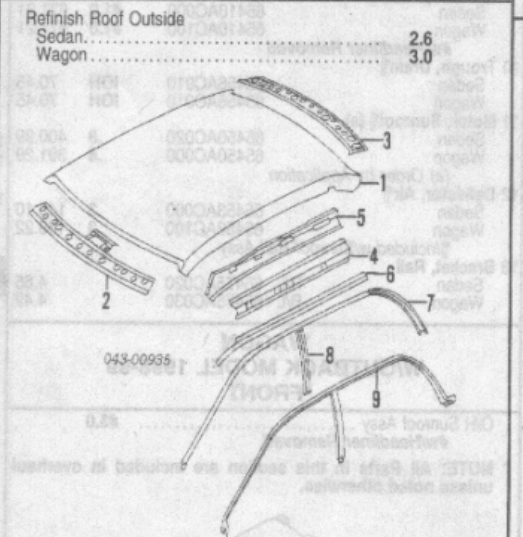
<i>043-00934</i>			
1 Glass Assy, Rear Door			
Subaru			
Sedan			
1995-97	R	63210AC000NE	1.0 119.95
	L	63210AC010NE	1.0 119.95
1998-99			
w/Limited Model	R	63210AC000NE	1.0 119.95
	L	63210AC010NE	1.0 119.95
w/o Limited Model	R	63210AC060NE	1.0 119.95
	L	63210AC070NE	1.0 119.95
Wagon			
1995-97	R	63210AC100NE	1.0 119.95
	L	63210AC110NE	1.0 119.95
1998-99			
w/Sunroof	R	63210AC160NE	1.0 119.95
	L	63210AC170NE	1.0 119.95

w/o Sunroof			
	R	63210AC100NE	1.0 119.95
	L	62210AC010NE	1.0 136.60
NAGS			
Sedan			
Wagon			
1995-97	R/L	FD05362-3GTN	1.0 130.25
1998-99	R/L	FD05357-8GTN	1.0 147.90
w/Sunroof			
	R	FD20269GTN	1.0 258.20
	L	FD20270GTN	1.0 258.20
w/o Sunroof	R/L	FD05357-8GTN	1.0 147.90
	R/L	62250AA000	7.70
Included w/Subaru Rear Door Glass Assy			
3 Moulding, Belt-See Exterior Trim Section			
4 Stabilizer, Glass Outer			
2/Side	R/L	61256FE020	10.45
5 Stabilizer, Glass Inner			
2/Side	R/L	62304FA001	11.25
6 Channel, Front Run			
	R	63300AC000	#.1 32.97
	L	63300AC010	#.1 32.97
7 Channel, Rear Run			
	R	63300AC020	#.1 30.87
	L	63300AC030	#.1 30.87
#w/Glass Removed			
8 Regulator, Glass			
Manual			
	R	63111AC000	#1.2 108.20
	L	63111AC010	#1.2 108.20
Power			
	R	63112AC000	#1.2 108.20
	L	63112AC010	#1.2 108.20
#w/Glass Removed Deduct 1.0			
9 Handle, Regulator			
1995-97 [1]	R/L	62110KA000MU	.1 9.92
1998-99 [1]	R/L	62110KA000ML	.1 9.37
Dark Gray listed, Order by Application			
10 Escutcheon, Handle			
	R/L	761156090	4.28
11 Retainer, Handle			
	R/L	661144060	1.58
12 Motor, Regulator			
	R	85511AC020	#.2 89.95
	L	85511AC030	#.2 89.95
#w/Trim Panel Removed			

ROOF

Use Procedure Explanations 17 and 28 with the following text.

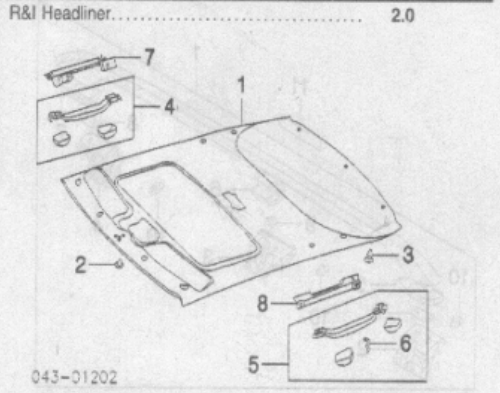
SHEET METAL/EXTERIOR TRIM



Refinish Roof Outside			
Sedan.....			2.6
Wagon.....			3.0
1 Panel, Roof [1]			
Sedan			
w/Sunroof		53600AC080	19.0 299.95
w/o Sunroof			
w/GT Model		53600AC050	18.0 299.95
w/o GT Model		53600AC300	18.0 427.46
Wagon			
w/Sunroof			
w/Outback Model			
w/Limited Model	96-97	53600AC140	20.0 d0.00
	98	53600AC142	20.0 532.53
	99	53600AC430	20.0 655.68
w/o Limited Model	96-97	53600AC330	20.0 d0.00
	98	53600AC332	20.0 508.86
	99	53900AC450	20.0 619.20
w/Outback Model		53600AC010	20.0 299.95
w/o Sunroof			
w/GT Model	95-97	53600AC131	19.0 321.60
	98-99	53600AC131	19.0 321.60
w/o GT Model	95-97	53600AC351	19.0 390.44
	98-99	53600AC351	19.0 390.44
Add'l Parts &/or Dealer Contact Required			
2 Panel, Front Header [1]			
Sedan			
w/Sunroof		53400AC040	1.5 118.27
w/o Sunroof		53400AC010	1.5 137.77
Wagon			
1995-97			
w/Sunroof			
L, LS, LSi Model		53400AC040	1.5 118.27
Outback Model		53400AC010	1.5 137.77
w/o Sunroof			
w/GT Model		53400AC070	1.5 137.95
w/o GT Model		53400AC030	1.5 144.88

1998-99			
w/Sunroof			
w/Outback Model		53400AC010	1.5 137.77
w/o Outback Model		53400AC040	1.5 118.27
w/o Sunroof			
w/Outback Model		53400AC040	1.5 118.27
w/o Outback Model		53400AC070	1.5 137.95
Order by Application			
3 Panel, Rear Header			
Sedan			
		53410AC030	1.5 51.97
Wagon			
		53410AC001	1.5 168.75
4 Rail, Outer Side			
Sedan			
95-96 R		51425AC060	59.07
	L	51425AC071	59.07
97-99 R		51425AC061	59.60
	L	51425AC071	59.07
Wagon			
95-97 R		51425AC041	59.07
	L	51425AC050	59.07
98-99 R		51425AC041	59.07
	L	51425AC051	59.60
5 Rail, Inner Side			
Sedan			
95-96 R		51515AC001	99.15
	L	51515AC011	101.13
97-99 R		51515AC001	99.15
	L	51515AC011	101.13
Wagon			
		51515AC021	19.95
	L	51515AC031	72.47
6 Rail, Drip			
Sedan			
	R	51435AC000	63.82
	L	51435AC010	63.82
Wagon			
	R	51435AC020	63.82
	L	51435AC030	63.82
7 Mldg & Retainer			
Sedan			
	R	62720AC000	.9 237.42
	L	62720AC010	.9 237.42
Wagon			
	R	62720AC100	1.0 237.42
	L	62720AC110	1.0 237.42
8 Retainer, Center			
	R	62722AC000	11.70
	L	62722AC010	11.70
9 Weatherstrip, Side			
Sedan			
	R	62710AC000	.4 146.02
	L	62710AC010	.4 95.48
Wagon			
	R	62710AC100	.4 103.40
	L	62710AC110	.4 115.25

INTERIOR TRIM



R&I Headliner.....				2.0
1 Headliner [1]				
Sedan				
w/Sunroof		94445AC100MS	2.0 169.95	
w/o Sunroof				
Base Model		94445AC000MS	2.0 169.95	
GT Model		94445AC010MS	2.0 169.95	
L Model		94445AC030MS	2.0 169.95	
Wagon				
w/Sunroof		94447AC100MS	2.0 209.95	
w/o Sunroof				
Base Model		94447AC000MS	2.0 189.95	
GT Model		94447AC030MS	2.0 169.95	
L Model		94447AC020MS	2.0 329.95	
Cool Gray listed, Order by Application				
2 Clip, Headliner Front	95-97	94099AA230	.92	
	98-99	95022AC010	1.22	
3 Clip, Headliner Rear [1]		94445AC100MS	169.95	
4 Grip, Right Assist [1]				
1995				
w/Coat Hanger				
Rear				
Fixed		92040FA010MS	.2 16.95	
Retractable		92040FA110MS	.2 29.85	
w/o Coat Hanger				
Front & Rear (2)				
Fixed		92040FA000MS	.2 14.90	
Retractable		92040FA110MS	.2 29.85	
1996-99				
w/L Model		92033AC100MS	.2 6.75	
w/o L Model		92033AC040MS	.2 16.12	
5 Grip, Left Assist [1]				
1995				
Rear				
Fixed		92040FA010EP	.2 17.65	
Retractable		92040FA110EP	.2 29.85	
1996-99				
w/L Model		92033AC100MS	.2 6.75	
w/o L Model		92033AC040MS	.2 16.12	
6 Hanger, Coat [1] (a)				
w/Sunroof				
		92030AC210MS	1.90	
w/o Sunroof				
		92030AC200MS	1.90	

SUBARU LEGACY/OUTBACK 1995-99

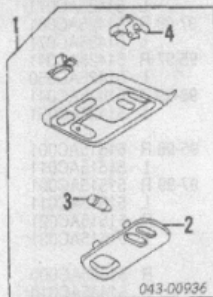
ROOF Cont'd

INTERIOR TRIM Cont'd

¶Cool Gray listed, Order by Application
(a) Included w/Rear Assist Grip

Bracket, Assist Grip			
7 Front	R 92032AC000		13.52
8 Rear	R 92032AC100		13.52
	L 92032AC110		13.52

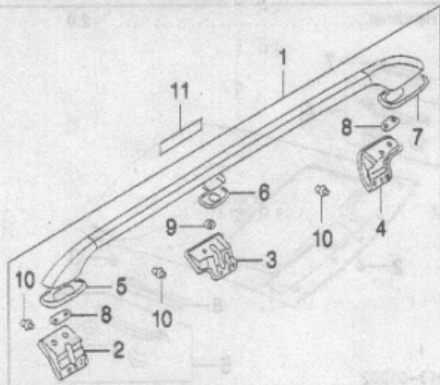
INTERIOR LAMP



1 Lamp Assy, Interior ¶			
w/Outback Model	84621AC000MS	.5	99.98
w/o Outback Model	84621AC020MS	.5	99.98
¶Cool Gray listed, Order by Application			
2 Lens (a)			
w/Outback Model	84910AC320		14.40
w/o Outback Model	84910AC000		14.90
3 Bulb, Interior Lamp (a) (2)			
	784920330		1.95
4 Switch, Sunroof (a)			
	83081AC030		50.97
(a) Included w/Interior Lamp Assy			

ROOF LUGGAGE RACK

R&I Roof Rail Assy	R/L	#4
¶w/Headliner Removed		



043-01205

1 Rail Assy, Roof			
To 6-95	R 91091AC020	#4	229.95
	L 91091AC030	#4	229.95
From 7-95	R 91091AC061	#4	236.70
	L 91091AC071	#4	236.70
¶w/Headliner Removed			
2 Bracket, Rack Front ¶			
	R 91096AC000		10.25
	L 91096AC010		10.25
3 Bracket, Rack Center ¶			
	R 91096AC020		10.25
	L 91096AC030		10.25
4 Bracket, Rack Rear ¶			
	R 91096AC040		10.25
	L 91096AC050		10.25
5 Cushion, Rack Front ¶			
	R 91094AC001		5.20
	L 91094AC011		5.20
6 Cushion, Rack Center ¶			
To 6-95	R 91094AC020		5.00
	L 91094AC030		5.00
From 7-95	R 91094AC081		5.72
	L 91094AC091		6.67
7 Cushion, Rack Rear ¶			
	R 91096AC040		10.25
	L 91096AC050		10.25
8 Washer, Rail Front/Rear ¶			
2/Side	R/L 91094AC060		5.33
9 Washer, Rail Center ¶			
	R/L 91094AC070		2.05
10 Clip, Bracket ¶ (3/Side)			
	R/L 91017GA400		1.76
¶Included w/Roof Rail Assy			
11 Label, Roof Caution-See Information Labels Section			

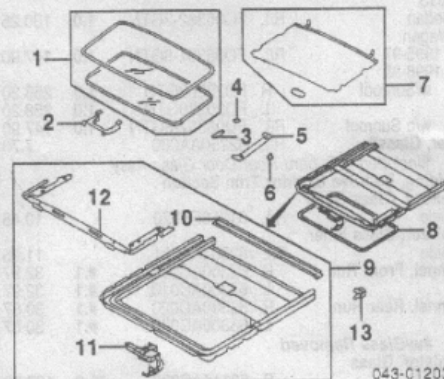
SUNROOF

SEDAN WAGON

W/OUTBACK MODEL 1996-97 W/O OUTBACK MODEL

O/H Sunroof Assy		#3.0
¶w/Headliner Removed		

NOTE: All Parts in this section are included in overhaul unless noted otherwise.



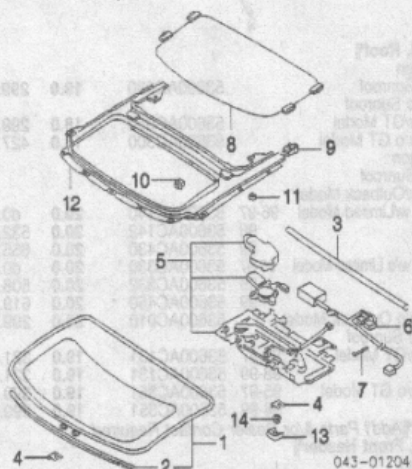
043-01203

1 Glass, Sunroof			
Sedan	95 65430AC000	1.0	522.77
Wagon	96-99 65430AC030	1.0	316.77
	95 65430AC100	1.0	550.00
	96-99 65430AC130	1.0	319.50
2 Bracket, Glass			
Sedan	65475AC000		8.25
Wagon	65475AC010		9.58
3 Shim, Glass Front			
	R/L 65469AC000		1.70
4 Shim, Glass Rear			
	R/L 65469AC010		1.30
5 Cover, Guide Rail			
Sedan	R 65446AC000		17.65
	L 65446AC010		17.65
Wagon	R 65446AC020		16.95
	L 65446AC030		16.95
6 Clip, Cover			
	R/L 65467AC020		1.04
7 Sunshade ¶			
	95 65470AC000MS	.6	329.47
	96-99 65470AC010MS	.6	293.95
	65457AC030MS	.4	42.57
¶Cool Gray listed, Order by Application			
9 Rail Assy, Sunroof			
Sedan	65410AC000	#1.0	671.21
Wagon	65410AC100	#1.0	671.21
¶w/Headliner Removed			
10 Trough, Drain ¶			
Sedan	65456AC010	IOH	70.45
Wagon	65456AC010	IOH	70.45
11 Motor, Sunroof ¶ (a)			
Sedan	65450AC020	.8	400.99
Wagon	65450AC000	.8	391.29
(a) Order by Application			
12 Deflector, Air ¶			
Sedan	65453AC000	.3	143.10
Wagon	65453AC100	.3	138.22
¶Included w/Sunroof Rail Assy			
13 Bracket, Rail			
Sedan	R/L 65475AC020		4.65
Wagon	R/L 65475AC030		4.42

WAGON W/OUTBACK MODEL 1998-99 FRONT

O/H Sunroof Assy		#3.0
¶w/Headliner Removed		

NOTE: All Parts in this section are included in overhaul unless noted otherwise.



043-01204

1 Glass Assy, Sunroof			
	65433AC550	1.0	675.30
2 Seal, Glass Front ¶			
	65444AC000	.2	10.02
¶Included w/Sunroof Glass Assy			
3 Seal, Glass Rear			
	65444AC010		22.07
4 Shim, Glass (5)			
	65469AC040		1.82
5 Motor Unit, Sunroof			
	65420AC010	.7	376.31
6 Control Unit, Sunroof			
	65422AC000		232.12
7 Clip, Control Unit			
	65467AC010		1.52
8 Sunshade ¶			
	65470AC401MS	.3	275.12

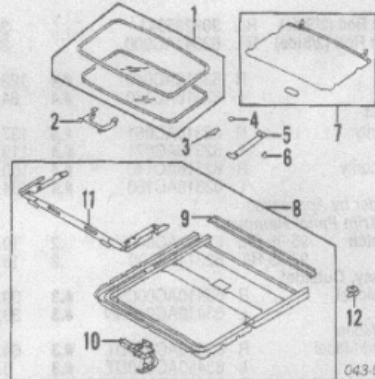
¶Cool Gray listed, Order by Application

9 Stopper, Sunshade		R/L 65494AC320		2.60
Clip, Sunshade				
10 Number 1	R/L	65467AC400		1.68
11 Number 2	R/L	90815AA270		1.54
12 Rail Unit		65411AC501	2.5	361.05
13 Cap, Glass		R 65425AC020		6.98
	L 65425AC030			6.98
14 Nut, Cap		R/L 902600009		.50

WAGON W/OUTBACK MODEL 1998-99 REAR

O/H Sunroof Assy		#2.8
¶w/Headliner Removed		

NOTE: All Parts in this section are included in overhaul unless noted otherwise.



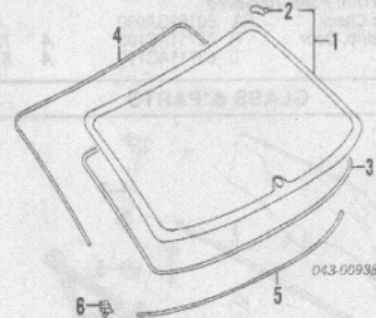
043-00937

1 Glass, Sunroof		65430AC130	1.0	319.50
2 Bracket, Glass				
		N.A.		0.00
3 Shim, Glass Front				
	R/L	65469AC000		1.70
4 Shim, Glass Rear				
	R/L	65469AC030		1.30
5 Cover, Guide Rail				
	R	65446AC500		16.02
	L	65446AC510		16.02
6 Clip, Cover				
	R/L	65467AC020		1.04
7 Sunshade				
		65470AC200MS	.3	374.52
8 Rail Assy, Sunroof				
		65410AC500	2.2	758.14
9 Trough, Drain ¶				
		65456AC200		64.13
10 Motor, Sunroof ¶				
		65450AC500	.7	346.43
11 Deflector, Air ¶				
		65453AC500	.4	111.77
¶Included w/Sunroof Rail Assy				
12 Bracket, Rail				
Number 1	R/L	65475AC200		4.40
Number 2	R/L	65475AC210		4.40

BACK WINDOW

Use Procedure Explanation 19 with the following text.

R&I Back Window Glass		#1.9
¶Includes Clean Up Old Adhesive as Necessary		



043-00938

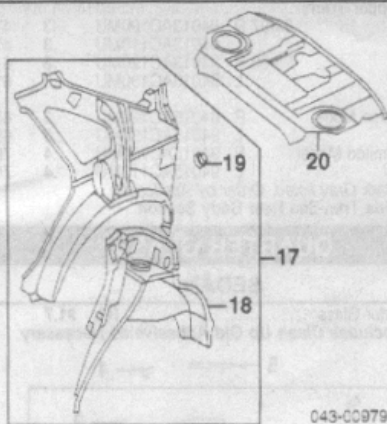
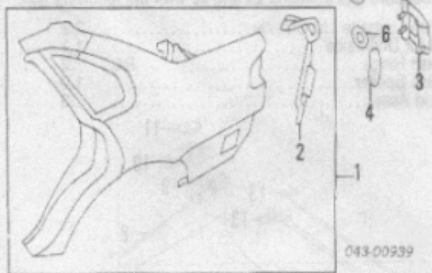
1 Glass Assy, Back Window			
Subaru			
w/Limited Model	65109AC660NI	#1.5	299.95
w/o Limited Model	65109AC500NI	#1.5	299.95
NAGS			
w/Limited Model	N.A.	#1.5	0.00
w/o Limited Model	FB05366GTN	#1.5	0.00
¶Includes Clean Up Old Adhesive as Necessary			
2 Pin, Locator ¶			
	R 65132AC000		4.07
	L 65132AC010		4.07
¶Included w/Subaru Back Window Glass Assy			
3 Dam, Glass			
	95 65121AC000		19.77
	96-99 65121AC020		18.53
4 Moulding, Upper Reveal			
	65123AC000		81.40
5 Moulding, Lower Reveal			
	65123AC010		33.03
6 Stopper, Glass			
	R 65122AC000		2.23
	L 65122AC010		2.23

QUARTER PANEL

Use Procedure Explanations 20 and 28 with the following text.

**SEDAN
SHEET METAL**

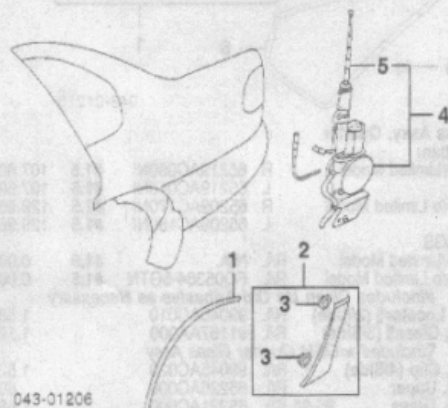
Refinish Outer Panel Assy	R/L	1.9
Add for Pillar	R/L	.5
Add to Edge	R/L	.5
Refinish Outer Extension	R/L	.7
Refinish Fuel Door		#.4
#Included in Refinishing Right Outer Panel Assy		
R&R Both Quarter Panels		26.0
R&R Roof & Both Quarter Panels		
w/Sunroof		36.5
w/o Sunroof		35.5
R&R Rear Body Panel & Both Quarter Panels		27.4
R&R Roof, Both Quarters & Rear Body Panel		
w/Sunroof		37.9
w/o Sunroof		36.9
Add to R&R Quarter Panel		
To R&I Quarter Glass	R/L	.2
To R&I Back Glass		.4



19 Stopper, Luggage Lid Hinge	R/L	57533AA040	4.42
#Included w/Inner Panel Assy			
20 Panel, Package Tray		53105AC010	206.02

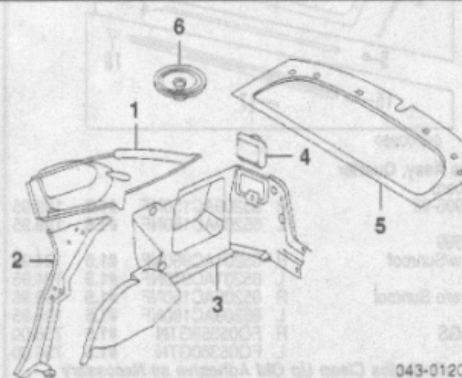
**SEDAN
EXTERIOR TRIM**

Refinish Quarter Front Midg	R/L	.3
R&I Quarter Front Midg	R/L	.2



1 Protector, Wheelarch			
To 11-94	R/L	91071AC001	.2 32.67
From 12-94	R/L	91071AC020	.2 26.88
2 Midg Assy, Quarter Front	R	91131AC000	.2 32.18
	L	91131AC010	.2 32.18
#Dark Gray listed, Order by Application			
3 Clip, Moulding (a) (2/Side)	R/L	91133AC020	2.60
(a) Included w/Quarter Front Moulding Assy			
4 Antenna Assy, Radio		86321AC071	.7 185.00
#Order by Application			
5 Mast, Antenna		86323AC070	.2 51.63
#Included w/Radio Antenna Assy			

**SEDAN
INTERIOR TRIM**



1 Panel, Upper Trim	95-97 R	94014AC100MU	.5 63.83
	L	94014AC110MU	.5 63.83
	98-99 R	94014AC120MU	.5 71.52
	L	94014AC130MU	.5 71.52
2 Panel, Lower Trim			
1995-97	R	94024AC100MU	.4 20.53
	L	94024AC110MU	.4 20.53
1998-99	R	94024AC100ML	.4 32.18
	L	94024AC110ML	.4 32.18

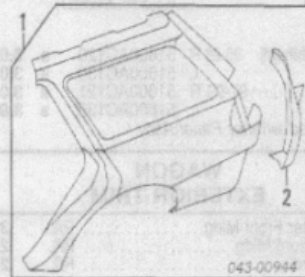
3 Panel, Side Trim-See Rear Body Section			
4 Cover, Side Trim-See Rear Body Section			
5 Trim, Package Tray		65510AC050MU	#.8 119.50

#Dark Gray listed, Order by Application

#Includes R&I Rear Seat Assy, w/Speakers Add .2			
6 Speaker, Radio			
w/Limited Model	R/L	86301AC610	109.83
w/o Limited Model	R/L	86301AC240	25.62

**WAGON
SHEET METAL**

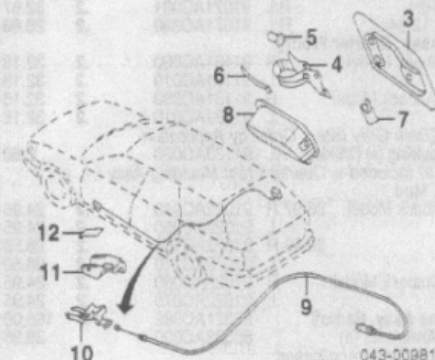
Refinish Outer Panel Assy	R/L	1.9
Add for Pillar	R/L	.5
Add to Edge	R/L	.5
Refinish Fuel Door		#.4
#Included in Refinishing Right Outer Panel Assy		
R&R Both Quarter Panels		23.5
R&R Roof & Both Quarter Panels		
w/Sunroof		36.5
w/o Sunroof		35.5
R&R Rear Body Panel & Both Quarter Panels		26.5
R&R Roof, Both Quarters & Rear Body Panel		
w/Sunroof		39.5
w/o Sunroof		38.5
Add to R&R Quarter Panel		
To R&I Quarter Glass	R/L	.2



1 Panel Assy, Outer (a)			
w/Sunroof	95 R	51410AC531	#13.0 369.96
	L	51410AC550	#12.5 369.96
	96 R	51410AC531	#13.0 369.96
	L	51410AC551	#12.5 399.95
	97-99 R	51410AC531	#13.0 369.96
	L	51410AC552	#12.5 369.96
w/o Sunroof	95 R	51410AC531	#13.0 369.96
	L	51410AC542	#12.5 369.96
	96 R	51410AC531	#13.0 369.96
	L	51410AC542	#12.5 369.96
	97-99 R	51410AC531	#13.0 369.96
	L	51410AC542	#12.5 369.96

(a) Order by Application			
#Deduct 3.5 w/Roof Removed, Deduction Includes Common Surfaces & Included Operations			
2 Panel, End	95-96 R	51410AC121	#2.5 74.95
	L	51410AC131	#2.5 74.95
	99 R	51410AC121	#2.5 74.95
	L	51410AC131	#2.5 74.95

#Included w/Outer Panel Assy #w/Bumper & Rear Lamp Assy Removed

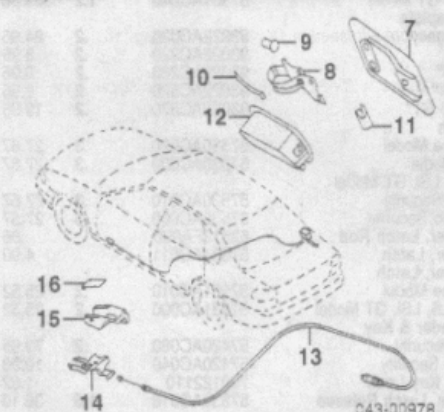


3 Door, Fuel		57601AC010	.3 31.88
4 Hinge, Fuel Door		57610AC000	14.95
5 Stopper, Hinge		57612PA000	1.75
6 Spring, Fuel Door		57651AC030	3.75
7 Striker, Fuel Door		57651AC070	.84
8 Reinf, Fuel Door		51483AC020	24.95
9 Cable, Door Release	95	57330AC020	1.5 36.10
	96-99	57330AC030	1.5 36.10
10 Handle, Pull	95	57340AE020	13.42
	96-99	57340AE050	13.55
11 Cover, Handle	95	57345AA060ML	10.52
	96-99	57345AA070ML	16.50
12 Lever, Release Cable		57346AA020MU	7.03

#Off Black listed, Order by Application

Illustration Located in Next Column			
13 Panel Assy, Inner	95-96 R	51510AC320	s 5.5 399.95
	L	51510AC330	s 5.5 399.95
	97-99 R	51510AC321	s 5.5 399.96
	L	51510AC331	s 5.5 399.96

1 Panel Assy, Outer			
w/Sunroof	95-96 R	51410AC351	#15.0 369.96
	L	51410AC620	#14.5 369.96
	97-99 R	51410AC351	#15.0 369.96
	L	51410AC620	#14.5 369.96
w/o Sunroof	R	51410AC351	#15.0 369.96
	L	51410AC610	#14.5 369.96
#Deduct 5.0 w/Roof Removed, Deduction Includes Common Surfaces & Included Operations			
2 Panel, End	R	51451AC000	#2.5 69.95
	L	51450AC040	#2.5 74.95
#Included w/Outer Panel Assy #w/Bumper & Rear Lamp Assy Removed			
3 Extension, Outer	R	51451AC000	.5 69.95
	L	51451AC130	.5 87.80
4 Protector, Extension	R/L	51496AC000	6.60
5 Seal, Upper	R/L	51495AC000	1.30
6 Seal, Lower	R/L	51495AC010	1.30



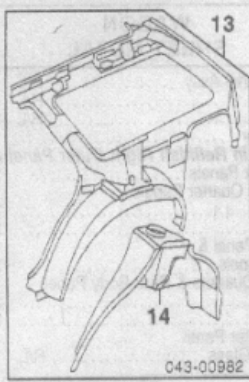
7 Door, Fuel		57601AC010	.3 31.88
8 Hinge, Fuel Door		57610AC000	14.95
9 Stopper, Hinge		57612PA000	1.75
10 Spring, Fuel Door		57651AC030	3.75
11 Striker, Fuel Door		57651AC070	.84
12 Reinf, Fuel Door		51483AC020	24.95
13 Cable, Door Release		57330AC030	1.5 36.10
14 Handle, Pull-See Luggage Lid Section			
15 Cover, Handle-See Luggage Lid Section			
16 Lever, Release Cable-See Luggage Lid Section			

Illustration Located in Next Column

17 Panel Assy, Inner	95-96 R	51510AC281	s 6.5 399.96
	L	51510AC290	s 6.5 399.95
	97-99 R	51510AC281	s 6.5 399.96
	L	51510AC291	s 6.5 399.96
18 Panel Assy, WhlHse	95-96 R	51600AC100	s 4.0 299.98
	L	51600AC110	s 4.0 299.98
	97-99 R	51600AC101	s 4.0 339.68
	L	51600AC110	s 4.0 299.98

QUARTER PANEL Cont'd

WAGON SHEET METAL Cont'd

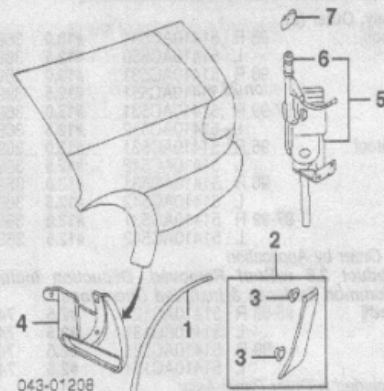


14 Panel Assy, Whlse	95-96 R	51600AC120	s	3.0	299.98
	L	51600AC130	s	3.0	299.98
	97-99 R	51600AC121	s	3.0	339.68
	L	51600AC130	s	3.0	299.98

¶Included w/Inner Panel Assy

WAGON EXTERIOR TRIM

Refinish Quarter Front Mldg	R/L	.3
R&I Quarter Front Mldg	R/L	.2
R&I Mud Guard	R/L	.2



1 Protector, Wheelarch	To 11-94 R/L	91071AC001	.2	32.67
	From 12-94 R/L	91071AC020	.2	26.88
2 Mldg Assy, Quarter Front	w/Outback Model R	91131AC000	.2	32.18
	L	91131AC010	.2	32.18
	w/o Outback Model R	91131AC000	.2	32.18
	L	91131AC010	.2	32.18

¶Dark Gray listed, Order by Application

3 Clip, Moulding (a) (2/Side)	R/L	91133AC020	.2	2.60
-------------------------------	-----	------------	----	------

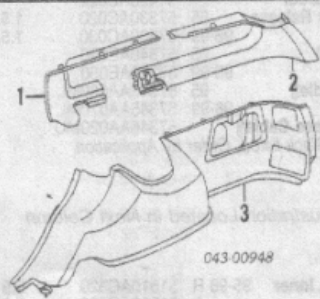
4 Guard, Mud	w/Outback Model	96-97 R	91022AC040	.2	24.95
	L	91022AC050	.2	24.95	
	98-99 R	91022AC100	.2	28.50	
	L	91022AC110	.2	28.50	
	w/o Outback Model R	91022AC060	.2	24.95	
	L	91022AC070	.2	24.95	

5 Antenna Assy, Radio	¶	86321AC082	.7	185.00
6 Mast, Antenna (a)	¶	86323AC030	.7	39.95

¶Order by Application

7 Base, Antenna	¶	86322AC000	.7	5.43
-----------------	---	------------	----	------

WAGON INTERIOR TRIM



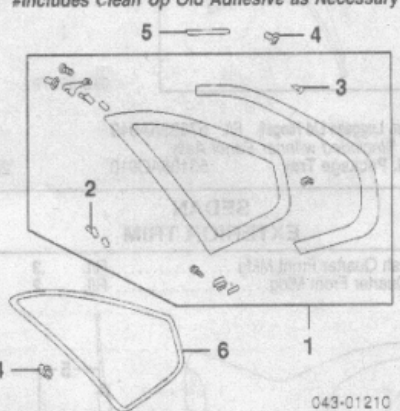
Panel, Upper Trim					
1 Front	95-97 R	94013AC100MU	.3	47.43	
	L	94013AC110MU	.3	47.43	
	98-99 R	94013AC120MU	.3	61.40	
	L	94013AC130MU	.3	61.40	
2 Rear					
w/Limited Model	R	94015AC120MU	.3	68.32	
	L	94015AC130MU	.3	68.32	
w/o Limited Model	R	94015AC100MU	.4	76.70	
	L	94015AC110MU	.4	76.70	

¶Dark Gray listed, Order by Application

QUARTER GLASS

SEDAN

R&I Quarter Glass	R/L	#1.7
-------------------	-----	------



1 Glass Assy, Quarter	Subaru				
	w/Limited Model	R	65219AC000NI	#1.5	107.60
	L	65219AC010NI	#1.5	107.60	
	w/o Limited Model	R	65209AC170NI	#1.5	129.95
	L	65209AC180NI	#1.5	129.95	

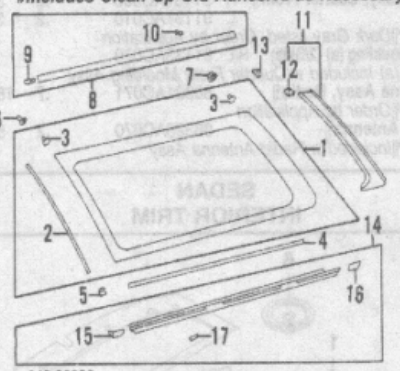
NAGS					
w/Limited Model	R/L	N.A.	#1.5	0.00	
w/o Limited Model	R/L	FQ05364-5GTN	#1.5	0.00	

¶Includes Clean Up Old Adhesive as Necessary

2 Pin, Locator (2/Side)	R/L	99045AC010	1.58
3 Clip, Glass (3/Side)	R/L	91167AA000	1.12
4 Cap, Clip (4/Side)	R/L	99045AC020	1.52
5 Seal, Upper	R/L	65226AC000	.80
6 Dam, Glass	95-96 R/L	65221AC000	7.68

WAGON

R&I Quarter Glass	R/L	#1.7
-------------------	-----	------



1 Glass Assy, Quarter	Subaru				
	1995-98	R	65209AC150NF	#1.5	199.95
	L	65209AC160NF	#1.5	199.95	
	1999	R	65201AC960NF	#1.5	134.95
	L	65201AC970NF	#1.5	134.95	
	w/o Sunroof	R	65209AC150NF	#1.5	199.95
	L	65209AC160NF	#1.5	199.95	
	NAGS	R	FQ05359GTN	#1.5	756.00
	L	FQ05360GTN	#1.5	756.00	

¶Includes Clean Up Old Adhesive as Necessary

2 Garnish, Glass	R	65224AC050	7.87
	L	65224AC060	7.87
3 Clip, Glass (2/Side)	R/L	65225AC030	2.13
4 Dam, Glass Lower (2)		65231AC000	4.82

5 Stopper, Glass Lower	2/Side	R/L	65222AC000	1.94
6 Grommet, Glass	R/L	791017900	1.77	
7 Clip, Glass Upper	R/L	791017980	3.18	

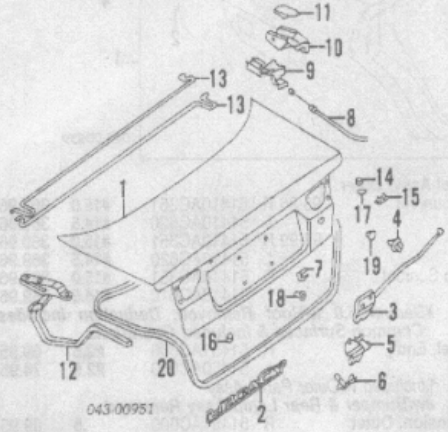
8 Mldg Assy, Upper Reveal					
	w/Outback Model	R	91011AC080	87.00	
	L	91011AC090	87.00		
	w/o Outback Model	R	91011AC000	91.97	
	L	91011AC010	91.97		

9 Guide, Moulding	R	91013AC000	3.55	
	L	91013AC010	3.55	
10 Pin, Moulding	R/L	91014AC030	1.86	
	¶Included w/Upper Reveal Moulding Assy			
11 Mldg Assy, Rear Pillar	R	91012AC000	61.33	
	L	91012AC010	61.33	
12 Clip, Pillar Mldg	4/Side	R/L	91167AA110	.70
	¶Included w/Rear Pillar Moulding Assy			
13 Cap, Nut (4/Side)	R/L	91014AC050	1.86	
14 Moulding Assy, Belt				
	w/Outback, GT Model	R	91011AC100	44.27
	L	91011AC110	44.27	
	w/o Outback, GT Model	R	91011AC120	44.27
	L	91011AC130	44.27	
15 End Cap, Mldg Front (a)	R	91014AC080	4.27	
	L	91014AC090	4.27	
16 End Cap, Mldg Rear (a)	R	91014AC100	4.27	
	L	91014AC110	4.27	
17 Pin, Moulding (a) (3/Side)	R/L	91014AC020	1.86	
	(a) Included w/Belt Moulding Assy			
Decal, Glass				
	"AWD"	R/L	93022AC610	24.95

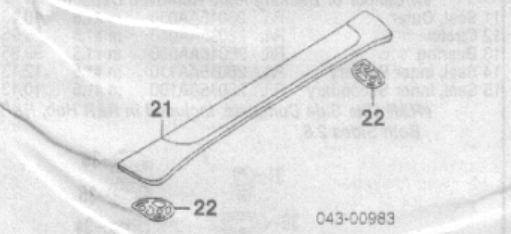
LUGGAGE LID

Use Procedure Explanations 24 and 28 with the following text.

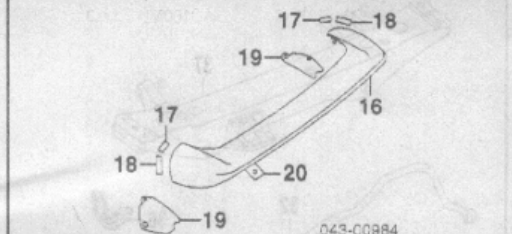
Refinish Luggage Lid Outside	2.2
Add for Underside	1.1
Refinish Hinge	R/L .2
Refinish Spoiler	1.0
R&I Lid Assy	.3



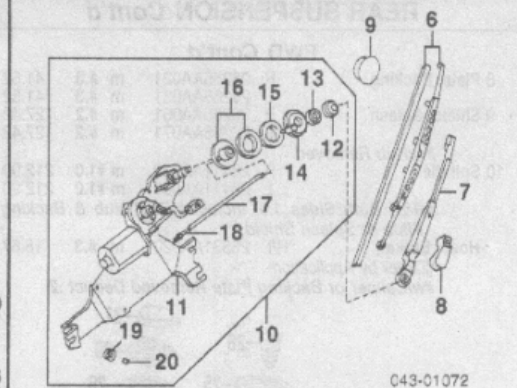
1 Lid, Luggage	w/GT Model	57501AC100	#1.7	369.96	
	w/o GT Model	57501AC040	1.2	369.96	
2 Nameplate					
	"Legacy"	93022AC020	.2	24.95	
	"L"	93022AC220	.2	8.95	
	"LS"	93022AC230	.2	6.95	
	"LSF"	93022AC520	.2	8.95	
	"2.5 GT"	93022AC570	.2	19.95	
3 Latch					
	Base Model	57530AC020	.3	27.67	
	L Model	57530AC000	.3	27.67	
	LS, LSI, GT Model				
	w/Security	57530AC010	.3	27.67	
	w/o Security	57530AC000	.3	27.67	
4 Holder, Latch Rod		62512FA000	.86		
5 Cover, Latch		57534AC011	4.90		
6 Striker, Latch					
	Base Model	57531AC010	.2	25.52	
	L, LS, LSI, GT Model	57531AC000	.2	25.52	
Cylinder & Key					
	w/Security	57420AC080	.2	79.95	
	w/o Security	57420AC040	.2	19.98	
7 Clip, Key Lock		760122110	1.62		
8 Cable, Latch Release		57330AC010	1.5	36.10	
9 Handle, Pull					
	Base Model	57340AE050	.7	13.55	
	L, LS Model	57340AE040	.7	16.98	
10 Cover, Handle		57345AA070ML	.3	16.50	
11 Lever, Release Cable					
	For Luggage Lid	57346AA000ML	.3	5.30	
	For Fuel Door	57346AA010ML	.3	7.60	
	¶Off Black listed, Order by Application				
12 Hinge, Lid					
	R	57520AC000	#3	46.47	
	L	57520AC010	#3	46.47	
	#w/Package Tray Trim & Luggage Lid Removed				
13 Bar, Torsion					
	w/GT Model	R	57521AC080	#6	42.57
	L	57521AC090	#6	42.57	
	w/o GT Model	R	57521AC040	#6	11.25
	L	57521AC050	#6	11.25	
	#R&R Complete				
14 Stopper, Lid Upper	R/L	57533AA010	1.78		
15 Stopper, Lid Lower	R/L	57533AC020	5.33		
16 Stopper, Lid Center	R/L	57533AC040	1.52		
17 Protector, Stopper	R/L	57535AA031	.80		
18 Grommet (2/Side)	R/L	909300006	.64		
19 Plug, Lid	R/L	57536AA040	2.28		
20 Weatherstrip, Lid		57532AC000	.4	59.53	



21 Spoiler GT Model	96054AC050	.5	397.34
22 Gasket, Spoiler GT Model	R 96059AC160 L 96059AC170		11.95 11.95



16 Spoiler GT Model	96-97 96054AC020 98-99 96054AC070NN	#.5 #.5	557.21 0.00
#w/Upper Center & Upper Side Trim Panels Removed			
Tape, Spoiler GT Model			
17 Upper	96-97 R/L 96059AC180 98-99 R/L 96059AC320		1.86 5.73
18 Lower	96-97 R/L 96059AC190 98-99 R/L 96059AC330		2.40 6.45
Protector, Spoiler GT Model			
19 Outer	96-97 R 96059AC100 L 96059AC110 98-99 R 96059AC300 L 96059AC310		22.67 22.67 17.98 17.98
20 Inner	96-97 96059AC080 98-99 96059AC290		15.65 10.29
Grommet, Mounting	R 96059AC200 L 96059AC210		6.45 6.45



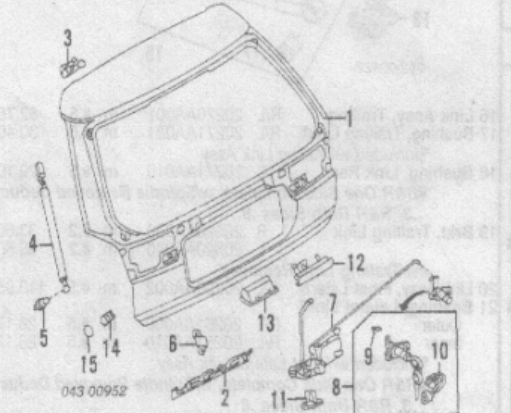
1998-99	86511AC101	#.7	113.87
11 Bracket, Mounting	86544AC010	#.7	10.67
12 Cap, Pivot	86535GA040	#	4.42
13 Nut, Special			
To 2-97	86514AC000	#	2.05
From 3-97	86514AC000	#	2.05
14 Nozzle, Spray	86636AC040	#.2	19.95
15 Cushion, Upper			
To 12-95	86636AC001	#	19.95
From 1-96	86538AC010	#	2.38
16 Cushion, Lower	86640AC040	#	29.95
17 Hose, Rear Wiper	86565GA000	#	4.42
18 Valve, Washer	86639GA170	#	1.82
19 Seal, Rubber (3)	786546000	#	2.77
20 Collar, Seal	786525000	#	1.90

LIFTGATE

Use Procedure Explanations 25 and 28 with the following text.

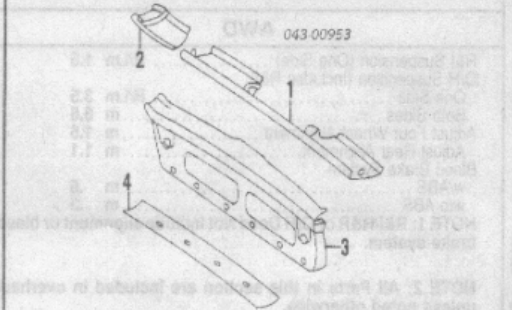
SHEET METAL/EXTERIOR TRIM

Refinish Liftgate Outside	2.7
Add for Underside	1.2
Refinish Hinge	R/L .2
Refinish Spoiler	1.0
R&I Liftgate Assy	.5
R&I Outside Handle	.5
Add to R&R Liftgate To Transfer Glass	.8



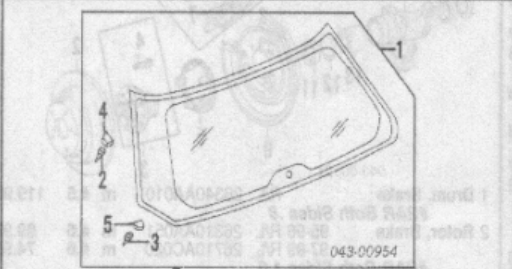
1 Shell, Liftgate w/GT Model	61700AC090	#5.0	408.33
#Includes R&R Spoiler			
w/o GT Model	61700AC010	4.5	392.86
2 Nameplate "Legacy"			
w/Outback Model	93022AC620	.2	24.95
w/o Outback Model	93022AC020	.2	24.95
"Brighton"	93022AC550	.2	2.87
"L"	93022AC220	.2	8.95
"LS"	93022AC230	.2	6.95
"LS"	93022AC250	.2	8.95
"Outback"	93022AC781	.2	26.95
"2.5 GT"			
w/Limited Model	93023AC050	.2	29.95
w/o Limited Model	93022AC570	.2	19.95
3 Hinge #w/Liftgate Removed	R/L 61820FC100	#.2	21.88
4 Stay, Prop	95 R 60330AC001 L 60330AC011	.3	52.95 52.95
96-99 R	60311AC020	.3	52.95
L	60311AC030	.3	52.95
5 Ball, Stud	R/L 62351AA010		14.42
6 Buffer, Liftgate	R 60112GA020 L 60112GA030	.1	20.18 20.18
7 Latch & Actuator			
w/Security	60320AC021	.4	170.23
w/o Security	60320AC001	.4	170.23
#Order by Application			
Latch, Manual	60320AC011	.3	68.10
8 Cylinder & Key Assy			
w/Security	57420AC090	.3	79.95
w/o Security	57420AC050	.3	30.25
9 Holder, Rod	900080010		1.10
10 Switch, Lock			
w/Security	88211AC020		85.08
#Included w/Cylinder & Key Assy			
11 Striker, Latch	95-97 60301FC000 98-99 60301FC000	.2	11.82 11.82
12 Handle, Outside	62150AA211	.5	11.27
13 Handle, Inside	62150AA220		7.75
14 Stopper, Liftgate	R/L 60301AC000		9.20
15 Protector, Stopper	R/L 57253AA031		.59
Weatherstrip, Gate Opening	62714AC020	.4	111.33

INTERIOR TRIM



1 Panel, Uptr Ctr Trim	94017AC100MU	.2	32.53
2 Panel, Uptr Side Trim	R 94017AC120MU L 94017AC130MU	.2	34.77 34.82
3 Panel, Liftgate Trim 1995-97	94027AC100MU	.3	131.25
1998-99	94027AC101MU	.3	93.13
4 Panel, Lower Trim	R 95023AC100MU L 95023AC110MU	.2	12.38 12.38

GLASS & PARTS



1 Glass Assy, Liftgate Subaru	60201AC081NI	2.5	416.58
NAGS			
w/Limited Model	N.A.	2.5	0.00
w/o Limited Model	FB05361GTY	2.5	1128.90
2 Clip, Glass Upper	R 60223AC010 L 60223AC010		1.98 1.98
3 Clip, Glass Lower	R/L 60223AC000		1.98
4 Holder, Glass Upper	R 60222AC000 L 60222AC010		8.57 8.57
5 Holder, Glass Lower	R 60222AC020 L 60222AC030		9.58 9.58

#Included w/OEM Liftgate Glass Assy
Illustration Located in Next Column

6 Blade, Rear Wiper	86542AA050	#.1	d0.00
7 Arm, Rear Wiper	86532AC290	#.2	30.95
8 Cap, Arm	86538AA010	#	4.13
9 Plug	86515AC000	#	4.37
10 Motor Assy, Rear Wiper			
1995-97			
To 10-94	86511AC040	#.7	d0.00
From 11-94	86511AC101	#.7	113.87

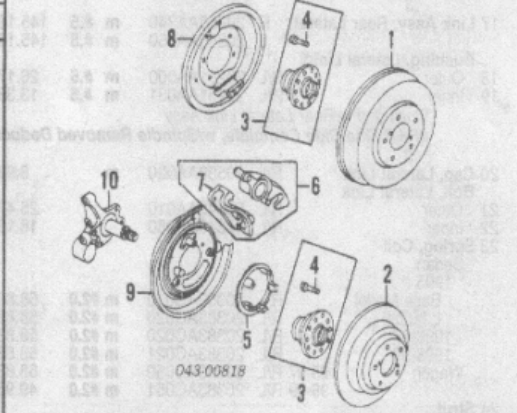
REAR SUSPENSION

Use Procedure Explanation 23 with the following text.

FWD

R&I Suspension (One Side)	R/Lm	1.5
O/H Suspension (Includes R&I)		
One Side	R/Lm	3.0
Both Sides	m	5.6
Adjust Four Wheel Alignment	m	1.6
Adjust Rear Alignment	m	1.1
Bleed Brake System		
w/ABS	m	.6
w/o ABS	m	.3

NOTE 1: R&I/R&R or O/H Does Not include alignment or bleed brake system.
NOTE 2: All Parts in this section are included in overhaul unless noted otherwise.



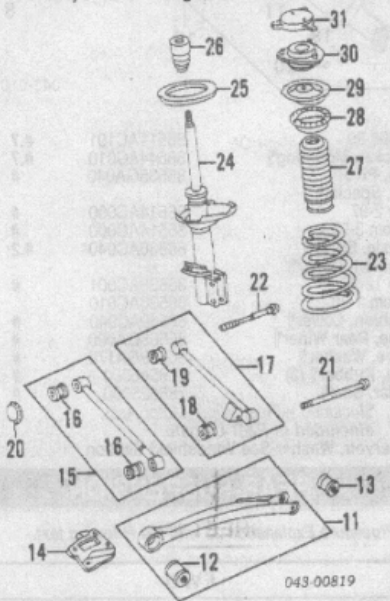
1 Drum, Brake	R/L 26340AA010	m #.5	119.95
#R&R Both Sides .8			
2 Rotor, Brake	95-96 R/L 26310AA051 97-99 R/L 26710AC020	m #.6	69.95 74.95
#R&R Both Sides 1.0			
3 Hub & Bearing Assy	R/L 28063AA000	m #.6	119.95
#R&R Both Sides 1.0, Includes R&R Drum or Rotor			
4 Stud, Wheel	R/L 28055AA002	m	2.95
#Included w/Hub & Bearing Assy			
5 Rotor, ABS Sensor	R/L 26750AA014	m #.6	80.85
#Order by Application			
#Included in R&R Hub Sensor, ABS-See ABS/Brakes Section			
6 Caliper Assy, Brake			
Sedan	R 26291AA060 L 26291AA070	m #.5	169.95 169.95
Wagon	R 26291AA080 L 26291AA090	m #.5	169.95 169.95
7 Support, Caliper	R/L 26226PA020	m #.5	140.50
#Included w/Brake Caliper Assy			
#R&R One Side Complete, R&R Both Sides .8, w/Rotor Removed Deduct .3			

SUBARU LEGACY/OLEGACY 1995-99

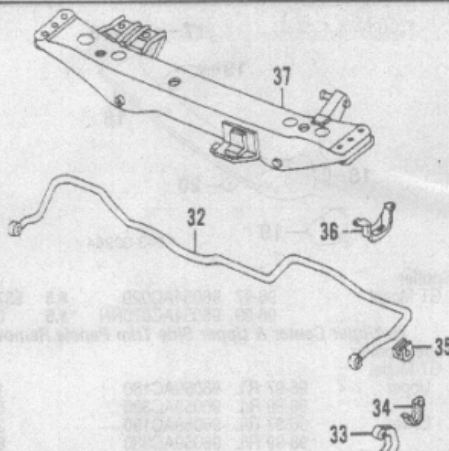
REAR SUSPENSION Cont'd

FWD Cont'd

8 Plate, Backing	R	26255AA021	m #.3	41.52
	L	26255AA031	m #.3	41.52
9 Shield, Splash	R	26255AA061	m #.2	127.42
	L	26255AA071	m #.2	127.42
#w/Hub Removed				
10 Spindle	R	28411AA020	m #1.0	212.90
	L	28411AA030	m #1.0	212.90
#R&R Both Sides 1.8, Includes R&R Hub & Backing Plate or Splash Shield Hose, Brake				
	R/L	26531AA020	m #.3	18.67
†Order by Application				
#w/Caliper or Backing Plate Removed Deduct .2				



11 Link Assy, Trailing	R/L	20270AA001	m #.5	82.75	
12 Bushing, Trailing Arm	R/L	20271AA021	m #.5	30.40	
†Included w/Trailing Link Assy					
13 Bushing, Link Rear	R/L	20271AA010	m #.5	29.10	
#R&R One Side Complete, w/Spindle Removed Deduct .3					
14 Bracket, Trailing Link	R	20520AA030	m #.2	33.60	
	L	20520AA040	m #.2	33.60	
#w/Trailing Link Removed					
15 Link Assy, Front Lateral	R/L	20250AA012	m #.5	119.95	
16 Bushing, Lateral Link	R/L	20251AA000	m #.5	26.17	
†Included w/Front Lateral Link Assy					
#R&R One Side Complete, w/Spindle Removed Deduct .3					
17 Link Assy, Rear Lateral	R	20255AA340	m #.5	145.18	
	L	20255AA350	m #.5	145.18	
Bushing, Lateral Link					
18 Outer	R/L	20251AA000	m #.5	26.17	
19 Inner	R/L	20251AA031	m #.5	13.38	
†Included w/Rear Lateral Link Assy					
#R&R One Side Complete, w/Spindle Removed Deduct .3					
20 Cap, Lateral Link Bolt, Lateral Link	R/L	20530AA020	m	8.98	
21 Outer	R/L	20540AA010		25.47	
22 Inner	R/L	20540AA050		16.12	
Spring, Coil					
Sedan					
1995					
Base Model	R/L	20383AC010	m #2.0	58.83	
L Model	R/L	20383AC020	m #2.0	58.83	
1996-97	R/L	20383AC020	m #2.0	58.83	
1998-99	R/L	20383AC021	m #2.0	58.83	
Wagon	95-97	R/L	20383AC050	m #2.0	58.83
	98-99	R/L	20383AC051	m #2.0	49.95
Strut					
Sedan					
24	R	20363AC600	m #2.0	104.95	
	L	20363AC610	m #2.0	104.95	
Wagon					
	R	20363AC700	m #2.0	104.95	
	L	20363AC710	m #2.0	104.95	
25 Pad, Spring Lower	R/L	20375AA002	m #2.0	13.15	
26 Bumper, Stop	R/L	20371AC001	m #2.0	28.70	
27 Boot, Dust	R/L	20372AA000	m #2.0	13.13	
28 Pad, Spring Upper	R/L	20375AC030	m #2.0	16.95	
Seat, Spring-Serviced w/Strut Mount					
30 Mount, Strut	R	20370AC220	m #2.0	73.98	
	L	20370AC230	m #2.0	73.98	
#R&R One Side Complete, R&R Both Sides 3.8, w/Spindle Removed Deduct 1.2					
31 Cap, Mount Strut	R/L	20327AC000		6.87	



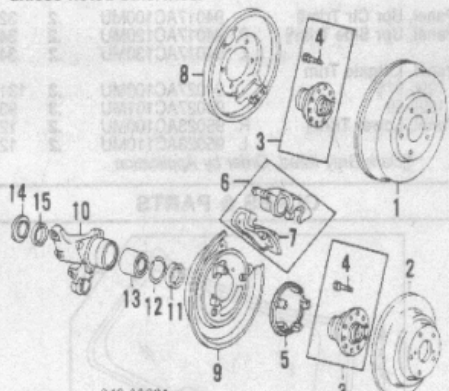
32 Bar, Stabilizer		20450AC000	m #.6	160.20
#Not Included in O/H				
33 Link, Stabilizer	R/L	20481AA001	m #.3	94.32
34 Clamp, Stabilizer	R/L	20402AA000	m #.3	8.98
35 Bushing, Stabilizer	R/L	20401FA010	m #.3	3.92
36 Bracket, Stabilizer	R	20520AA001	m #.3	16.23
	L	20520AA011	m #.3	16.23
#R&R One Side Complete, Not Included in O/H, Included in R&R Stabilizer Bar				
37 Crossmember		20150AC130	m #4.0	249.95
#Not Included in O/H				

AWD

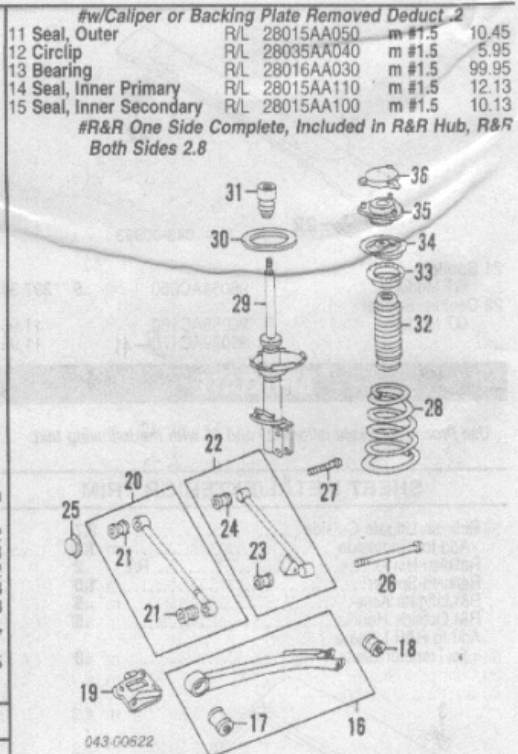
R&I Suspension (One Side)	R/Lm	1.5
O/H Suspension (Includes R&I)		
One Side	R/Lm	3.5
Both Sides		6.6
Adjust Four Wheel Alignment		1.6
Adjust Rear Alignment		1.1
Bleed Brake System		
w/ABS		.6
w/o ABS		.3

NOTE 1: R&I/R&R or O/H Does Not include alignment or bleed brake system.

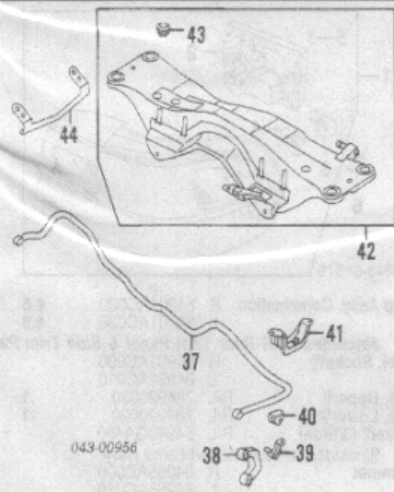
NOTE 2: All Parts in this section are included in overhaul unless noted otherwise.



1 Drum, Brake	R/L	26340AA010	m #.5	119.95
#R&R Both Sides .8				
2 Rotor, Brake	95-96	R/L	26310AA051	m #.6
	97-99	R/L	26710AC020	m #.6
#R&R Both Sides 1.0				
3 Hub & Bearing Assy	R/L	28052AA031	m #1.5	150.83
#Includes R&R Spindle, Seals, Bearings & Drum or Rotor, R&R Both Sides 2.8				
4 Stud, Wheel	R/L	28055AA002	m	2.95
†Included w/Hub & Bearing Assy				
5 Rotor, ABS Sensor	R/L	26750AA014	m #1.5	80.85
#Included in R&R Hub, R&R Both Sides 2.8				
Sensor, ABS-See ABS/Brakes Section				
Caliper Assy, Brake				
Sedan				
	R	26291AA060	m #.5	169.95
	L	26291AA070	m #.5	169.95
Wagon				
	R	26291AA080	m #.5	169.95
	L	26291AA090	m #.5	169.95
	R/L	26226PA020	m #.5	140.50
Support, Caliper				
†Included w/Brake Caliper Assy				
#R&R One Side Complete, R&R Both Sides .8, w/Rotor Removed Deduct .3				
8 Plate, Backing	R	26255AA021	m #.3	41.52
	L	26255AA031	m #.3	41.52
9 Shield, Splash	R	26255AA061	m #.2	127.42
	L	26255AA071	m #.2	127.42
#w/Hub Removed				
10 Spindle	R	28411AA000	m #1.5	141.25
	L	28411AA010	m #1.5	141.25
#Included in R&R Hub, R&R Both Sides 2.8				
Hose, Brake	R/L	26531AA020	m #.3	18.67
†Order by Application				



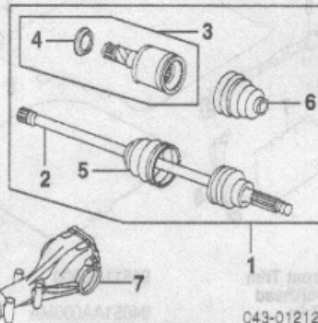
16 Link Assy, Trailing	R/L	20270AA001	m #.5	82.75
17 Bushing, Trailing Link	R/L	20271AA021	m #.5	30.40
†Included w/Trailing Link Assy				
18 Bushing, Link Rear	R/L	20271AA010	m #.5	29.10
#R&R One Side Complete, w/Spindle Removed Deduct .3, R&R Both Sides .8				
19 Brkt, Trailing Link	R	20520AA030	m #.2	33.60
	L	20520AA040	m #.2	33.60
#w/Trailing Link Removed				
20 Link Assy, Front Lateral	R/L	20250AA002	m #.5	119.95
Bushing, Lateral Link				
Outer	R/L	20251AA000	m #.5	26.17
Inner	R/L	20251AA010	m #.5	26.17
†Included w/Front Lateral Link Assy				
#R&R One Side Complete, w/Spindle Removed Deduct .3, R&R Both Sides .8				
22 Link Assy, Rear Lateral	R	20255AA330	m #.5	151.25
	L	20255AA310	m #.5	151.25
Bushing, Lateral Link				
23 Outer	R/L	20251AA000	m #.5	26.17
24 Inner	R/L	20251AA021	m #.5	10.58
†Included w/Rear Lateral Link Assy				
#R&R One Side Complete, w/Spindle Removed Deduct .3, R&R Both Sides .8				
25 Cap, Lateral Link	R/L	20530AA020	m	8.98
26 Bolt, Lateral Link Otr	R/L	20540AA000		25.47
27 Bolt, Lateral Link Inr	R/L	20540AA111		3.22
Spring, Coil				
Sedan				
L Model	R/L	20383AC110	m #2.0	58.83
LS Model	R/L	20383AC120	m #2.0	58.83
LSI, GT Model	R/L	20383AC300	m #2.0	58.83
Wagon				
L Brighton Model	R/L	20383AC140	m #2.0	58.83
LS Model	R/L	20383AC150	m #2.0	58.83
LSI, GT Model	R/L	20383AC350	m #2.0	58.83
Outback Model	R/L	20383AC200	m #2.0	58.83
†Order by Application				
Strut				
w/Outback Model	95-96	R	20363AC201	m #2.0
		L	20363AC211	m #2.0
	97-99	R	20363AC221	m #2.0
		L	20363AC231	m #2.0
w/o Outback Model		R	20363AC000	m #2.0
		L	20363AC010	m #2.0
30 Pad, Spring Lower	R/L	20375AA002	m #2.0	13.15
Bumper, Stop				
w/Outback Model	96-97	R/L	20371AC010	m #2.0
	98-99	R/L	20371AC010	m #2.0
w/o Outback Model		R/L	20371AC001	m #2.0
32 Boot, Dust	R/L	20372AA000	m #2.0	13.13
33 Pad, Spring Upper	R/L	20375AC030	m #2.0	16.95
Seat, Spring Upper-Serviced w/Strut Mount				
34 Mount, Strut	R	20370AC201	m #2.0	68.80
	L	20370AC211	m #2.0	70.65
#R&R One Side Complete, w/Spindle Removed Deduct 1.2, R&R Both Sides 3.8				
36 Cap, Strut Mount	R/L	20327AC000		6.87



REAR DRIVE AXLE

R&I Axle Shaft Assy (One Side) R/Lm #.7
 O/H Axle Shaft Assy (Includes R&I) R/Lm #1.5
 #w/Spindle Removed Deduct .5
NOTE 1: R&I/R&R or O/H Does Not include adjust wheel alignment.

NOTE 2: All Parts in this section are included in overhaul unless noted otherwise.

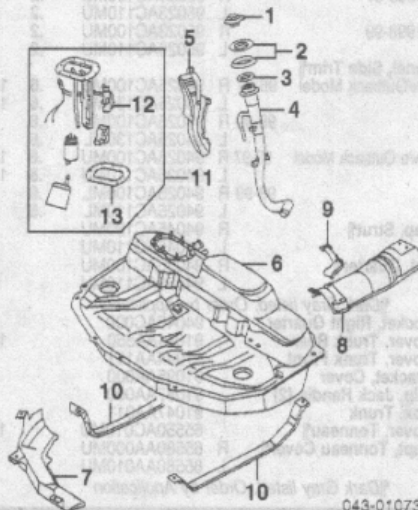


1 Shaft Assy, Axle	R	28021AC111	m #.7	299.95
	L	28021AC121	m #.7	299.95
2 Shaft, Axle †	R	28091FC080	m #1.5	239.95
	L	28091FC100	m #1.5	239.95
#w/Spindle Removed Deduct .5				
3 Joint Assy, Inner	R/L	28092AC010	m #1.5	171.70
1995-97				
1998-99				
Man Trans	R/L	28092AC000	m #1.5	171.70
Auto Trans	R/L	28092AC010	m #1.5	171.70
4 Plate, Baffle † (a)	R/L	23233GA091	m #1.5	5.95
(a) Included w/Inner Joint Assy				
5 Boot, Outer †	R/L	28023AA120	m #1.5	12.65
6 Boot, Inner †	R/L	28023AA130	m #1.5	12.92
†Included w/Axle Shaft Assy				
#R&R One Side Complete, w/Spindle Removed Deduct .5				
7 Differential †				
Man Trans				
w/Outback Model		27011AA342R1	m #	R460.74
w/o Outback Model		27011AA332R1	m #	R460.74
Auto Trans				
w/GT Model		27011AA412R1	m #	R460.74
w/o GT Model		27011AA342R1	m #	R460.74
†Order by Application				
#Not Included in O/H				

FUEL TANK

R&I Fuel Tank
 FWD m 1.5
 AWD m #5.1
#Includes R&I/R&R Suspension Crossmember

NOTE: R&I/R&R Does Not include drain fuel.



1 Cap, Filler		95-97	42032AC000	13.95
		98-99	42032FC000	19.95
2 Ring, Retaining			42056AA010	2.75
3 Gasket, Cap			42060GA081	7.33
4 Pipe, Filler †				
1995-97				
1998-99				
2.2L Eng			42066FA030	109.17
FWD			42066FA030	109.17
AWD			42066AC150	111.77
2.5L Eng			42066AC130	115.03
†Order by Application				
5 Protector, Pipe				
Sedan			42061AA000	7.08
Wagon			42061AA060	26.17

6 Tank, Fuel †				
1995-97				
FWD			42120AA130	m 1.8 438.61
AWD			42120AC040	m #5.4 369.95
#Includes R&R Suspension Crossmember				
1998				
2.2L Eng				
FWD			42120AC040	m 1.8 369.95
AWD			42120AC080	m #5.4 369.95
#Includes R&I/R&R Suspension Crossmember				
2.5L Eng				
FWD			42120AC050	m 1.8 369.95
AWD			42120AC090	m #5.4 299.50
1999				
†Order by Application				
#Includes R&I/R&R Suspension Crossmember				
7 Protector, Tank				
FWD			42061AA052	23.92
AWD	R		42061AA041	18.88
	L		42061AA031	19.80
8 Shield, Heat				
FWD			42030AA090	95.63
AWD			42030AA080	95.48
9 Brkt, Heat Shield				
FWD			42050AA241	30.63
AWD			42026AC090	18.53
10 Strap, Tank Support Otr				
FWD				
	R		42172AA001	72.57
	L		42172AA020	74.50
AWD	R		42172AA161	75.77
	L		42172AA181	84.60
11 Pump/Sender Assy, Fuel †				
FWD			42021AC001	m .7 279.95
AWD			42021AC121	m .7 279.95
†Order by Application				
12 Sender, Fuel Gauge † (a)				
FWD			85111AC051	m .7 69.95
AWD			85111AC003	m .7 69.95
(a) Order by Application				
13 Gasket, Fuel Sender †				
			42060AA040	m 9.22
†Included w/Fuel Pump/Sender Assy				

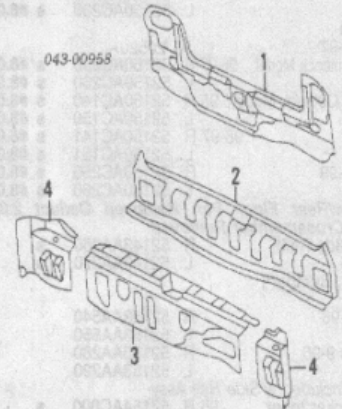
REAR BODY

Use Procedure Explanations 26 and 28 with the following text.

SHEET METAL

Refinish Rear Body Panel Complete		
Sedan		1.5
Wagon		1.5
Complete8
Outer8
Center8
Side	R/L	.4
Refinish Rear Floor Pan		1.0

043-00958

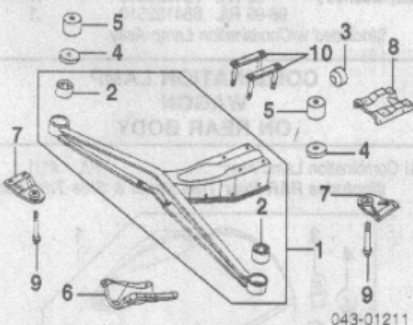


Panel, Rear Body			
1 Sedan		52410AC040	#6.0 169.95
#Deduct 2.3 for Each Outer Panel Assy Removed, Deduction Includes Common Surfaces & Included Operations			
Wagon			
2 Outer		52420AC000	#5.0 99.98
#w/Each Side Panel Removed Deduct .5			
3 Inner Center		52410AC121	#3.0 99.98
#w/Outer Removed			
4 Inner Side	R	52410AC100	1.5 99.98
	L	52410AC110	1.5 99.98

Illustration Located in Next Column

5 Pan Assy, Rear Floor		52110AA360	#12.0 333.58
#w/Rear Body Panel Removed, Deduct 2.0 for Each Inner Wheelhouse Removed			
6 Bracket, Net †	R/L	52153AC110	3.98
†Included w/Rear Floor Pan Assy			
7 Extension, Rear Floor			
Sedan	95-96 R	52120AA110	#1.0 78.63
	L	52120AA120	#1.0 78.63
	97-99 R	52120AA110	#1.0 78.63
	L	52120AA121	#1.0 61.35
Wagon	R	52120AC030	#1.0 60.90
	L	52120AC041	#1.0 60.90
#w/Outer Panel Assy Removed			

DIFFERENTIAL MOUNTING



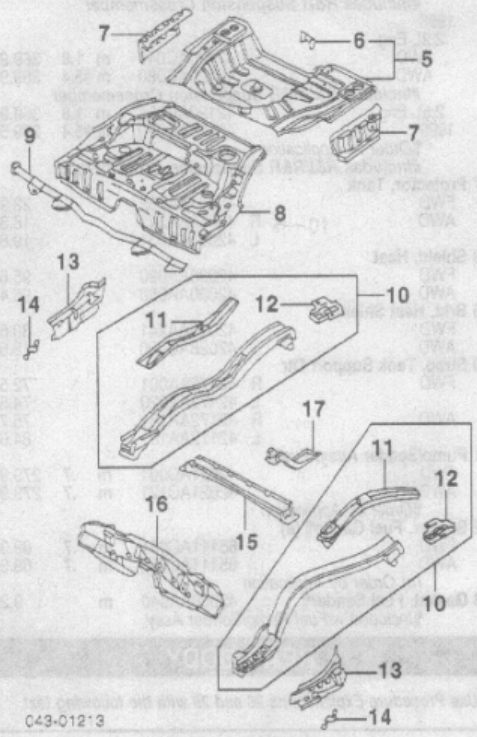
043-01211

1 Crossmember Assy, Diff †				
1995-97				
1998				
w/SUS			41310AC100	m 2.2 291.35
w/o SUS			41310AC110	m 2.2 197.62
1999				
2.2L Eng			41310AC110	m 2.2 197.62
2.5L Eng			41310AC100	m 2.2 291.35
2 Bushing, Mtg Front †	R/L		41322AA010	m 44.82
†Included w/Differential Crossmember Assy				
3 Bushing, Mtg Rear	R/L		41322AC040	m 43.13
4 Stopper, Differential				
w/Outback Model	R/L		41324AC030	m 17.65
w/o Outback Model	R/L		41324AC020	m 16.90
5 Cover, Stopper	R/L		41337AC010	m 9.48
6 Cover, Diff †	R/L		41325AC051	m 22.82
7 Brkt, Front Mtg				
w/Outback Model	R/L		41321AC020	m 16.32
w/o Outback Model	R/L		41321FA040	m 16.00
8 Brkt, Rear Mtg			41321AA060	m 23.67
9 Bolt, Flange				
w/Outback Model	R/L		41332AC000	m 6.05
w/o Outback Model	R/L		41332AA010	m 7.58
10 Plate, Mounting	95-96 R/L		41323AA001	m 17.35
	97-99 R/L		41323AA001	m 17.35

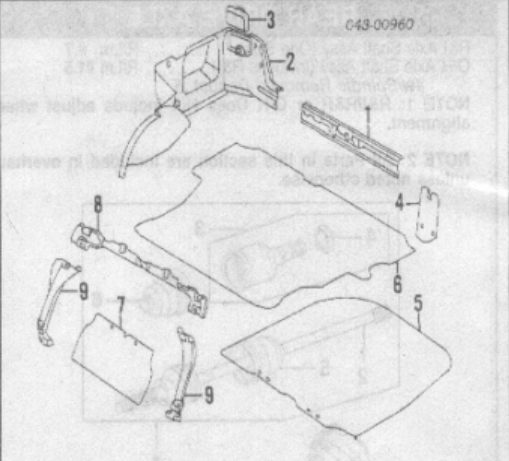
SUBARU LEGACY/OUTBACK 1995-99

REAR BODY Cont'd

SHEET METAL Cont'd

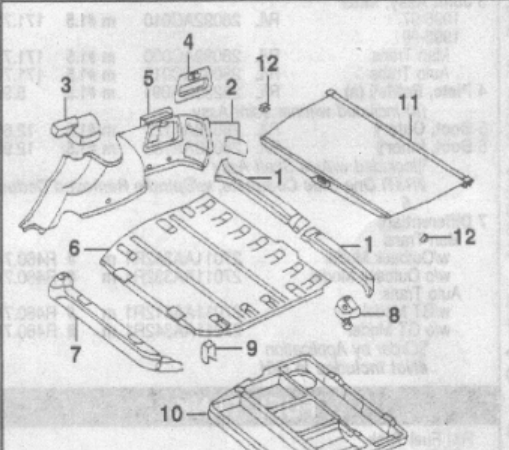


8 Pan, Center Floor-Not Serviced			
9 Guard Pipe, Rear Floor	50816AC050		59.98
10 Rail Assy, Side Sedan			
95 R	52150AC120	s #8.0	274.95
L	52150AC130	s #8.0	274.95
96-97 R	52150AC121	s #8.0	d.00
L	52150AC131	s #8.0	d.00
98-99 R	52150AC270	s #8.0	249.95
L	52150AC280	s #8.0	249.95
Wagon			
1995-97			
w/Outback Model			
96-97 R	52150AC250	s #8.0	249.95
L	52150AC260	s #8.0	249.95
w/o Outback Model			
95 R	52150AC140	s #8.0	149.95
L	52150AC150	s #8.0	249.95
96-97 R	52150AC141	s #8.0	d.00
L	52150AC151	s #8.0	d.00
1998-99			
R	52150AC250	s #8.0	249.95
L	52150AC260	s #8.0	249.95
#w/Rear Floor Pan Removed Deduct 2.0, w/Floor Crossmember Removed			
11 Reinf, Side Rail			
R	52143AA260	s	78.75
L	52143AA270	s	66.02
12 Bracket, Bumper			
Sedan			
To 8-96			
R	52153AA540		29.95
L	52153AA550		29.95
From 9-96			
R	52153AA280		0.00
L	52153AA290		259.33
¶Included w/Side Rail Assy			
13 Ext, Rocker Inner			
95 R	52154AC000	s	74.47
L	52154AC011	s	74.47
96-99 R	52154AC002	s	72.17
L	52154AC012	s	72.17
14 Separator, Side Sill			
R	52157AC000		16.90
L	52157AC010		16.90
15 Crossmember, Floor			
95	52140AA150		193.37
96	52140AA150		193.37
97-99	52140AA152		165.00
¶Order by Application			
16 Crossmember, Center-Not Serviced			
17 Bracket, Spare Tire	52150AA140		33.65



7 Panel, Front Trim Panel, Bulkhead	94511AC000	.2	23.43
8 Upper Trim	94051AA000MA		60.20
9 Side Trim	R 94051AA020MA		28.45
	L 94051AA030MA		28.45

INTERIOR TRIM WAGON



1 Panel, Rear Trim			
1995-97	R 95023AC100MU	.2	12.38
L	95023AC110MU	.2	12.38
1998-99	R 95023AC100MU	.2	12.38
L	95023AC110MU	.2	12.38
2 Panel, Side Trim			
w/Outback Model			
96-97 R	94025AC100MU	.6	151.45
L	94025AC130MU	.6	129.68
98-99 R	94025AC100ML	.6	91.30
L	94025AC130ML	.6	91.30
w/o Outback Model			
95-97 R	94025AC100MU	.6	151.45
L	94025AC110MU	.6	151.45
98-99 R	94025AC100ML	.6	91.30
L	94025AC110ML	.6	91.30
3 Cap, Strut			
R	94045AC100MU		14.18
L	94045AC110MU		14.18
4 Lid, Quarter			
R	94056AC100MU		20.40
L	94056AC110MU		32.30
¶Dark Gray listed, Order by Application			
5 Pocket, Right Quarter	94046AC000		29.85
6 Cover, Trunk Rear	91044AA550		186.15
7 Cover, Trunk Front	91044AA151		71.55
8 Bracket, Cover	910395AA000		4.98
9 Clip, Jack Handle (2)	91087AA000		2.52
10 Box, Trunk	91047AA011		72.27
11 Cover, Tonneau	65550AC010MU		118.95
12 Supt, Tonneau Cover	R 65580AA000MU		2.23
L	65580AA010MU		2.23
¶Dark Gray listed, Order by Application			

INTERIOR TRIM SEDAN

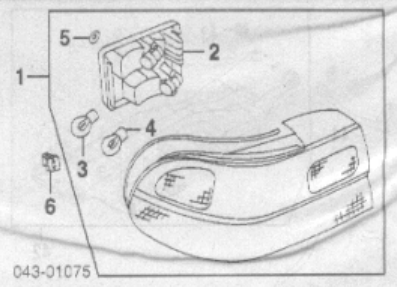
Illustration Located in Next Column

1 Panel, Rear Trim	94511AC400MA	.2	60.65
2 Panel, Side Trim	R 94511AC200MA	.3	125.32
	L 94511AC210MA	.3	125.32
3 Cover, Side Trim	R 94516AC500		7.88
	L 94516AC510		7.88
4 Cover, Jack	94516AC000MA		14.95
5 Cover, Trunk Center	91046AC030		67.83
6 Mat, Floor			
L, LS, LSI Model	94512AC110MA		102.73
GT, Outback Model	94512AC120MA		90.85

REAR LAMPS

COMBINATION LAMP SEDAN ON REAR BODY

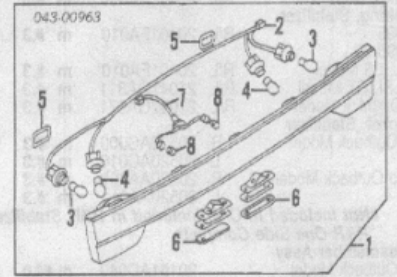
R&I Combination Lamp Assy	R/L	#.8	
¶Includes R&R Rear Trim Panel & Side Trim Panel			



1 Lamp Assy, Combination	R 84201AC020	#.8	129.95
	L 84201AC030	#.8	129.95
¶Includes R&R Rear Trim Panel & Side Trim Panel			
2 Panel, Socket	R 84931AC000		58.05
	L 84931AC010		34.07
3 Bulb, Upper	R/L 784920030	.1	1.95
4 Bulb, Lower	R/L 784920020	.1	1.95
5 Gasket (3/Side)	R/L 84940GA460		1.72
¶Included w/Combination Lamp Assy			
6 Grommet	R 84965AC000		2.10
	L 84965AC010		2.10

COMBINATION LAMP SEDAN ON LUGGAGE LID

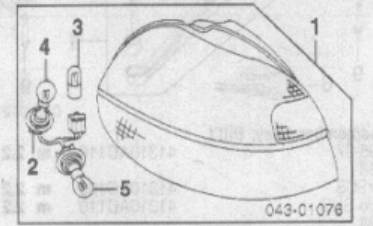
R&I Combination Lamp Assy	#.3	
¶Included in R&R Luggage Lid		



1 Lamp Assy, Combination	84251AC010	#.3	299.95
1995			
¶Included in R&R Luggage Lid			
2 Socket w/Wire			
1996-99	R/L 84251AC080	.3	299.95
96-99 R/L	84931AC070		19.08
R/L	84931AC200		15.95
3 Bulb, Outer	R/L 784920030	.1	1.95
4 Bulb, Inner	R/L 784920020	.1	1.95
5 Gasket	95 R/L 84940AC010		4.27
	96-99 R/L 84940AC160		20.38
6 Lens, License	R/L 84910AC010		3.40
7 Socket w/Wire	95 84931AC040		29.95
	96-99 84931AC210		24.98
8 Bulb, License	95 R/L 784920080	.1	1.50
	96-99 R/L 684102510	.1	1.50
¶Included w/Combination Lamp Assy			

COMBINATION LAMP WAGON ON REAR BODY

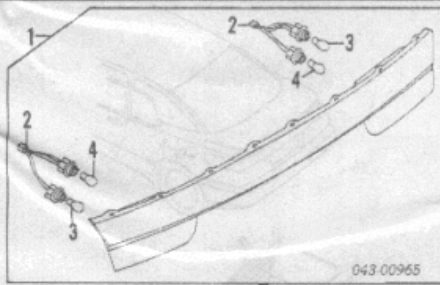
R&I Combination Lamp Assy	R/L	#1.1	
¶Includes R&R Rear Trim Panel & Side Trim Panel			



1 Lamp Assy, Combination	R 84201AC081	#1.1	129.95
	L 84201AC091	#1.1	129.95
¶Includes R&R Rear Trim Panel & Side Trim Panel			
2 Socket w/Wire	R/L 84931AC160		20.40
3 Bulb, Upper Outer	R/L 684102510	.1	1.50
4 Bulb, Lower Inner	R/L 784920020	.1	1.95
5 Bulb, Lower	R/L 784920030	.1	1.95
¶Included w/Combination Lamp Assy			

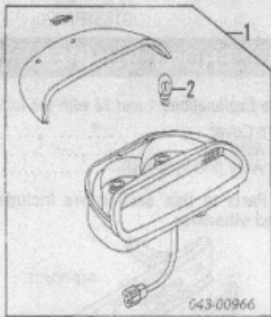
COMBINATION LAMP WAGON ON LIFTGATE

R&I Combination Lamp Assy	#1.0	
¶Includes R&I Trim Panel & R&R/Wiper Motor		



1 Lamp Assy, Combination	84251AC070	#1.0	229.95
*Includes R&I Trim Panel & R&I/R&R Wiper Motor			
2 Socket w/Wire†	95 R/L 84931AC110		12.80
	96-99 R/L 84931AC180		15.95
3 Bulb, Outer†	R/L 784920030	.1	1.95
4 Bulb, Inner†	R/L 784920020	.1	1.95
†Included w/Combination Lamp Assy			

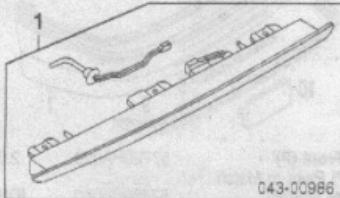
**STOP LAMP HIGH MOUNT
SEDAN
ON PACKAGE TRAY**



1 Lamp Assy, Stop†	84701AC000MU	.3	89.95
†Dark Gray listed, Order by Application			
2 Bulb (a)	84920AA020	.2	1.95
(a) Included w/Stop Lamp Assy			

**STOP LAMP HIGH MOUNT
SEDAN
ON SPOILER**

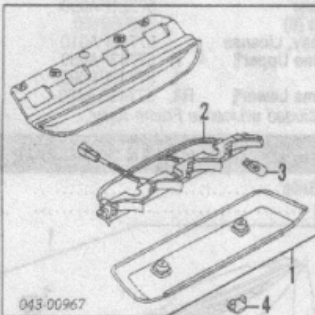
R&I Stop Lamp #.3
*Included in R&R Spoiler



1 Lamp, Stop	84701AC040	#.3	319.95
*Included in R&R Spoiler			

**STOP LAMP HIGH MOUNT
WAGON**

R&I Stop Lamp #.3
*Included in R&R Liftgate



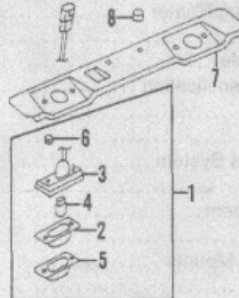
1 Lamp Assy, Stop	84701AC030MU	#.3	99.95
	1995-96†		
	84701AC080MU	#.3	59.95
†Dark Gray listed, Order by Application			
*Included in R&R Liftgate			
2 Panel, Socket (b)	84931AA160		22.10
3 Bulb (b) (4)	84920AA020	.2	1.95
(b) Included w/Stop Lamp Assy			
4 Cap, Lamp† (2)	84956AC010MU		1.98
†Dark Gray listed, Order by Application			

**LICENSE LAMP
SEDAN**

Lamp, License-Serviced w/Combination Lamp on Luggage Lid

**LICENSE LAMP
WAGON**

R&I License Lamp Assy R/L #.3
*Included in R&R Liftgate



1 Lamp Assy, License†	R/L 84301AA050	#.3	29.53
†Order by Application			
*Included in R&R Liftgate			
2 Lens†	R/L 84910AA080		2.95
3 Gasket†	R/L 84940AA030		1.80
4 Bulb†	R/L 684102510	.1	1.50
5 Cover, Lamp†	R/L 84953AA020		3.75
6 Spacer† (2/Side)	R/L 84937AA010		7.25
†Included w/License Lamp Assy			
7 Bracket, Lamp	84927AC020		19.95
8 Grommet	R/L 909210220		1.86

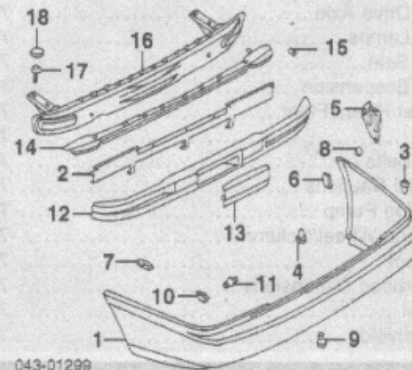
REAR BUMPER

Use Procedure Explanations 27 and 28 with the following text.

**SEDAN
W/OUTBACK MODEL**

Refinish Rear Cover	2.0
R&I Bumper Assy	1.1
O/H Bumper Assy (Includes R&I)	1.6

NOTE: All Parts in this section are included in overhaul unless noted otherwise.

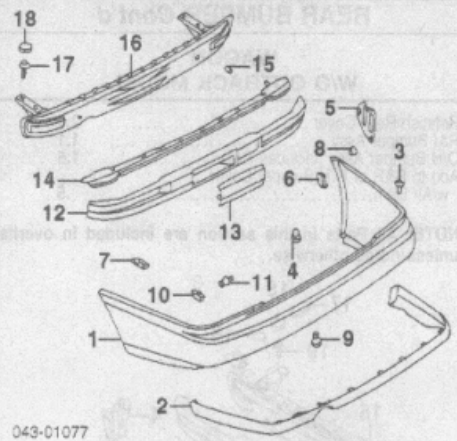


1 Cover, Rear (P)	57730AC170	1.6	299.95
(P) Paint to Match			
2 Retainer, Lower	57722AC160		199.98
3 Clip, Cover Upper (16)	57728AC090		.80
4 Clip, Cover Lower (12)	57728AC090		.80
5 Brkt, Cover Front Upr	R 57724AC140	IOH	12.95
	L 57724AC150	IOH	12.95
6 Brkt, Cover Front Lwr	R/L 57724AC080		3.60
7 Brkt, Cover Rear	R 57724AC450		9.95
	L 57724AC460		9.95
8 Grommet (3/Side)	R/L 909300015		1.70
9 Bolt, Lower (9)	047406166		1.16
10 Slider, Bumper Side	R/L 57724AC120		3.60
11 Pin, Guide	R/L 57714AC030		3.85
12 Absorber, Impact	57721AC100	IOH	64.95
13 Absorber, Center Impact	57721AC040	IOH	129.95
14 Retainer, Upper	57732AC090	IOH	149.95
15 Cap, Bumper (2/Side)	R/L 57738AC000		1.80
16 Bar, Reinforcement	57722AC170	IOH	199.98
17 Bolt & Washer (2/Side)	R/L 901120047		2.53
18 Plug (2/Side)	R/L 909400006		.40

**SEDAN
W/O OUTBACK MODEL**

Refinish Rear Cover	2.0
R&I Bumper Assy	1.1
O/H Bumper Assy (Includes R&I)	1.6
Add to R&R or O/H Rear Cover w/Air Dam	.5

NOTE: All Parts in this section are included in overhaul unless noted otherwise.

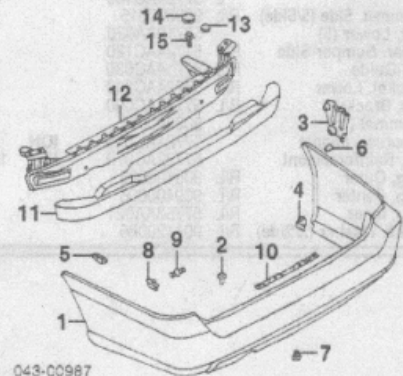


1 Cover, Rear (P)	57730AC060	1.6	229.95
(P) Paint to Match			
2 Dam, Lower Air	E5618AC000	.5	35.00
3 Clip, Cover Upper (10)	57750AA090		1.92
4 Clip, Cover Lower	R/L 57728AC090		.80
5 Brkt, Cover Front Upr	R 57724AC140	IOH	12.95
	L 57724AC150	IOH	12.95
6 Brkt, Cover Front Lwr	R/L 57724AC080		3.60
7 Brkt, Cover Rear	R 57724AC450		9.95
	L 57724AC460		9.95
8 Grommet (3/Side)	R/L 909300015		1.70
9 Bolt, Lower (5)	57719AA020		1.54
10 Slider, Bumper Side	R/L 57724AC120		3.60
11 Pin, Guide	R/L 57714AC030		3.85
12 Absorber, Impact	57721AC010	IOH	64.95
13 Absorber, Center Impact	57721AC040	IOH	129.95
14 Retainer, Upper	57732AC090	IOH	149.95
15 Cap, Bumper (2/Side)	R/L 57738AC000		1.80
16 Bar, Reinforcement	57722AC060	IOH	199.98
17 Bolt & Washer (2/Side)	R/L 901120047		2.53
18 Plug (2/Side)	R/L 909400006		.40

**WAGON
W/OUTBACK MODEL**

Refinish Rear Cover	2.0
R&I Bumper Assy	1.1
O/H Bumper Assy (Includes R&I)	1.6

NOTE: All Parts in this section are included in overhaul unless noted otherwise.



1 Cover, Rear (P)	57730AC090	1.6	229.95
(P) Paint to Match			
Pad, Step "OUTBACK"	E7710AS010	#.2	55.34
*Not Included in O/H			
2 Clip, Bumper (12)	57728AC090		.80
3 Brkt, Cover Front			
3 Upper	R 57724AC160	IOH	12.95
	L 57724AC170	IOH	12.95
4 Lower	R 57724AC350		15.95
	L 57724AC360		15.95
5 Brkt, Cover Rear			
To 9-95	R 57724AC450		9.95
	L 57724AC460		9.95
From 10-95	R 57724AC450		9.95
	L 57724AC460		9.95
6 Grommet, Side (5/Side)	R/L 909300015		1.70
7 Bolt, Lower (3)	57719AA020		1.54
8 Slider, Bumper Side	R/L 57724AC120		3.60
9 Pin, Guide	R/L 57714AC030		3.85
10 Brkt, Cover/Reinf Bar	57723AC130		34.50
11 Absorber, Impact	57721AC060	IOH	64.95
12 Bar, Reinforcement	57722AC170	IOH	199.98
13 Plug, Outer	R/L 909400005		.94
14 Plug, Inner	R/L 909400006		.40
15 Bolt & Washer (2/Side)	R/L 901120086		4.37